

CZ-10

Reflective Sensor Head, Spot Type, Compact, Straight



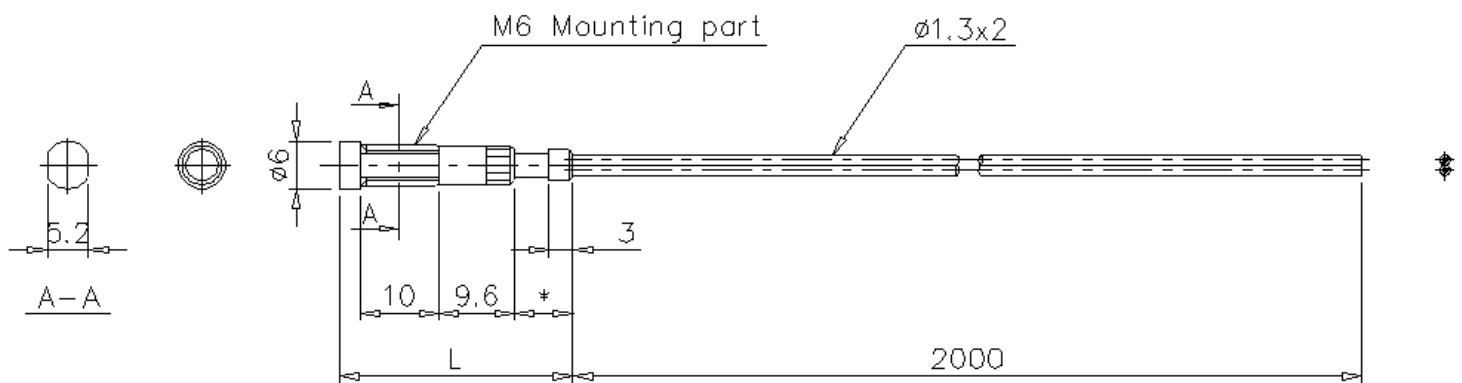
Specifications

Model	CZ-10	
Type	Reflective (Small size adjustable spot)	
Detecting area	10 to 30 mm 0.39" to 1.18"	
Smallest spot diameter	0.9 to 3.5 mm dia. 0.04" to 0.14"	
Allowable bending radius	R25 mm R0.98"	
Cable length	2 m (free-cut) 6.6'	
Environmental resistance	Enclosure rating	IP40
	Ambient temperature	-40 to +70 °C -40 to 158 °F (No freezing)
	Relative humidity	35 to 85 % RH (No condensation)
Material	Fiber: Plastic (Polyethylene sheathed)	
Case material	Lens case: Aluminium, Fibre case: Stainless steel	
Weight	Approx. 5 g	

Dimensions

* Download CAD file or product manual for larger image/text and more detail.

CZ-10



L: Lens unit length

*: Adjustable part