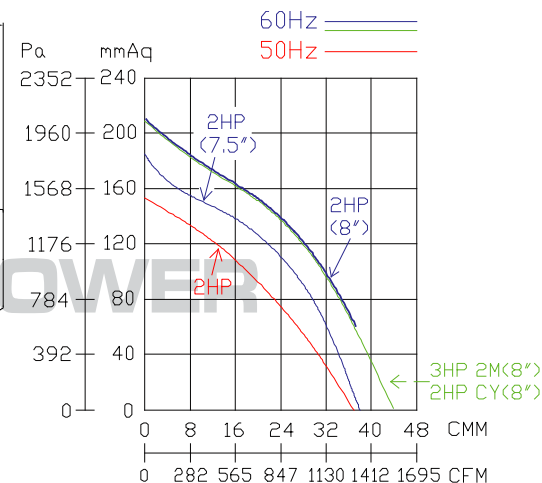
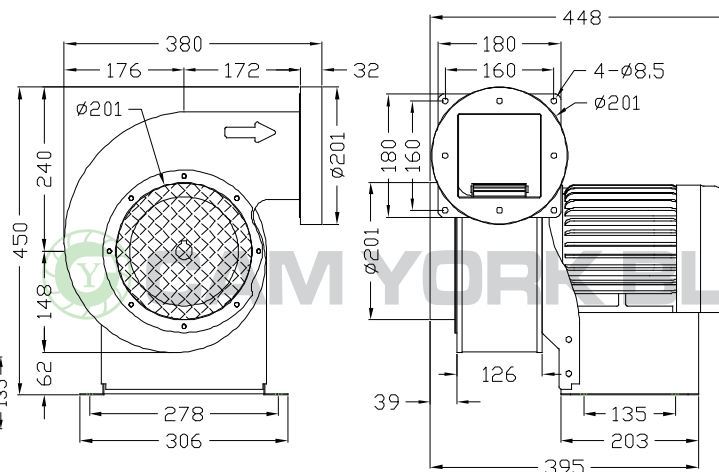
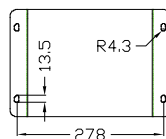


CY200 Specification Sheet

- * Made In Taiwan
- * Insulation Cl. : E / F
- * Inverter Ready: 3 Phase, F, Optional

Unit: mm



Model	Rated Voltage	Frequency	Phase	Pole	Current	Power	Speed	Max. Air Flow			Max. Pressure			Weight
	V							Hz	Ø	P	A	Watt/HP	R.P.M.	
CY200	220	50	1	2	8	2 HP	2850	37	2220	1306	152	5.98	1491	31
		60			10			3380	44	2640	1553	214	8.43	
	220/380	50	3	2	CY 6.1 / 3.3	2 HP	2850	37	2220	1306	152	5.98	1491	30
		60			CY 6.8 / 4.2			3380	44	2640	1553	214	8.43	
		60			5.3 / 3	空吹2HP-7.5"	3450	38	2280	1341	185	7.28	1814	
		60			8 / 4.7	3 HP	3480	44	2640	1553	214	8.43	2099	



CAM YORK INDUSTRIAL CO.,LTD.

No. 9, Ln. 308, Jinzhou Rd., Wufeng Dist., Taichung City
41350, Taiwan

TEL:04-23322627
FAX:04-23322629
E-mail: blower-cy@umail.hinet.net
http://www.blower.com.tw/