



# ISO/VDMA Cylinder Series C95




ø32, ø40, ø50, ø63, ø80, ø100

Conforming to ISO 6431/CETOP RP43P/VDMA 24562



CJ1
CJP
CJ2
CM2
CG1
MB
MB1
CA2
CS1
C76
C85
<b>C95</b>
CP95
NCM
NCA
D-
-X
20-
Data

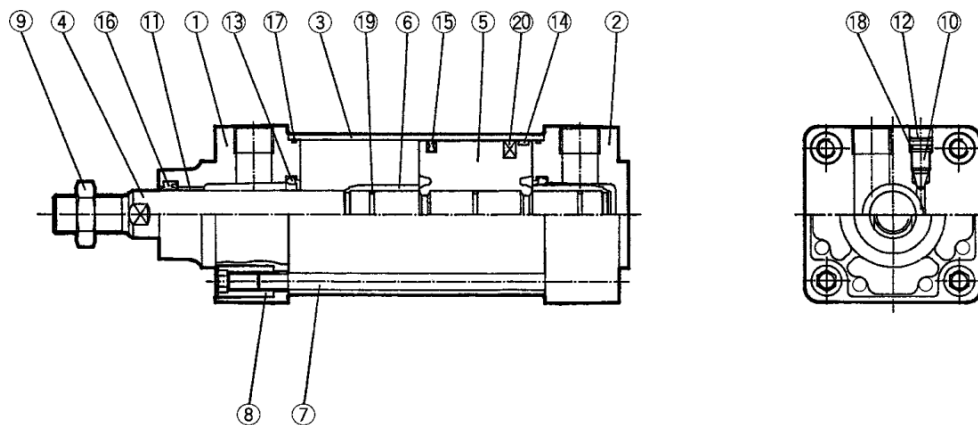
## Series Variations

Series	Action	Type		Basic	Standard variations		Option Heat resistant	Bore (mm)	Page
					Built-in magnet	Stainless steel rod			
<b>Standard</b> <i>Series C95</i> 	Double acting	Single rod	Non-lube	●	●	●	32, 40 50, 63 80, 100	6-12-2	
		Double rod	Non-lube	●	●	●			
<b>Non-rotating Rod</b> <i>Series C95K</i> 	Double acting	Single rod	Non-lube	●	●	(Standard)	32, 40 50, 63 80, 100	6-12-12	
		Double rod	Non-lube	●	●	(Standard)			
<b>With Lock</b> <i>Series C95N</i> 	Double acting	Single rod	Non-lube	●	●		32, 40 50, 63 80, 100	6-12-19	

# Series C95

## Construction

[First angle projection]



### Component Parts

No.	Description	Material	Note
①	Rod cover	Aluminum die-casted	
②	Head cover	Aluminum die-casted	
③	Cylinder tube	Aluminum alloy	
④	Piston rod	Carbon steel	
⑤	Piston	Aluminum alloy	
⑥	Cushion ring	Brass	
⑦	Tie-rod	Carbon steel	
⑧	Tie-rod nut	Steel	
⑨	Rod end nut	Steel	
⑩	Cushion valve	Steel wire	
⑪	Bushing	Lead-bronze casted	
⑫	Snap ring	Steel for spring	ø40 to ø100
⑬	Cushion seal	Urethan rubber	

No.	Description	Material	Note
⑭	Wearing	Resin	
⑮	Piston seal	NBR	
⑯	Rod seal	NBR	
⑰	Cylinder tube gasket	NBR	
⑱	Cushion valve seal	NBR	
⑲	Piston gasket	NBR	
⑳	Magnet		

### Replacement Parts: Seal Kit

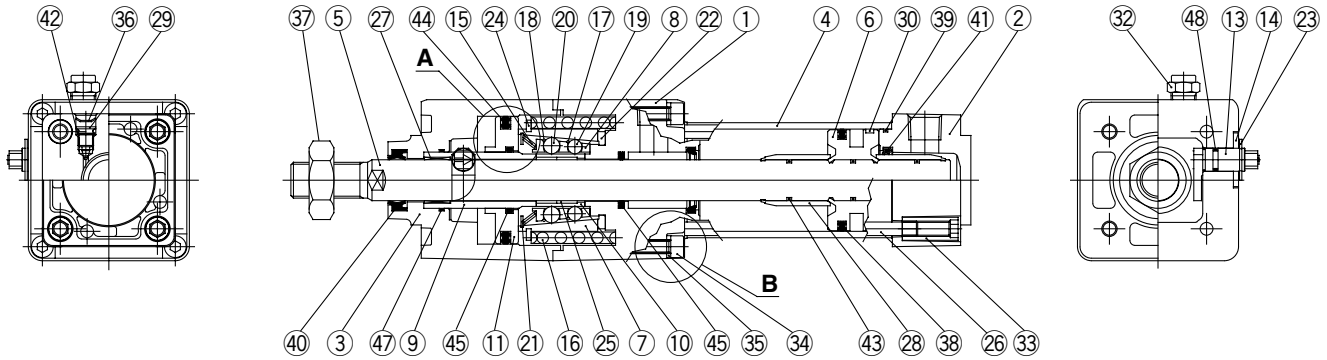
Bore size (mm)	Kit no.	Contents
32	CS95-32	Kits include items ⑬ to ⑰.
40	CS95-40	
50	CS95-50	
63	CS95-63	
80	CS95-80	
100	CS95-100	

\* Seal kits consist of items ⑬ to ⑰ contained in one kit, and can be ordered using the order number for each respective tube bore size.

# Series C95N

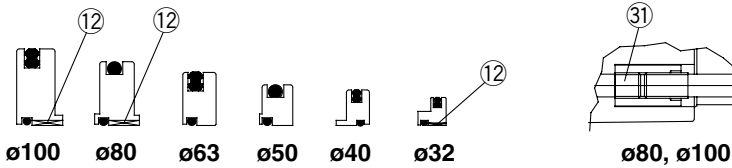
## Construction

[First angle projection]



**Section A**  
(Release piston bushing)

**Section B**  
(Tie-rod for unit attachment)



### Component Parts

No.	Description	Material	Qty.	Note
①	Rod cover	Aluminum alloy	1	
②	Head cover	Aluminum die-casted	1	
③	Cover	Aluminum alloy	1	
④	Cylinder tube	Aluminum alloy	1	
⑤	Piston rod	Carbon steel	1	
⑥	Piston	Aluminum alloy	1	
⑦	Taper ring	Carbon steel	1	
⑧	Ball retainer	Special resin	1	
⑨	Piston guide	Carbon steel	1	
⑩	Brake shoe holder	Special steel	1	
⑪	Brake release piston	32, 80, 100	Carbon steel	1
		40, 50, 63	Aluminum alloy	1
⑫	Brake release piston bushing	Steel + Special resin	1	32, 80, 100 only
⑬	Cam for lock release	Chrome molybdenum steel	1	
⑭	Washer	Carbon steel	1	
⑮	Spring for retainer pre-load	Stainless wire	1	
⑯	Brake spring	Stainless wire	1	
⑰	Clip A	Stainless steel	1	
⑱	Clip B	Stainless steel	1	
⑲	Steel ball A	32 to 50	Carbon steel	10
		63 to 100	Carbon steel	9

No.	Description	Material	Qty.	Note
⑳	Steel ball B	Carbon steel	32 to 50	10
		Carbon steel	63 to 100	9
㉑	Tooth ring	Stainless steel	1	
㉒	Damper	Polyurethane rubber	1	
㉓	Snap ring for release cam ㉔	Carbon steel	1	
㉔	Snap ring for taper ring	Carbon steel	1	
㉕	Brake shoe	Special friction material	2	
㉖	Tie-rod	Carbon steel	4	
㉗	Bushing	Lead bronze casting	1	
㉘	Cushion ring	Brass	2	
㉙	Cushion valve	Steel wire	2	
㉚	Wear ring	Resin	1	
㉛	Tie-rod for unit attachment	Carbon steel	2	
㉜	BC element	Bronze + Brass	1	
㉝	Tie-rod nut	Carbon steel	32 to 63	4
		Carbon steel	80, 100	8
㉞	Cap screw	Chrome molybdenum steel	4	
㉟	Spring washer	Steel wire	4	
㊱	Snap ring	Steel for spring	2	40 to 100
㊲	Rod end nut	Steel	1	

No.	Description	Material	Qty.
㉞	Piston seal	NBR	1
㉟	Tube gasket	NBR	2
㊱	Rod seal A	NBR	1
㊲	Cushion seal	NBR	2
㊳	Cushion seal valve	NBR	2
㊴	Piston gasket	NBR	3
㊵	Release piston seal	NBR	1
㊶	Road seal B	NBR	1
㊷	Gasket for release piston	NBR	1
㊸	Gasket for release guide	NBR	1
㊹	Gasket for release cam	NBR	1

### Replacement Parts: Seal Kit

Bore size (mm)	Kit no.	Contents
32	CS95-32	Kits include items ㉞ and ㉟ to ㊲.
40	CS95-40	
50	CS95-50	
63	CS95-63	
80	CS95-80	
100	CS95-100	

\* Seal kits consist of items ㉞ and ㉟ to ㊲ contained in one kit, and can be ordered using the order number for each respective tube bore size.