

PROJECT: _____	UNIT TAG: _____	QUANTITY: _____
REPRESENTATIVE: _____	TYPE OF SERVICE: _____	DATE: _____
ENGINEER: _____	SUBMITTED BY: _____	DATE: _____
CONTRACTOR: _____	APPROVED BY: _____	DATE: _____
	ORDER NO.: _____	DATE: _____

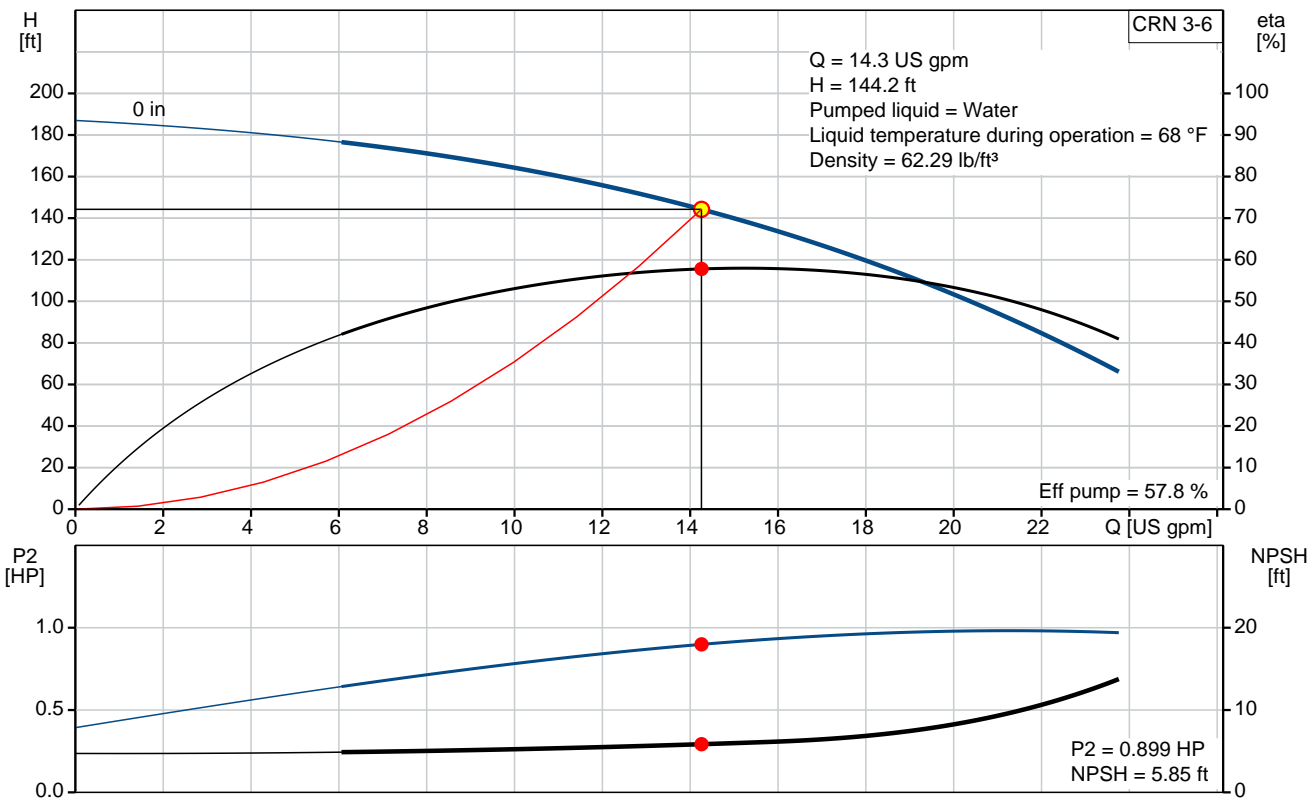


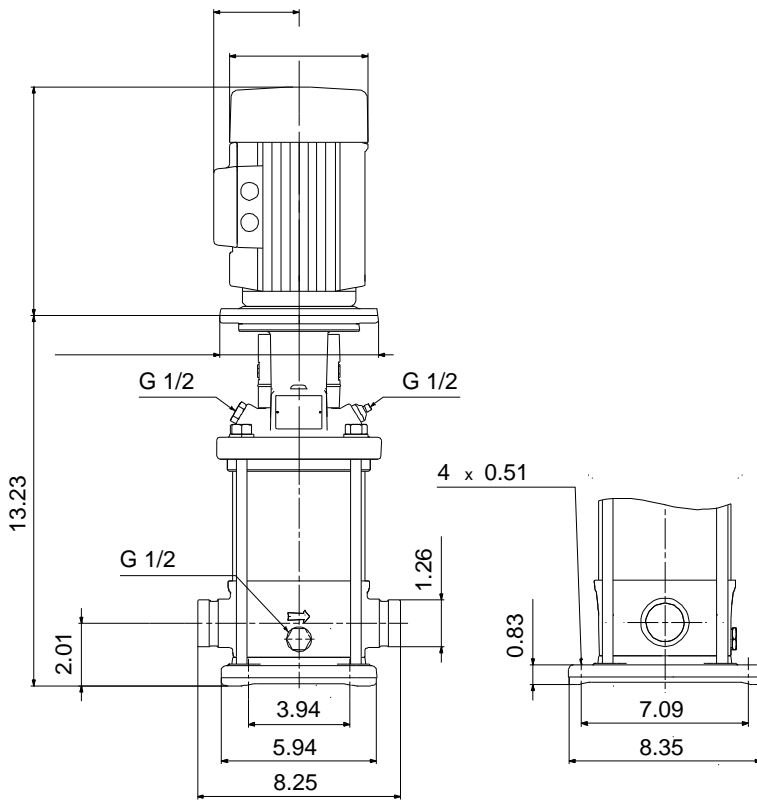
CRN 3-6

Vertical, multistage centrifugal pump with suction and discharge ports on same the level. Pump materials in contact with the liquid are in high-grade stainless steel (EN 1.4401) (AISI 316)

Product photo could vary from the actual product

Conditions of Service		Pump Data		Motor Data	
Flow:	14.3 US gpm	Max pressure at stated temperature:	363 psi / 250 °F	Main frequency:	60 Hz
Head:	144.2 ft	Approvals:	NSF61		
Efficiency:	_____	Shaft seal:	HQQE		
Liquid:	Water	Product number:	96083725		
Temperature:	68 °F				
NPSH required:	5.85 ft				
Viscosity:	_____				
Specific Gravity:	1.000				





Materials:

Base:	Stainless steel EN 1.4408 AISI 316
Impeller:	Stainless steel AISI 316 EN 1.4401
Material code:	G
Code for rubber:	E

Tender Text



Product photo could vary from the actual product

Product No.: [96083725](#)

CRN 3-6 A-P-G-E-HQQE

Vertical, non-self-priming, multistage, in-line, centrifugal pump for installation in pipe systems and mounting on a foundation.

The pump has the following characteristics:

- Impellers, intermediate chambers and outer sleeve are made of
- Pump head cover and base are made of
- The shaft seal has assembly length according to EN 12756.
- Power transmission is via cast iron split coupling.
flanges/couplings.

Controls:

Frequency converter: NONE

Liquid:

Pumped liquid: Water
Liquid temperature during operation: 68 °F
Density: 62.29 lb/ft³

Technical:

Speed for pump data: 3484 rpm
Actual calculated flow: 14.3 US gpm
Resulting head of the pump: 144.2 ft
Pump orientation: Vertical
Shaft seal arrangement: Single
Code for shaft seal: HQQE
Approvals on nameplate: NSF61
Curve tolerance: ISO9906:2012 3B

Materials:

Base: Stainless steel
EN 1.4408
AISI 316
Impeller: Stainless steel
EN 1.4401
AISI 316
Bearing material: SIC



Company name:

Created by:

Phone:

Date:

2/21/2018

Installation:

Max pressure at stated temperature: 363 psi / 250 °F
363 psi / -4 °F

Type of connection: PJE
Size of inlet connection: DN 32
Size of suction port: 1 1/4 inch
Size of outlet connection: DN 32
Size of outlet port: 1 1/4 inch
Pressure rating: PN 50
Flange size for motor: 56C

Electrical data:

Motor standard: NEMA
Power (P2) required by pump: 1 HP

Others:

Net weight: 28.3 lb
Gross weight: 39.3 lb
Shipping volume: 4.94 ft³

Position	Count	Description
	1	<p>CRN 3-6 A-P-G-E-HQQE</p>  <p style="text-align: right;">Product photo could vary from the actual product</p> <p>Product No.: 96083725 Vertical, non-self-priming, multistage, in-line, centrifugal pump for installation in pipe systems and mounting on a foundation.</p> <p>The pump has the following characteristics:</p> <ul style="list-style-type: none"> - Impellers, intermediate chambers and outer sleeve are made of - Pump head cover and base are made of - The shaft seal has assembly length according to EN 12756. - Power transmission is via cast iron split coupling. <p>flanges/couplings.</p> <p>Controls: Frequency converter: NONE</p> <p>Liquid: Pumped liquid: Water Liquid temperature during operation: 68 °F Density: 62.29 lb/ft³</p> <p>Technical: Speed for pump data: 3484 rpm Actual calculated flow: 14.3 US gpm Resulting head of the pump: 144.2 ft Pump orientation: Vertical Shaft seal arrangement: Single Code for shaft seal: HQQE Approvals on nameplate: NSF61 Curve tolerance: ISO9906:2012 3B</p> <p>Materials: Base: Stainless steel EN 1.4408 AISI 316 Impeller: Stainless steel EN 1.4401 AISI 316 Bearing material: SIC</p> <p>Installation:</p>



Company name:

Created by:

Phone:

Date:

2/21/2018

Position	Count	Description
		Max pressure at stated temperature: 363 psi / 250 °F 363 psi / -4 °F
		Type of connection: PJE
		Size of inlet connection: DN 32
		Size of suction port: 1 1/4 inch
		Size of outlet connection: DN 32
		Size of outlet port: 1 1/4 inch
		Pressure rating: PN 50
		Flange size for motor: 56C
		Electrical data:
		Motor standard: NEMA
		Power (P2) required by pump: 1 HP
		Others:
		Net weight: 28.3 lb
		Gross weight: 39.3 lb
		Shipping volume: 4.94 ft ³



Company name:

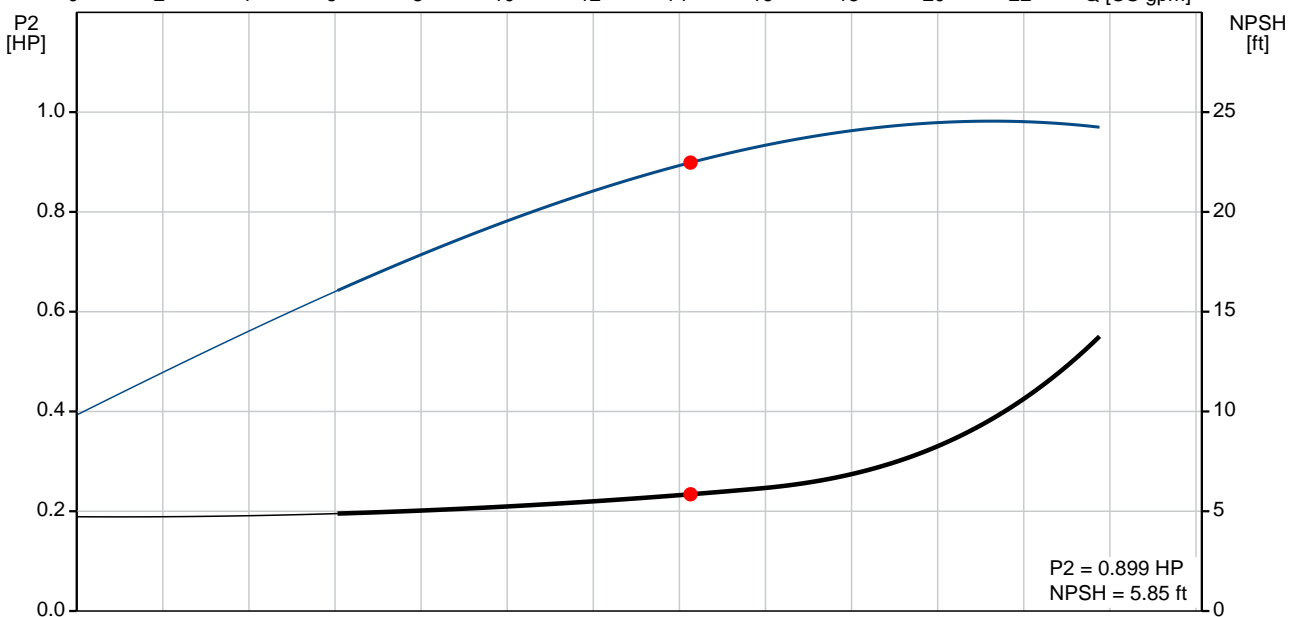
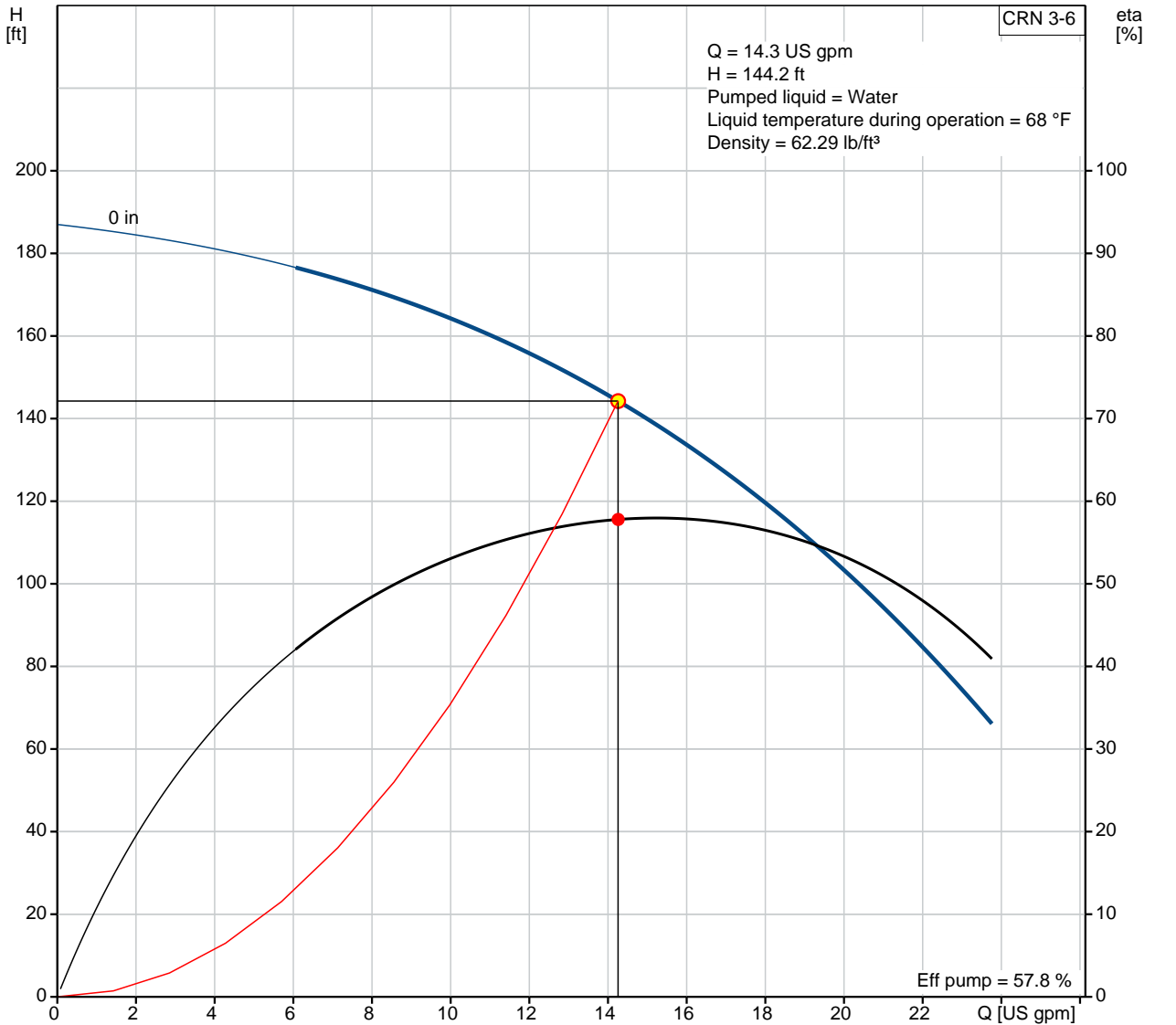
Created by:

Phone:

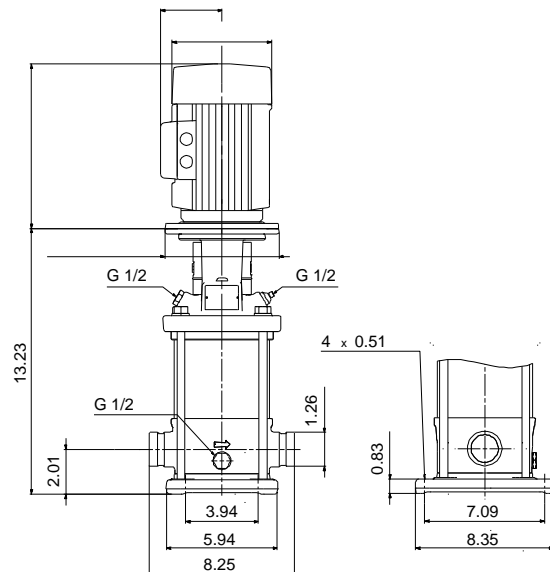
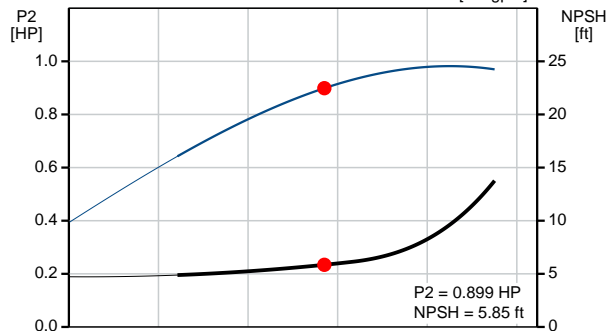
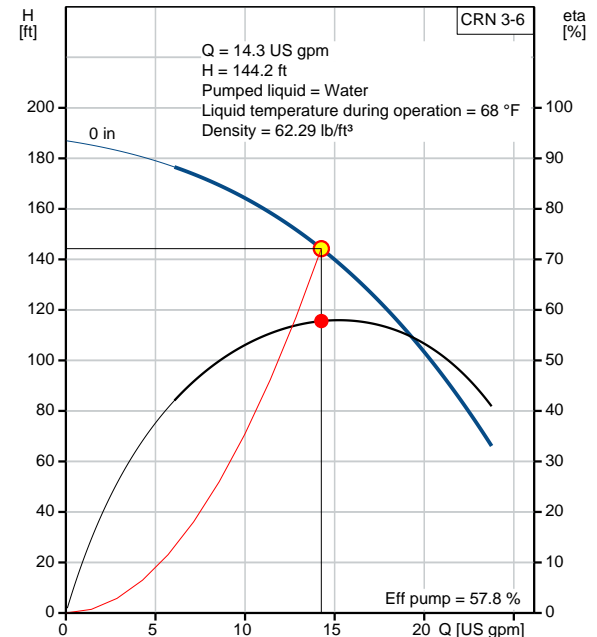
Date:

2/21/2018

96083725 CRN 3-6 60 Hz



Description	Value
General information:	
Product name:	CRN 3-6 A-P-G-E-HQQE
Product No.:	96083725
EAN:	5700395178432
Technical:	
Speed for pump data:	3484 rpm
Actual calculated flow:	14.3 US gpm
Resulting head of the pump:	144.2 ft
Stages:	6
Impellers:	6
Low NPSH:	N
Pump orientation:	Vertical
Shaft seal arrangement:	Single
Code for shaft seal:	HQQE
Approvals on nameplate:	NSF61
Curve tolerance:	ISO9906:2012 3B
Pump version:	A
Model:	A
Materials:	
Base:	Stainless steel EN 1.4408 AISI 316
Impeller:	Stainless steel EN 1.4401 AISI 316
Material code:	G
Code for rubber:	E
Bearing material:	SIC
Installation:	
Max pressure at stated temperature:	363 psi / 250 °F 363 psi / -4 °F
Type of connection:	PJE
Connect code:	P
Size of inlet connection:	DN 32
Size of suction port:	1 1/4 inch
Size of outlet connection:	DN 32
Size of outlet port:	1 1/4 inch
Pressure rating:	PN 50
Flange size for motor:	56C
Liquid:	
Pumped liquid:	Water
Liquid temperature during operation:	68 °F
Density:	62.29 lb/ft³
Electrical data:	
Motor standard:	NEMA
Power (P2) required by pump:	1 HP
Controls:	
Frequency converter:	NONE
Others:	
Net weight:	28.3 lb
Gross weight:	39.3 lb
Shipping volume:	4.94 ft³





Company name:

Created by:

Phone:

Date: 2/21/2018

Order Data:

Product name: CRN 3-6 A-P-G-E-HQQE

Amount: 1

Product No.: 96083725

Total: Price on request
