

**NEMA Rated Full Voltage Power Devices**

Application Information and Technical Data (300-Line).....1-4

Magnetic Nonreversing Starters (CR306, CR386)Basic Features (300-Line) and Technical Features
(CR306, CR386).....1-7Non-combination, NEMA Sizes 00-9 with Thermal Overload
Relays — Application Information and Selection Instructions
(CR306, CR386).....1-8Non-combination, NEMA Sizes 00-9
with Thermal Overload Relays (CR306, CR386).....1-9Non-combination, NEMA Sizes 1-6 with Solid State Overload
Relays — Selection Instructions and Technical Features
(CR306).....1-11Non-combination, NEMA Sizes 1-6
with Solid State Overload Relays1-12

Outlines and Dimensions (CR306, CR386).....1-13

Magnetic Reversing Starters (CR309)

Application Information and Selection Instructions1-17

Non-combination, NEMA Sizes 00-7
with Thermal Overload Relays, Three-Phase1-18Non-combination, NEMA Sizes 00-1
with Thermal Overload Relays, Single-Phase.....1-19

Outlines and Dimensions (CR309).....1-20

Magnetic Two-Speed Starters (CR309)

Application Information and Selection Instructions1-24

Non-combination, NEMA Sizes 0-5
with Thermal Overload Relays, Two-Winding1-25Non-combination, NEMA Sizes 0-5
with Thermal Overload Relays, One-Winding1-26

Outlines and Dimensions (CR309).....1-27

Magnetic Nonreversing Starters (CR307, CR407, CR308, CR408)

Application Information and Selection Instructions1-30

Nonfusible Disconnect Type (CR308, CR408).....1-31

Fusible Disconnect Type (CR308, CR408)1-32

**Magnetic Nonreversing Starters (CR307, CR407, CR308, CR408)
(continued)**

Nonfusible and Fusible Part Number Configuration

Size 0-2, NEMA Type 1 (CR308).....1-34

Size 0-4, NEMA Type 1, 3R, 12, 4/4X (CR408).....1-37

Thermal Magnetic Circuit Breaker Type (CR307, CR407)1-42

Thermal Magnetic Part Number Configuration

Size 0-2, NEMA Type 1 (CR307).....1-43

Size 0-4, NEMA Type 1, 3R, 12, 4/4X (CR407)1-46

Outlines and Dimensions1-59

Mag-Break Magnetic Nonreversing Starters (CR387, CR487)

Application Information and Selection Instructions1-50

Mag-Break Circuit Breaker Type (CR387, CR487)1-51

Mag-Break Part Number Configuration

Size 0-2, NEMA Type 1 (CR387).....1-52

Size 0-4, NEMA Type 1, 3R, 12, 4/4X (CR487).....1-55

Outlines and Dimensions1-59

Magnetic Reversing Starters (CR310, CR410, CR311, CR411)

Application Information and Selection Instructions1-64

Nonfusible Disconnect Type (CR311, CR411).....1-65

Fusible Disconnect Type (CR311, CR411)1-66

Nonfusible and Fusible Part Number Configuration

Size 0-4, NEMA Type 1, 3R, 12, 4/4X (CR411).....1-68

Thermal Magnetic Circuit Breaker Type (CR310, CR410)1-73

Thermal Magnetic Part Number Configuration

Size 0-4, NEMA Type 1, 3R, 12, 4/4X (CR410).....1-74

Outlines and Dimensions1-84

Mag-Break Magnetic Reversing Starters (CR390, CR490)

Application Information and Selection Instructions1-78

Mag-Break Circuit Breaker Type (CR390, CR490)1-79

Mag-Break Part Number Configuration

Size 0-4, NEMA Type 1, 3R, 12, 4/4X (CR490).....1-80

Outlines and Dimensions1-84

Magnetic Two-speed Controllers (CR412, CR413, CR492)

Application Information and Selection Instructions1-86

Nonfusible Disconnect Type (CR413).....1-87



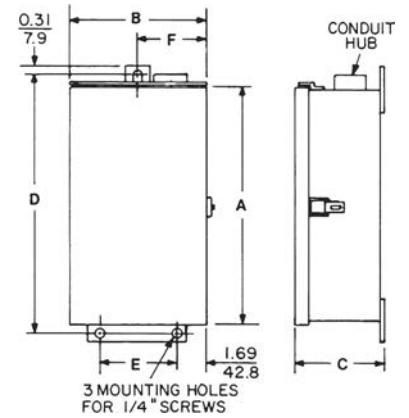
NEMA Full Voltage Power Devices NEMA Rated Full Voltage Contactors CR305

Section 1

Outlines, Dimensions in. (mm), and Weights (For Estimating Only)

CR305 NEMA Type 3R NEMA Sizes 0-2

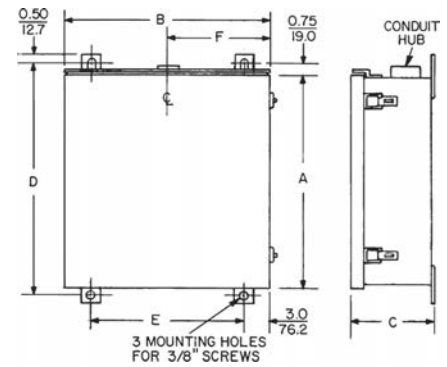
NEMA Size	Dimension A	Dimension B	Dimension C	Dimension D	Dimension E	Dimension F	Approx. Shipping Wt. (Lbs)
0	14.50 (368.3)	6.38 (161.9)	4.75 (120.6)	15.00 (381.0)	3.00 (76.2)	3.19 (80.9)	6
1	14.50 (368.3)	6.38 (161.9)	4.75 (120.6)	15.00 (381.0)	3.00 (76.2)	3.19 (80.9)	6
2	16.50 (419.1)	7.75 (196.8)	6.50 (165.1)	17.00 (431.8)	4.38 (111.2)	3.88 (98.4)	14



Type 3R, NEMA Sizes 0-2

CR305 NEMA Type 3R NEMA Sizes 3-5

NEMA Size	Dimension A	Dimension B	Dimension C	Dimension D	Dimension E	Dimension F	Approx. Shipping Wt. (Lbs)
3	22.00 (558.8)	17.19 (436.6)	7.25 (184.2)	23.50 (596.9)	11.00 (279.4)	8.6 (217.9)	43
4	26.00 (660.4)	17.19 (436.6)	7.25 (184.2)	27.50 (698.5)	11.00 (279.4)	8.6 (217.9)	43
5	42.00 (1066.8)	22.00 (558.8)	10.25 (260.4)	43.50 (1104.9)	16.00 (406.0)	11.0 (279.4)	135
6	46.00 (1168.4)	20.00 (508.0)	14.00 (355.6)	47.75 (1212.8)	17.62 (447.7)	—	260



Type 3R, NEMA Sizes 3-5

CR305 NEMA Type 4/4X NEMA Sizes 0-6

NEMA Size	Height	Depth	Width	Approx. Shipping Wt. (Lbs)
0	15.62 (396.7)	4.75 (120.6)	6.38 (162.0)	6
1	15.62 (396.7)	4.75 (120.6)	6.38 (162.0)	6
2	17.62 (447.5)	6.50 (165.1)	7.75 (196.8)	14
3	25.40 (622.3)	7.25 (184.2)	17.00 (431.8)	40
4	28.50 (723.9)	7.25 (184.2)	17.00 (431.8)	43
5	44.50 (1130.3)	10.25 (260.4)	22.00 (558.8)	154
6	Contact nearest GE Representative			

