

CEM-M2-C60-KZ-SE-163252 (ORDER NO. 163252)

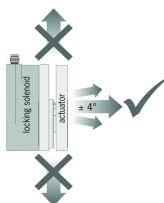
Variable magnetic guard locking device CEM-C60 without permanent magnet, plug connector on left

- ▶ Magnetic guard locking for process protection
- ▶ Locking force 650 N (without permanent magnet)
- ▶ With remanence
- ▶ Function expansion for safety switch CES-C04 / CES-C07
- ▶ Flexibility through a large selection of safety switches
- ▶ Maximum safety level PL e / category 4 for detection of the door position
- ▶ Transponder coding enables high level of protection against tampering
- ▶ Simple connection of the solenoid using M12 plug connector, 5-pin
- ▶ Yellow LED to indicate voltage at the solenoid
- ▶ Nickel-plated solenoid surface with high corrosion resistance



Description

Approach direction



Horizontal

Guard locking type

CEM-M2 Guard locking actuated by energy ON and released by energy OFF.

Combinations

Guard locking solenoid

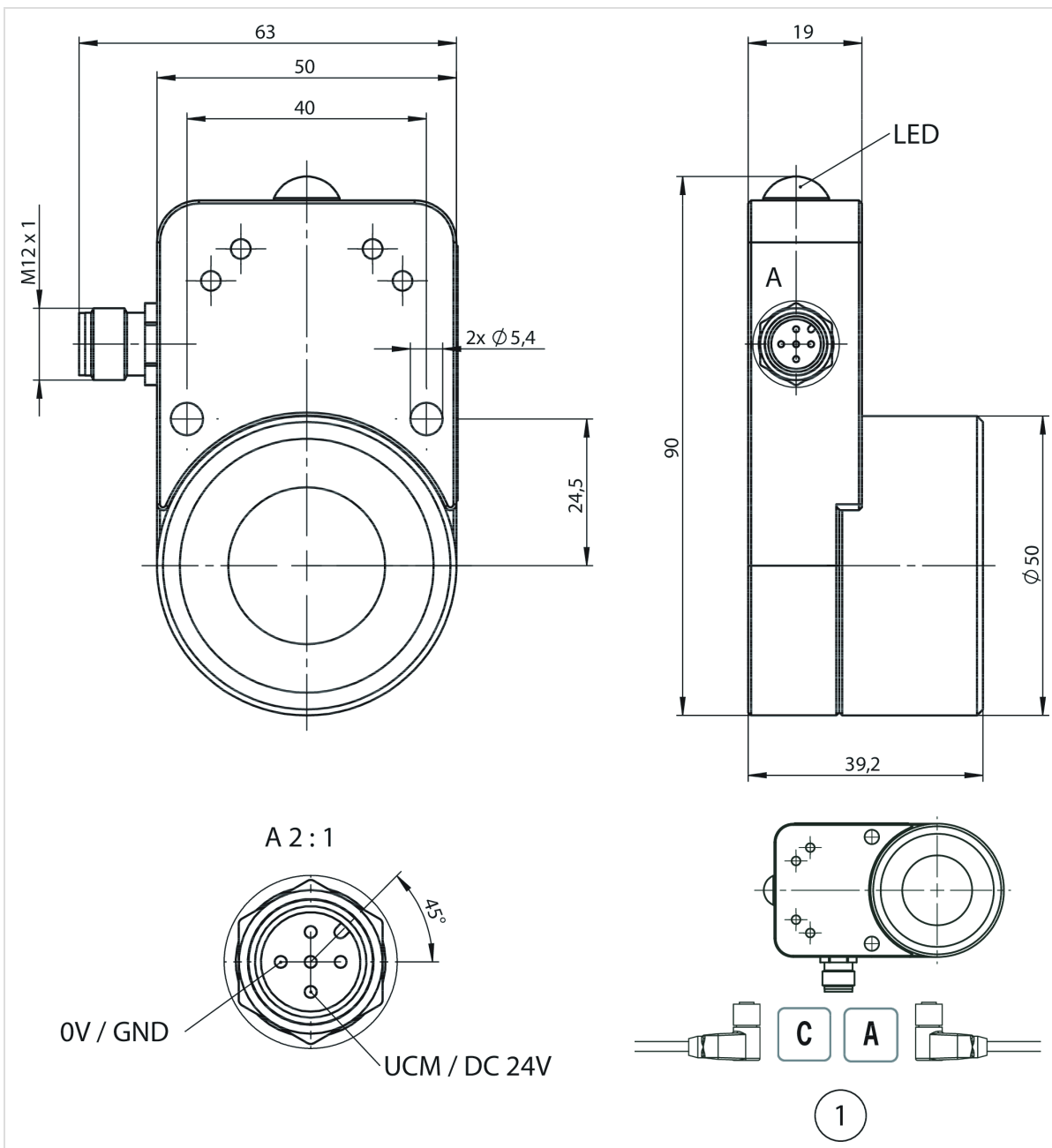
Safety switch

Actuator

Application

Maßzeichnungen



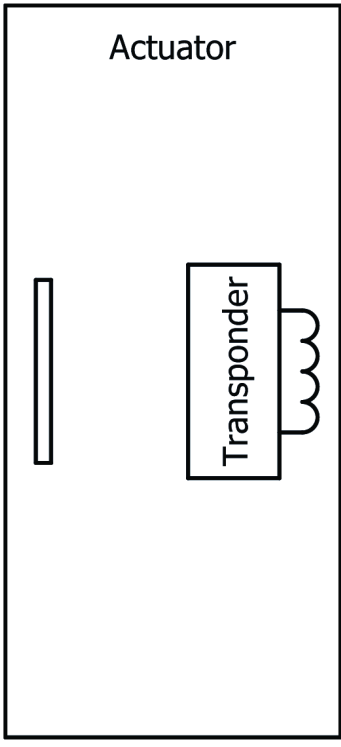
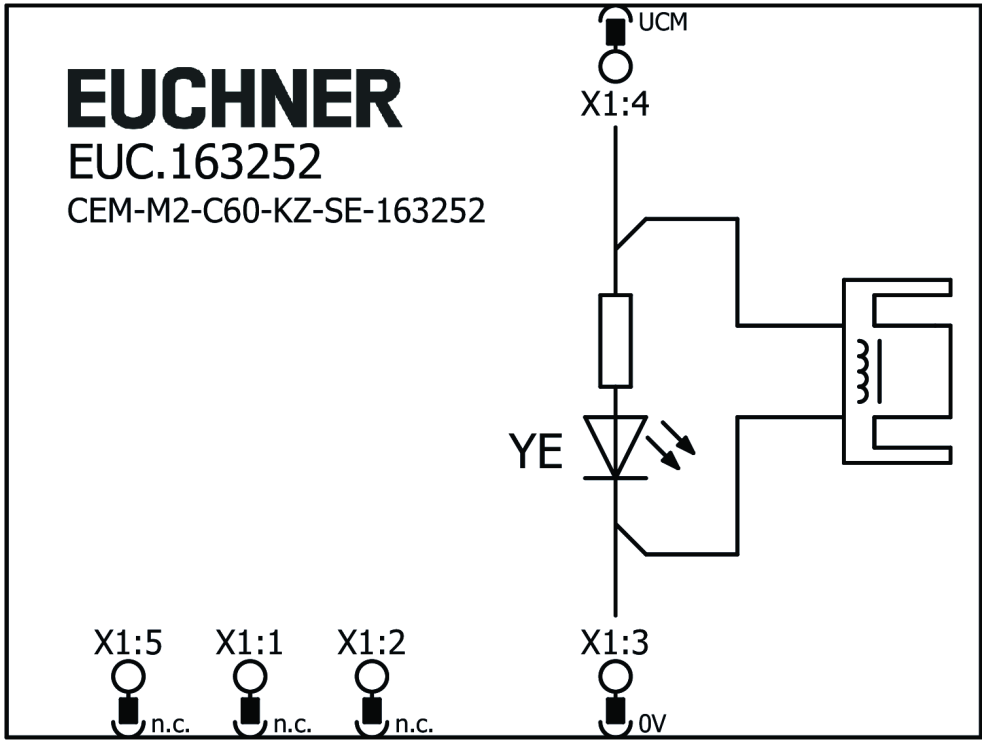
1 With the installation orientation shown: cable outlet on left or right

Anschlussbeispiele

EUCHNER

EUC.163252

CEM-M2-C60-KZ-SE-163252



Anschlussbeispiele

rot / red

schwarz / black

Anschluss Sicherheitsschalter
 CES-I-BP (5-polig Buchse)/
 Connection to safety switch
 CES-I-BP (5-pin socket)

Pin	Funktion
X3.1	U _B
X3.2	FO1A
X3.3	0 V U _B
X3.4	FO1B
X3.5	OD

Y-Verteiler (8-polig Stift)/
Y-distributor (8-pin plug)

Pin	Funktion
X1.1	U _{CM}
X1.2	U _B
X1.3	FO1A
X1.4	FO1B
X1.5	OD
X1.6	
X1.7	0 V U _B
X1.8	0 V UCM

Anschluss Zuhaltmagnet
 CEM-C60 (5-polig Buchse)/
 Connection to guard locking
 solenoid CEM-C60 (5-pin socket)

Pin	Funktion
X2.1	
X2.2	
X2.3	0 V U _{CM}
X2.4	U _{CM}
X2.5	

Technical data

Approvals



Work area

Center offset

Transponder detection (typical value at room temperature)	-10 ... +10 mm
---	----------------

Solenoid	-2.5 ... +2.5 mm
----------	------------------

Electrical connection ratings

Power consumption	2.4 W
-------------------	-------

Current consumption	100 mA
---------------------	--------

Operating voltage DC	
----------------------	--

U _{CM}	24 V DC -15% ... +10%
-----------------	-----------------------

Solenoid duty cycle	100 %
---------------------	-------

Mechanical values and environment

Connection	M12, 5-pin
------------	------------

Degree of protection	IP65/IP67
----------------------	-----------

Material	
----------	--

Solenoid	Steel, nickel plated
----------	----------------------

Housing	Aluminum
---------	----------

Mechanical life	
-----------------	--

in case of use as door stop, and 1 Joule impact energy	1 x 10 ⁶
--	---------------------

Installation orientation	any
--------------------------	-----

Adhesive force	
----------------	--

due to remanence	10 N -25% ... +25%
------------------	--------------------

Ambient temperature	-25 ... +50 °C
---------------------	----------------

Locking force F	
-----------------	--

(not monitored, in axial direction) at U _{CM} =24 V	650 N
--	-------

Guard locking principle	Open-circuit current principle
-------------------------	--------------------------------

In combination with safety switch CES-I-BP-M-C07-SB-160076, CES-I-BP-U-C07-SB-160080, CES-I-BR-U-C07-SA-157920, CES-I-BP-M-C07-SI-162813, CES-I-BP-U-C07-SI-162815, CES-I-BR-M-C07-SA-156233, CES-I-BR-S-C07-SA-165914

Assured operating distances s _{ao}	
---	--

with center offset m=0	min. 2 mm
------------------------	-----------

Assured release distance s _{ar}	max. 17 mm
--	------------

In combination with safety switch CES-I-AP-U-C04-USI-115150, CES-I-AP-U-C04-SK-115324, CES-I-AP-U-C04-USB-116502, CES-I-AP-U-C04-U05-116503, CES-I-AP-U-C04-U10-116504, CES-I-AP-U-C04-U20-116505, CES-I-AP-M-C04-USI-117323, CES-I-AP-M-C04-USB-117324, CES-I-AP-M-C04-SK-117325, CES-I-AP-M-C04-U05-117328, CES-I-AP-M-C04-U10-117329, CES-I-AP-M-C04-U20-117330, CES-I-AR-U-C04-SG-119469, CES-I-AR-U-C04-U05-119470, CES-I-AR-U-C04-U10-119471, CES-I-AR-U-C04-U20-119472, CES-I-AR-U-C04-USA-119473, CES-I-AR-M-C04-SG-119474, CES-I-AR-M-C04-U05-119475, CES-I-AR-M-C04-U10-119476, CES-I-AR-M-C04-U20-119477, CES-I-AR-M-C04-USA-119479, CES-I-AP-M-C04-USI-160832, CES-I-AR-F-C04-SG-161679, CES-I-AP-M-C04-USI-162592

Assured operating distances s _{ao}	
---	--

with center offset m=0	min. 5 mm
------------------------	-----------

Assured release distance s _{ar}	max. 40 mm
--	------------

Accessories

Actuator

Actuator A-C60-A1 for CEM-C60 with CES-C04



161322
A-C60-A1-161322

- ▶ In combination with guard locking solenoid CEM-C60, locking force 650 N
- ▶ With permanently installed transponder for safety switch CES-C04
- ▶ Spring-mounted anchor plate
- ▶ Holding plate surface nickel plated, high corrosion resistance

Actuator A-C60-B1 for CEM-C60 with CES-C07



162581
A-C60-B1-162581

- ▶ In combination with guard locking solenoid CEM-C60, locking force 650 N
- ▶ With permanently installed transponder for safety switch CES-C07
- ▶ Spring-mounted anchor plate
- ▶ Holding plate surface nickel plated, high corrosion resistance

Connection accessories

Connecting cable with angled plug connector M12, 5-pin, 10 m



113190
C-M12F05-05X025PU10,0-MA-113190

- ▶ M12 female plug, 5-pin
- ▶ Angled plug connector
- ▶ PUR cable
- ▶ Cable length 10 m
- ▶ Cable exit C (left)
- ▶ With flying lead



113187
C-M12F05-05X025PU10,0-MA-113187

- ▶ M12 female plug, 5-pin
- ▶ Angled plug connector
- ▶ PUR cable
- ▶ Cable length 10 m
- ▶ Cable exit A (right)
- ▶ With flying lead

Connecting cable with straight plug connector M12, 5-pin, 10m



100184
C-M12F05-05X034PV10,0-MA-100184

- ▶ M12 female plug, 5-pin
- ▶ Straight plug connector
- ▶ PVC cable
- ▶ Cable length 10 m
- ▶ With flying lead



113640
C-M12F05-05X034PU10,0-MA-113640

- ▶ M12 female plug, 5-pin
- ▶ Straight plug connector
- ▶ PUR cable
- ▶ Cable length 10 m
- ▶ With flying lead

Connecting cable with straight plug connector M12, 5-pin, 20m



100185
C-M12F05-05X034PV20,0-MA-100185

- ▶ M12 female plug, 5-pin
- ▶ Straight plug connector
- ▶ PVC cable
- ▶ Cable length 20 m
- ▶ With flying lead



113682
C-M12F05-05X034PU20,0-MA-113682

- ▶ M12 female plug, 5-pin
- ▶ Straight plug connector
- ▶ PUR cable
- ▶ Cable length 20 m
- ▶ With flying lead

Connecting cable with straight plug connector M12, 5-pin, 30m



122784
C-M12F05-05X034PU30,0-MA-122784

- ▶ M12 female plug, 5-pin
- ▶ Straight plug connector
- ▶ PUR cable
- ▶ Cable length 30 m
- ▶ With flying lead

Connecting cable with straight plug connector M12, 5-pin, 50 m



156064
C-M12F05-05X034PV50,0-MA-156064

- ▶ M12 female plug, 5-pin
- ▶ Straight plug connector
- ▶ PVC cable
- ▶ Cable length 50 m
- ▶ With flying lead

Connecting cable with straight plug connector M12, 5-pin, 5m



100183
C-M12F05-05X034PV05,0-MA-100183

- ▶ M12 female plug, 5-pin
- ▶ Straight plug connector
- ▶ PVC cable
- ▶ Cable length 5 m
- ▶ With flying lead



113620
C-M12F05-05X034PU05,0-MA-113620

- ▶ M12 female plug, 5-pin
- ▶ Straight plug connector
- ▶ PUR cable
- ▶ Cable length 5 m
- ▶ With flying lead

M12 extension PUR, 5-pin, plug connectors at both ends, 10 m



115566
C-M12F05-05X025PU10,0-M12M05-115566

- ▶ M12 female plug, 5-pin (angled) to M12 plug connector (straight)
- ▶ plug connectors at both ends
- ▶ PUR cable
- ▶ Cable length 10 m
- ▶ with cable exit C (left)



115565
C-M12F05-05X025PU10,0-M12M05-115565

- ▶ M12 female plug, 5-pin (angled) to M12 plug connector (straight)
- ▶ plug connectors at both ends
- ▶ PUR cable
- ▶ Cable length 10 m
- ▶ with cable exit A (right)

Y-distributor M12 with connecting cable, without IO-Link evaluation



161909
AC-YD-U0,2-SBB-161909

- ▶ For connection of guard locking solenoid CEM-C60 and safety switch CES-I-BP
- ▶ Y-distributor M12 with connecting cable, 2 x 5-pin, 1 x 8-pin
- ▶ Straight plug connector
- ▶ PUR cable
- ▶ Cable length 0.2 m

Mounting accessories

Safety screws M5 x 16

073456
M5X16/V100

- ▶ Safety screws M5 x 16
- ▶ Packaging unit 100 pieces

Contacts

🏠 EUCHNER GmbH + Co. KG
Kohlhammerstraße 16
70771 Leinfelden-Echterdingen

☎ +49 711 7597-0

📠 +49 711 753316

✉ [info\(at\)euchner.de](mailto:info(at)euchner.de)