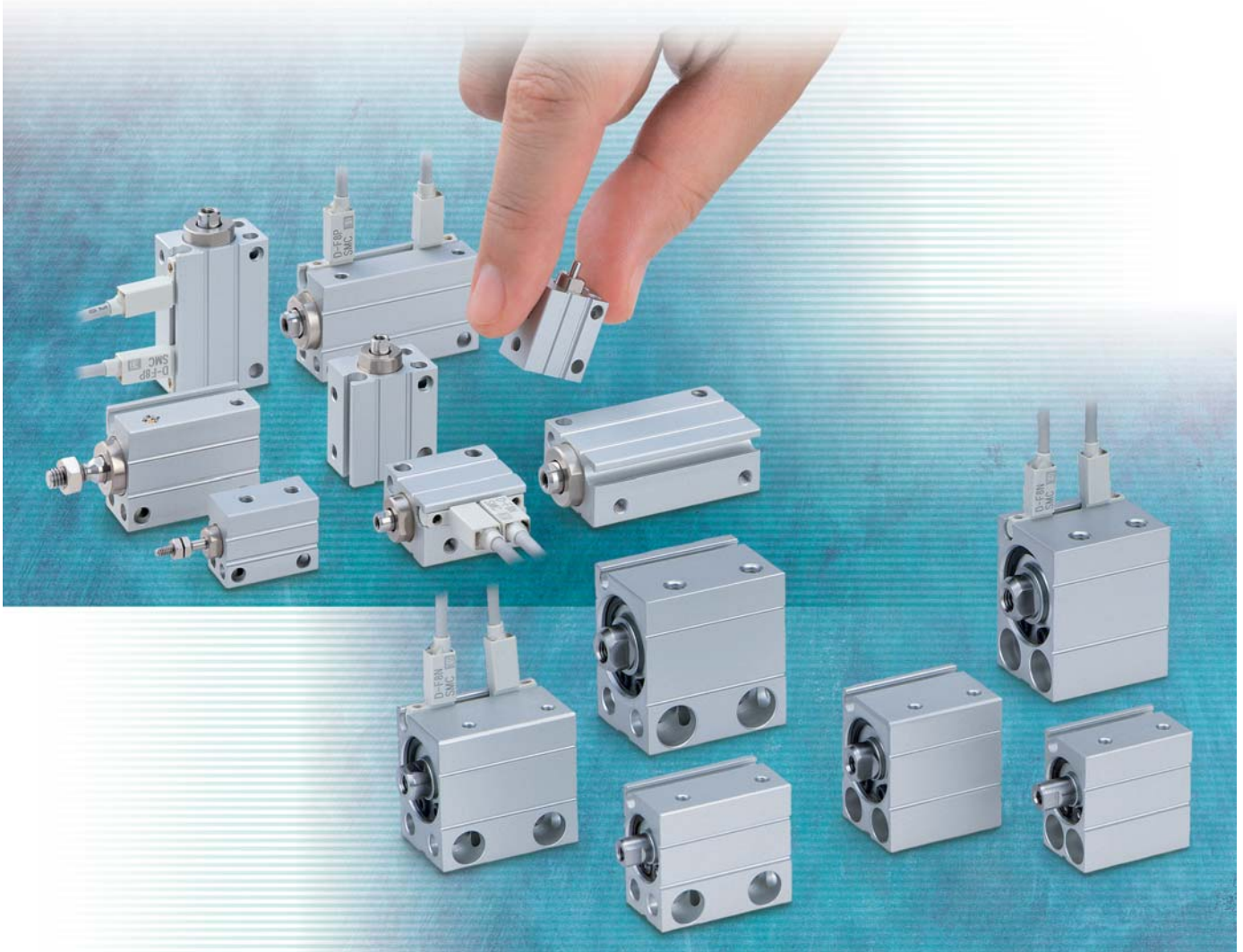


# Mini Free Mount Cylinder

ø4, ø6, ø8, ø10, ø12, ø16, ø20



**New** Added ø12, ø16, ø20 bore sizes.

● : New additions

Series	Bore size (mm)	Action	Stroke (mm)													Clean series	Auto switch	Rod end	
			4	5	6	8	10	15	20	25	30	35	40	45	50				
CUJ	4	Double acting	●		●	●	●	●	●									None	Male threaded Without thread
		Single acting, spring return	●		●	●	●	●	●										
	6	Double acting	●		●	●	●	●	●	●	●							Solid state switch D-F8□ D-M9□ D-M9□W	Female threaded Male threaded
		Single acting, spring return	●		●	●	●	●	●	●									
	8	Double acting	●		●	●	●	●	●	●	●							Solid state switch D-F8□ D-M9□ D-M9□W	Female threaded Male threaded
		Single acting, spring return	●		●	●	●	●	●	●									
	10	Double acting	●		●	●	●	●	●	●	●	●						Solid state switch D-F8□ D-M9□ D-M9□W	Female threaded Male threaded
		Single acting, spring return	●		●	●	●	●	●	●									
	12	Double acting		●			●	●	●	●	●	●	●					Solid state switch D-F8□ D-M9□ D-M9□W	Female threaded Male threaded
		Single acting, spring return		●			●	●	●	●	●	●							
	16	Double acting		●			●	●	●	●	●	●	●					Solid state switch D-F8□ D-M9□ D-M9□W	Female threaded Male threaded
		Single acting, spring return		●			●	●	●	●	●	●							
20	Double acting		●			●	●	●	●	●	●	●	●	●	●	●	Solid state switch D-F8□ D-M9□ D-M9□W	Female threaded Male threaded	
	Single acting, spring return		●			●	●	●	●	●	●	●	●	●	●				

Series **CUJ**



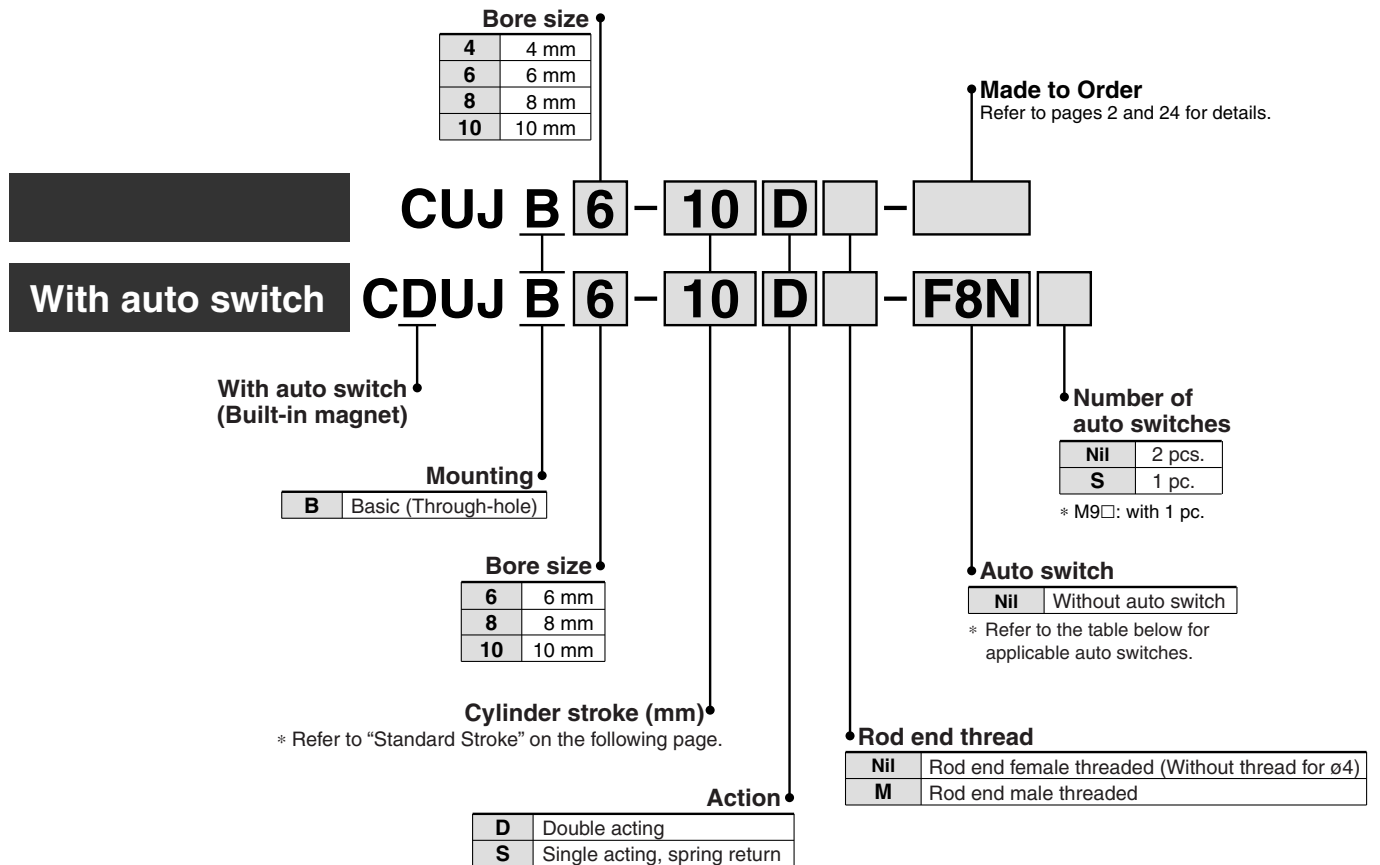
CAT.ES20-157C

# Mini Free Mount Cylinder

## Series CUJ

ø4, ø6, ø8, ø10

### How to Order



### Built-in Magnet Cylinder Model

In the case of built-in magnet without auto switch, the symbol for auto switch is "Nil".  
(Example) CDUJB8-15DM

### Applicable Auto Switches/Refer to pages 21 through to 23 for additional information on auto switches.

Type	Special function	Electrical entry	Indicator light	Wiring (Output)	Load voltage		Auto switch model		Lead wire length (m) *				Pre-wired connector	Applicable load		
					DC	AC	Electrical entry		0.5 (Nil)	1 (M)	3 (L)	5 (Z)				
							Perpendicular	In-line								
Solid state switch	—	Grommet	Yes	3-wire (NPN)	24 V	5 V, 12 V	—	—	M9N	●	—	●	○	○	IC circuit	Relay, PLC
				3-wire (PNP)				—	F8N	●	—	●	○			
				2-wire				—	M9P	●	—	●	○			
				2-wire				—	F8P	●	—	●	○			
	Diagnostic indication (2-color indication)			3-wire (NPN)	5 V, 12 V	—	—	M9B	●	—	●	○	○	○	—	
				3-wire (PNP)			—	F8B	●	—	●	○				
				2-wire			—	M9NW	●	●	●	○				
				2-wire			—	M9PW	●	●	●	○				
—	—	—	—	—	—	—	—	M9BW	●	●	●	○	○	—		

\* Lead wire length symbols: 0.5 m ..... Nil (Example) M9NW  
 1 m ..... M (Example) M9NWM  
 3 m ..... L (Example) M9NWL  
 5 m ..... Z (Example) M9NWZ

\* Auto switches marked with "○" are produced upon receipt of order.

Note 1) For 2-color indication type, use caution on hysteresis. Refer to page 19, "Auto Switch Hysteresis" prior to use.

Note 2) Refer to pages 21 through to 23 for detailed auto switch specifications.

\* Refer to "Best Pneumatics" catalog for further information on auto switches with pre-wired connector.

\* Auto switches are included, (but not assembled).

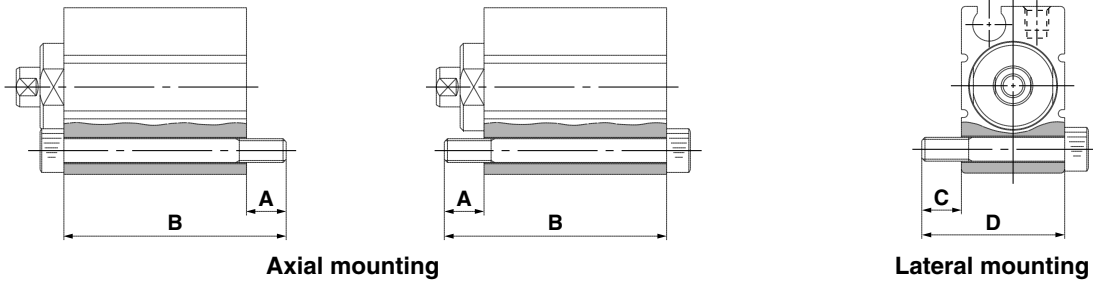
# Series CUJ

## Mounting

How to Mount: Through-hole mounting bolts are available.

How to Order: Add the "CUJ-" in front of the bolts to be used.

Example) CUJ-M3 x 27 ℓ



### Without Auto Switch (Without Magnet)

#### For Axial Mounting

Cylinder model	A	B	Mounting bolt size
<b>CUJB4-4</b>	4	21	M2.5 x 21 ℓ
-6		23	M2.5 x 23 ℓ
-8		25	M2.5 x 25 ℓ
-10		27	M2.5 x 27 ℓ
-15		32	M2.5 x 32 ℓ
-20		37	M2.5 x 37 ℓ <small>Note)</small>
<b>CUJB6-4</b>	5	22	M3 x 22 ℓ
-6		24	M3 x 24 ℓ
-8		26	M3 x 26 ℓ
-10		28	M3 x 28 ℓ
-15		33	M3 x 33 ℓ
-20		38	M3 x 38 ℓ
-25	43	M3 x 43 ℓ	
-30	48	M3 x 48 ℓ	
<b>CUJB8-4</b>	5	22	M3 x 22 ℓ
-6		24	M3 x 24 ℓ
-8		26	M3 x 26 ℓ
-10		28	M3 x 28 ℓ
-15		33	M3 x 33 ℓ
-20		38	M3 x 38 ℓ
-25	43	M3 x 43 ℓ	
-30	48	M3 x 48 ℓ	
<b>CUJB10-4</b>	5	22	M3 x 22 ℓ
-6		24	M3 x 24 ℓ
-8		26	M3 x 26 ℓ
-10		28	M3 x 28 ℓ
-15		33	M3 x 33 ℓ
-20		38	M3 x 38 ℓ
-25	43	M3 x 43 ℓ	
-30	48	M3 x 48 ℓ	

Note) Only M2.5 x 37 ℓ is made of stainless steel.

#### For Lateral Mounting

Cylinder model	C	D	Mounting bolt size
<b>CUJB4-4</b>	4	14	M2.5 x 14 ℓ
-6			
-8			
-10			
-15			
-20			
<b>CUJB6-4</b>	5	18	M3 x 18 ℓ
-6			
-8			
-10			
-15			
-20			
-25			
-30			
<b>CUJB8-4</b>	5	18	M3 x 18 ℓ
-6			
-8			
-10			
-15			
-20			
-25			
-30			
<b>CUJB10-4</b>	5	18	M3 x 18 ℓ
-6			
-8			
-10			
-15			
-20			
-25			
-30			

### With Auto Switch (Built-in Magnet)

#### For Axial Mounting

Cylinder model	A	B	Mounting bolt size
<b>CDUJB6-4</b>	5	27	M3 x 27 ℓ
-6		29	M3 x 29 ℓ
-8		31	M3 x 31 ℓ
-10		33	M3 x 33 ℓ
-15		38	M3 x 38 ℓ
-20		43	M3 x 43 ℓ
-25	48	M3 x 48 ℓ	
-30	53	M3 x 53 ℓ	
<b>CDUJB8-4</b>	5	27	M3 x 27 ℓ
-6		29	M3 x 29 ℓ
-8		31	M3 x 31 ℓ
-10		33	M3 x 33 ℓ
-15		38	M3 x 38 ℓ
-20		43	M3 x 43 ℓ
-25	48	M3 x 48 ℓ	
-30	53	M3 x 53 ℓ	
<b>CDUJB10-4</b>	5	27	M3 x 27 ℓ
-6		29	M3 x 29 ℓ
-8		31	M3 x 31 ℓ
-10		33	M3 x 33 ℓ
-15		38	M3 x 38 ℓ
-20		43	M3 x 43 ℓ
-25	48	M3 x 48 ℓ	
-30	53	M3 x 53 ℓ	

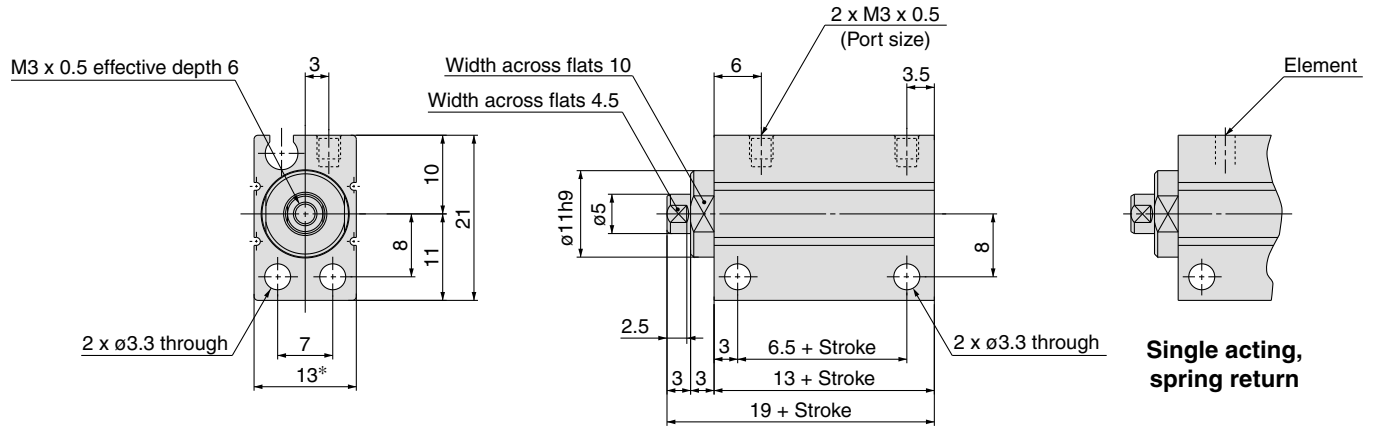
#### For Lateral Mounting

Cylinder model	C	D	Mounting bolt size
<b>CDUJB6-4</b>	5	18	M3 x 18 ℓ
-6			
-8			
-10			
-15			
-20			
-25			
-30			
<b>CDUJB8-4</b>	5	18	M3 x 18 ℓ
-6			
-8			
-10			
-15			
-20			
-25			
-30			
<b>CDUJB10-4</b>	5	18	M3 x 18 ℓ
-6			
-8			
-10			
-15			
-20			
-25			
-30			

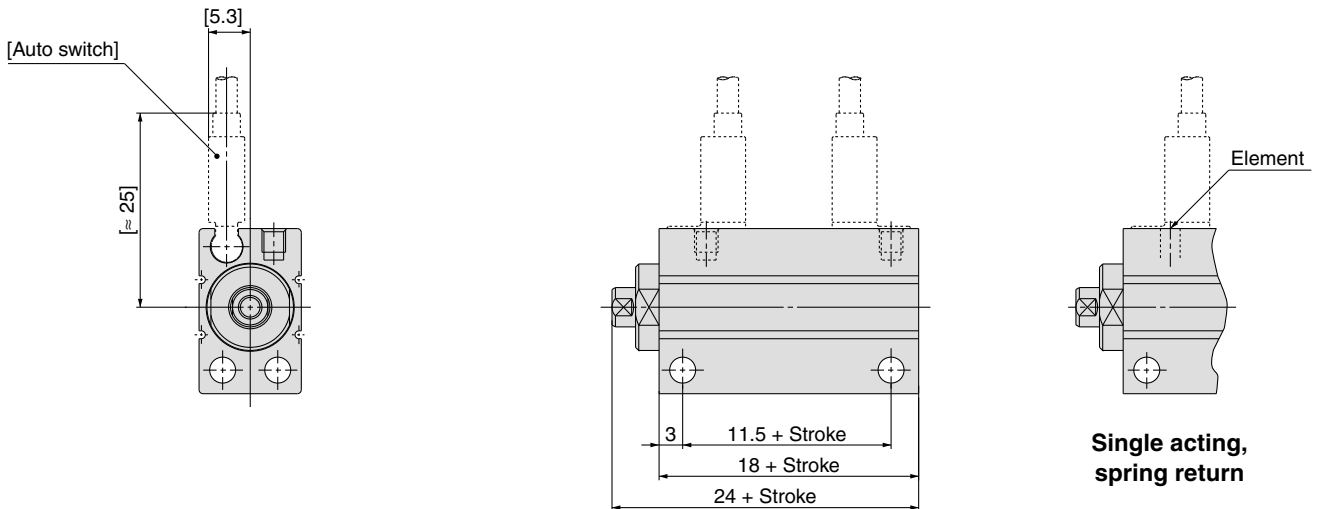
## Dimensions: $\phi 8$ Double Acting; Single Acting, Spring Return

### Without Magnet: CUJB8

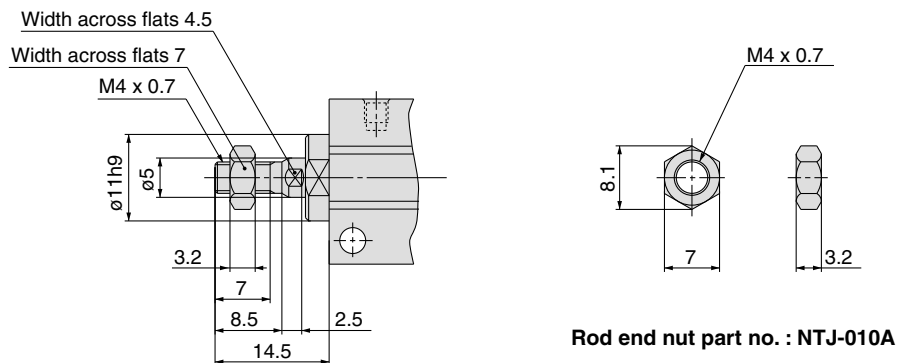
Note) The position of the width across flats may not be parallel to the cylinder tube.



### Built-in Magnet: CDUJB8



### Rod end male threaded



Rod end nut part no. : NTJ-010A

\* Use caution especially when multiple cylinders are used in parallel such as stacking because the body width dimensions have plus tolerances. Contact SMC for a product with body width dimensions having different tolerances.