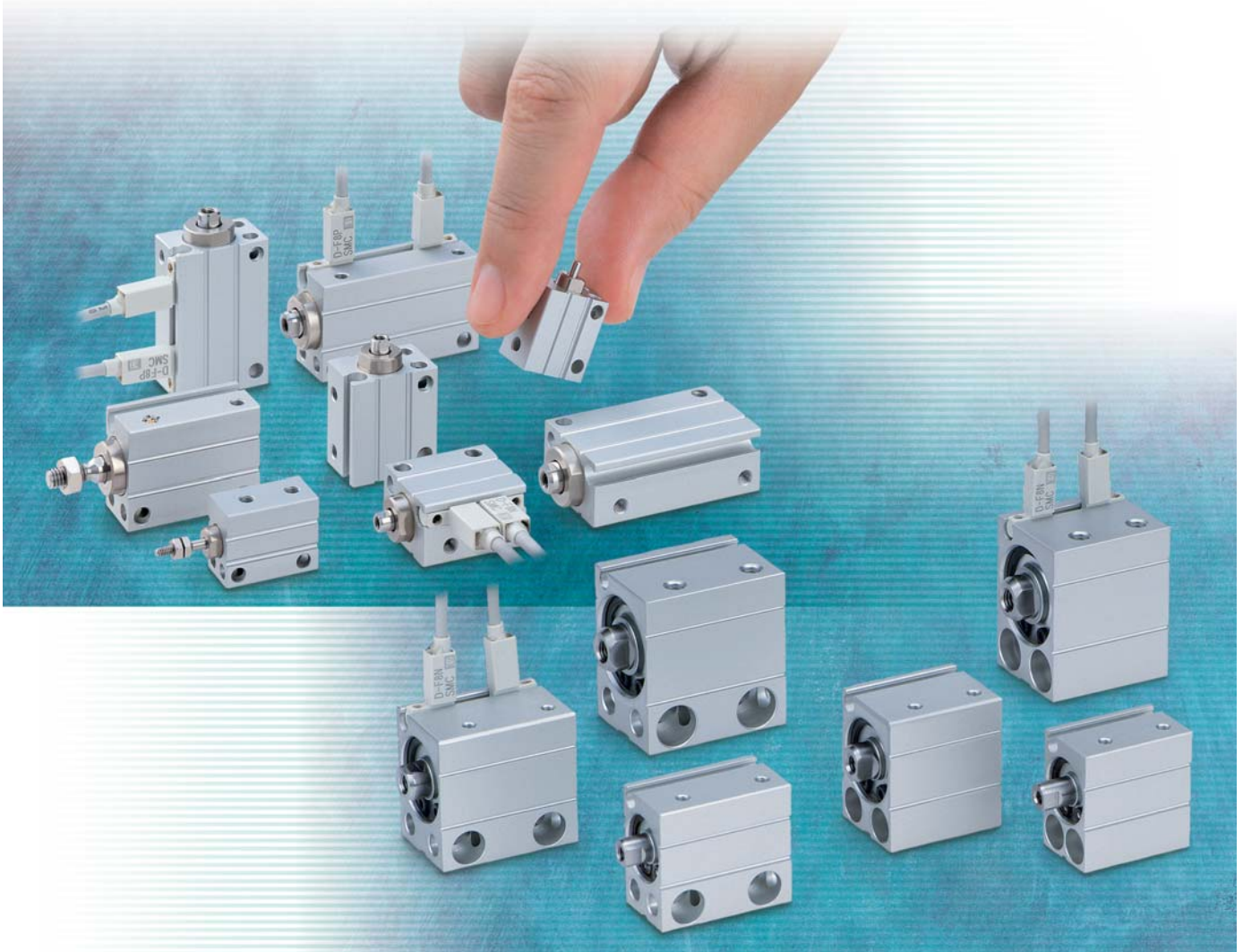


Mini Free Mount Cylinder

ø4, ø6, ø8, ø10, ø12, ø16, ø20



New Added **ø12, ø16, ø20** bore sizes.

● : New additions

Series	Bore size (mm)	Action	Stroke (mm)													Clean series	Auto switch	Rod end	
			4	5	6	8	10	15	20	25	30	35	40	45	50				
CUJ	4	Double acting	●		●	●	●	●	●									None	Male threaded Without thread
		Single acting, spring return	●		●	●	●	●	●										
	6	Double acting	●		●	●	●	●	●	●	●							Solid state switch D-F8□ D-M9□ D-M9□W	Female threaded Male threaded
		Single acting, spring return	●		●	●	●	●	●	●									
	8	Double acting	●		●	●	●	●	●	●	●							Solid state switch D-F8□ D-M9□ D-M9□W	Female threaded Male threaded
		Single acting, spring return	●		●	●	●	●	●	●									
	10	Double acting	●		●	●	●	●	●	●	●	●						Solid state switch D-F8□ D-M9□ D-M9□W	Female threaded Male threaded
		Single acting, spring return	●		●	●	●	●	●	●									
	12	Double acting		●		●	●	●	●	●	●	●	●					Solid state switch D-F8□ D-M9□ D-M9□W	Female threaded Male threaded
		Single acting, spring return		●		●	●	●	●	●	●	●							
	16	Double acting		●		●	●	●	●	●	●	●	●					Solid state switch D-F8□ D-M9□ D-M9□W	Female threaded Male threaded
		Single acting, spring return		●		●	●	●	●	●	●	●							
20	Double acting		●		●	●	●	●	●	●	●	●	●	●	●	●	Solid state switch D-F8□ D-M9□ D-M9□W	Female threaded Male threaded	
	Single acting, spring return		●		●	●	●	●	●	●	●	●	●	●	●				

Series **CUJ**



CAT.ES20-157C

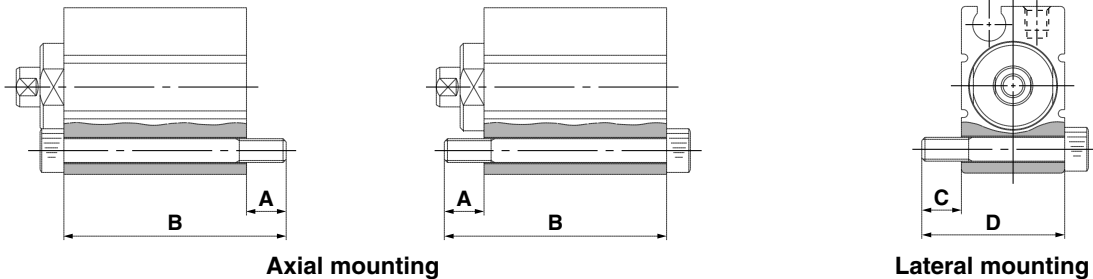
Series CUJ

Mounting

How to Mount: Through-hole mounting bolts are available.

How to Order: Add the "CUJ-" in front of the bolts to be used.

Example) CUJ-M3 x 27 ℓ



Without Auto Switch (Without Magnet)

For Axial Mounting

Cylinder model	A	B	Mounting bolt size
CUJB4-4	4	21	M2.5 x 21 ℓ
-6		23	M2.5 x 23 ℓ
-8		25	M2.5 x 25 ℓ
-10		27	M2.5 x 27 ℓ
-15		32	M2.5 x 32 ℓ
-20		37	M2.5 x 37 ℓ <small>(Note)</small>
CUJB6-4	5	22	M3 x 22 ℓ
-6		24	M3 x 24 ℓ
-8		26	M3 x 26 ℓ
-10		28	M3 x 28 ℓ
-15		33	M3 x 33 ℓ
-20		38	M3 x 38 ℓ
-25	43	M3 x 43 ℓ	
-30	48	M3 x 48 ℓ	
CUJB8-4	5	22	M3 x 22 ℓ
-6		24	M3 x 24 ℓ
-8		26	M3 x 26 ℓ
-10		28	M3 x 28 ℓ
-15		33	M3 x 33 ℓ
-20		38	M3 x 38 ℓ
-25	43	M3 x 43 ℓ	
-30	48	M3 x 48 ℓ	
CUJB10-4	5	22	M3 x 22 ℓ
-6		24	M3 x 24 ℓ
-8		26	M3 x 26 ℓ
-10		28	M3 x 28 ℓ
-15		33	M3 x 33 ℓ
-20		38	M3 x 38 ℓ
-25	43	M3 x 43 ℓ	
-30	48	M3 x 48 ℓ	

Note) Only M2.5 x 37 ℓ is made of stainless steel.

For Lateral Mounting

Cylinder model	C	D	Mounting bolt size
CUJB4-4	4	14	M2.5 x 14 ℓ
-6			
-8			
-10			
-15			
-20			
CUJB6-4	5	18	M3 x 18 ℓ
-6			
-8			
-10			
-15			
-20			
-25			
-30			
CUJB8-4	5	18	M3 x 18 ℓ
-6			
-8			
-10			
-15			
-20			
-25			
-30			
CUJB10-4	5	18	M3 x 18 ℓ
-6			
-8			
-10			
-15			
-20			
-25			
-30			

With Auto Switch (Built-in Magnet)

For Axial Mounting

Cylinder model	A	B	Mounting bolt size
CDUJB6-4	5	27	M3 x 27 ℓ
-6		29	M3 x 29 ℓ
-8		31	M3 x 31 ℓ
-10		33	M3 x 33 ℓ
-15		38	M3 x 38 ℓ
-20		43	M3 x 43 ℓ
-25	48	M3 x 48 ℓ	
-30	53	M3 x 53 ℓ	
CDUJB8-4	5	27	M3 x 27 ℓ
-6		29	M3 x 29 ℓ
-8		31	M3 x 31 ℓ
-10		33	M3 x 33 ℓ
-15		38	M3 x 38 ℓ
-20		43	M3 x 43 ℓ
-25	48	M3 x 48 ℓ	
-30	53	M3 x 53 ℓ	
CDUJB10-4	5	27	M3 x 27 ℓ
-6		29	M3 x 29 ℓ
-8		31	M3 x 31 ℓ
-10		33	M3 x 33 ℓ
-15		38	M3 x 38 ℓ
-20		43	M3 x 43 ℓ
-25	48	M3 x 48 ℓ	
-30	53	M3 x 53 ℓ	

For Lateral Mounting

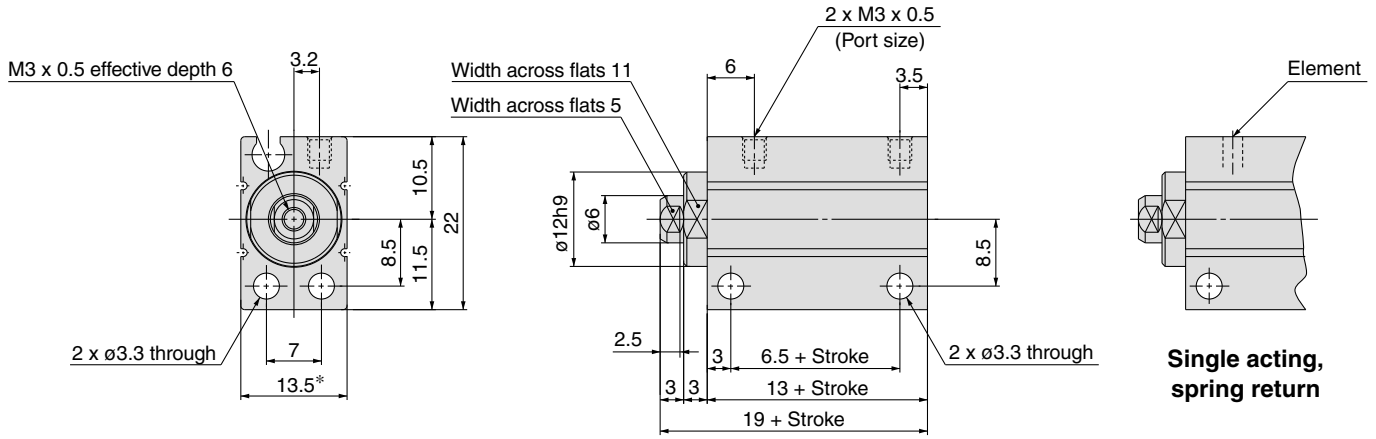
Cylinder model	C	D	Mounting bolt size
CDUJB6-4	5	18	M3 x 18 ℓ
-6			
-8			
-10			
-15			
-20			
-25			
-30			
CDUJB8-4	5	18	M3 x 18 ℓ
-6			
-8			
-10			
-15			
-20			
-25			
-30			
CDUJB10-4	5	18	M3 x 18 ℓ
-6			
-8			
-10			
-15			
-20			
-25			
-30			

Series CUJ

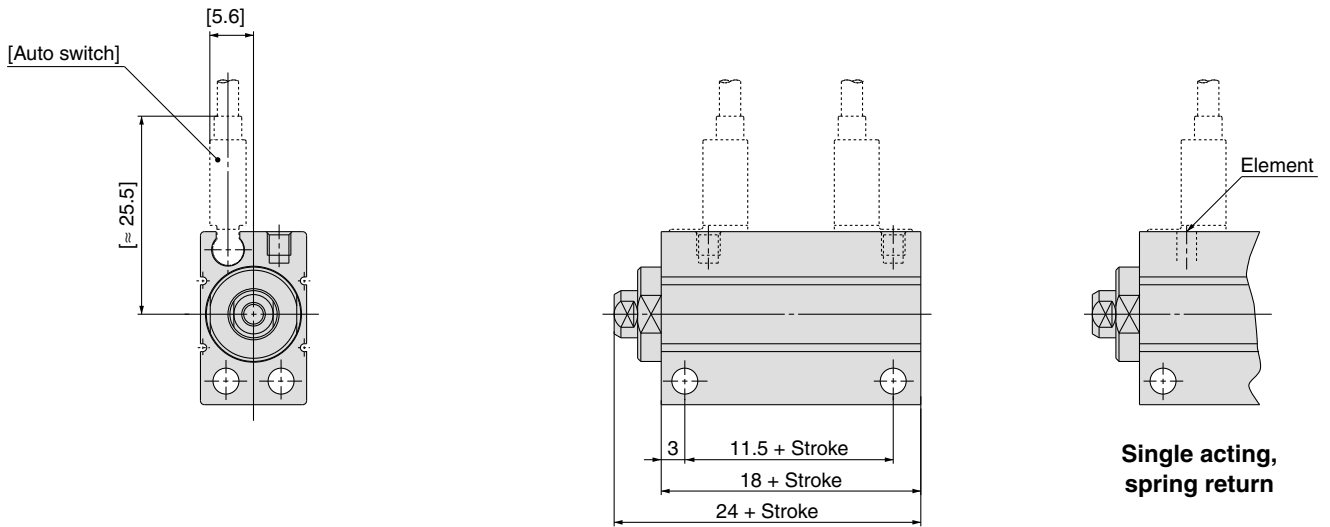
Dimensions: $\phi 10$ Double Acting; Single Acting, Spring Return

Without Magnet: CUJB10

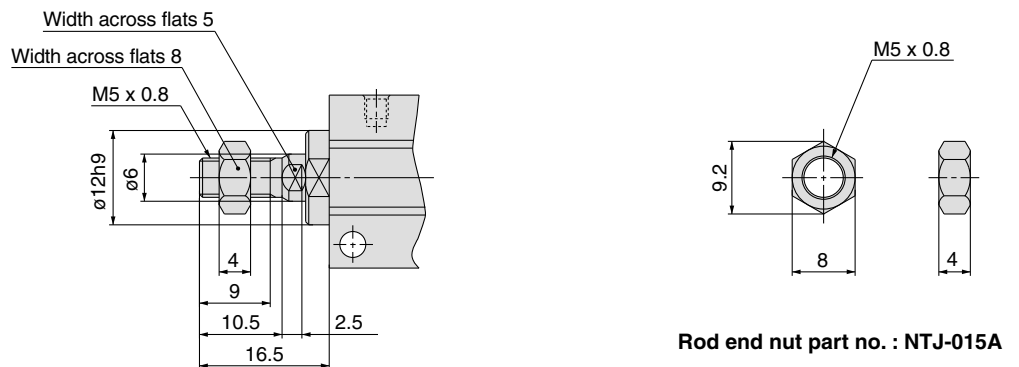
Note) The position of the width across flats may not be parallel to the cylinder tube.



Built-in Magnet: CDUJB10



Rod end male threaded



* Use caution especially when multiple cylinders are used in parallel such as stacking because the body width dimensions have plus tolerances.
Contact SMC for a product with body width dimensions having different tolerances.