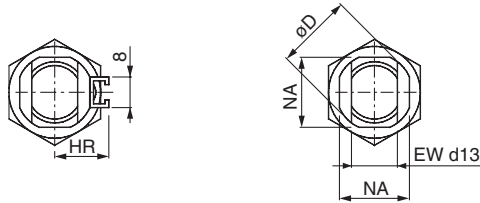


ISO Cylinder: Standard/Non-rotating Type Double Acting, Single/Double Rod **Series C85**

Dimensions

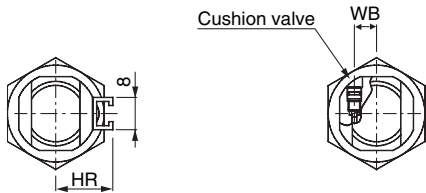
[First angle projection]

Double acting, Single rod
Rubber cushion: C□85N **Bore**—**Stroke**—□
Without magnet, Built-in magnet

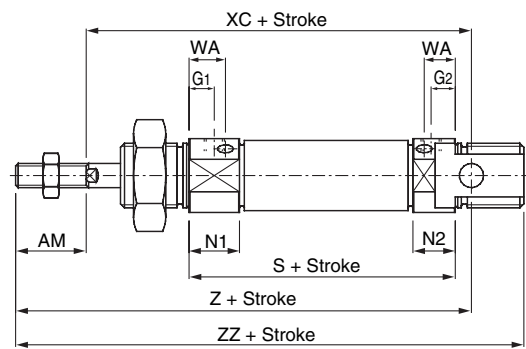
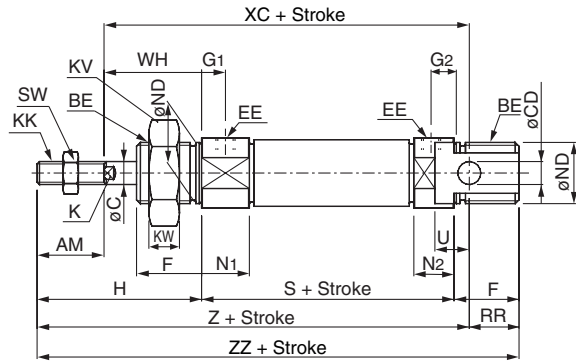


Rail mounting type (A) Band mounting type (B) or non-magnet

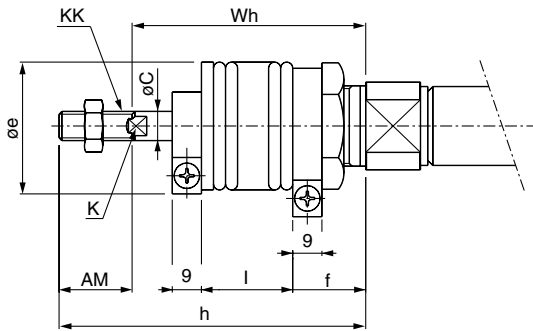
Air cushion: C□85N **Bore**—**Stroke** C—□
Without magnet, Built-in magnet



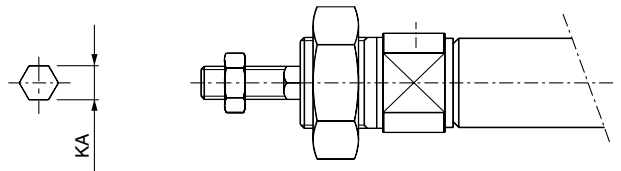
Rail mounting type (A) Band mounting type (B) or non-magnet



With rod boot



C□85KN
Non-rotating, Piston rod (Rubber cushion only)



Rod cross section

Bore	AM	BE	oC	oCD H9	oD	EE	EW	F	G1	G2	WA	WB	H	HR	K	KA	KK	KV	KW	N1	N2	oND h8	RR	S	SW	U	WH	XC	Z	ZZ	
8	12	M12 x 1.25	4	4H9	16.7	M5 x 0.8	8	12	7	5	—	—	28	10	—	4.2	M4 x 0.7	19	6	11.5	9.5	15	12	10	46	7	6	16	64	76	86
10	12	M12 x 1.25	4	4H9	16.7	M5 x 0.8	8	12	7 (5.5)	5 (5.5)	10.5	4.5	28	10.5	—	4.2	M4 x 0.7	19	6	11.5 (13.5)	9.5 (13.5)	15	12	10	46 (53)	7	6	16	64 (71)	76 (83)	86 (93)
12	16	M16 x 1.5	6	6H9	19.7	M5 x 0.8	12	17	8 (5.5)	6 (5.5)	9.5	5.5	38	14	5	6.2	M6 x 1	24	8	12.5 (12.5)	10.5 (12.5)	18.3	16	14	50 (54)	10	9	22	75 (79)	91 (95)	105 (109)
16	16	M16 x 1.5	6	6H9	19.7	M5 x 0.8	12	17	8 (5.5)	6 (5.5)	9.5	5.5	38	14	5	6.2	M6 x 1	24	8	12.5 (12.5)	10.5 (12.5)	18.3	16	13	56 (56)	10	9	22	82 (82)	98 (98)	111 (111)
20	20	M22 x 1.5	8	8	28	G 1/8	16	20	8	8	11.5 (13)	8.5	44	17	6	8.2	M8 x 1.25	32	11	15 (17)	15 (17)	24	22	11	62	13	12	24	95	115	126
25	22	M22 x 1.5	10	8	33.5	G 1/8	16	22	8	8	11.5 (13)	10.5	50	20	8	10.2	M10 x 1.25	32	11	15 (17)	15 (17)	30	22	11	65	17	12	28	104	126	137

(): In the case of air cushion.

With Rod Boot

Bore	Stroke	AM	oC	oe	f	K	KK	h						
								1 to 50	51 to 100	101 to 150	151 to 200	201 to 300	301 to 400	401 to 500
20	20	20	8	36	20	6	M8 x 1.25	71	84	96	109	134	159	—
25	22	22	10	36	20	8	M10 x 1.25	74	87	99	112	137	162	187

Bore	Stroke	Item	l						Wh							
			1 to 50	51 to 100	101 to 150	151 to 200	201 to 300	301 to 400	401 to 500	1 to 50	51 to 100	101 to 150	151 to 200	201 to 300	301 to 400	401 to 500
20	20	Item	12.5	25	37.5	50	75	100	—	51	64	76	89	114	139	—
25	22	Item	12.5	25	37.5	50	75	100	125	52	65	77	90	115	140	165

CJ1

CJP

CJ2

CM2

CG1

MB

MB1

CA2

CS1

C76

C85

C95

CP95

NCM

NCA

D-

-X

20-

Data