

Compact Cylinder

ISO Standards [ISO/21287]

New

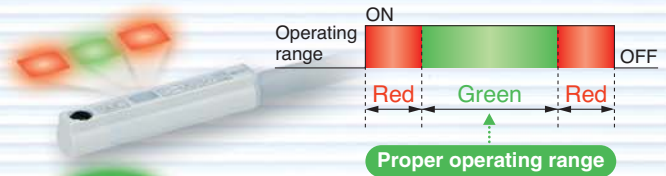
It is possible to mount small auto switches on 4 surfaces.

Auto switches can be mounted on any of the 4 surfaces, depending on the installation conditions. Improved flexibility of system design.



2-color indication solid state auto switch

Appropriate setting of the mounting position can be performed without mistakes.



The **green** light lights up at a proper operating range.

Even if 2-color indication solid state auto switches are fixed at a proper operating range (the green light lights up), the operation may become unstable depending on the installation environment or magnetic field disturbance.

(Magnetic body, external magnetic field, proximal installation of cylinders with built-in magnet and actuators, temperature change, other factors for magnetic force fluctuation during operation, etc.)

NEW Bore sizes
ø80, ø100 added.



Series **C55**



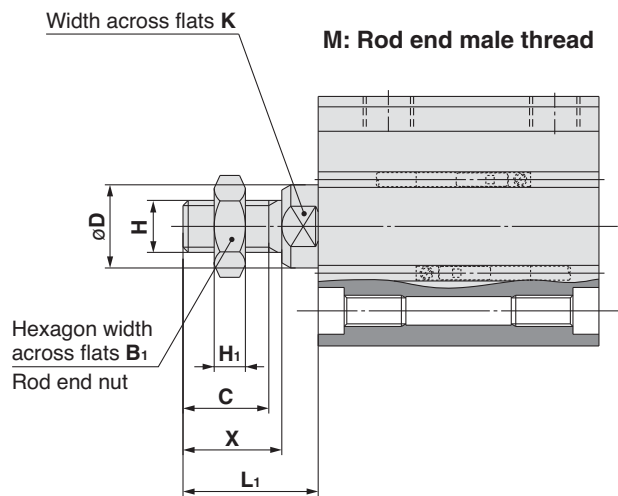
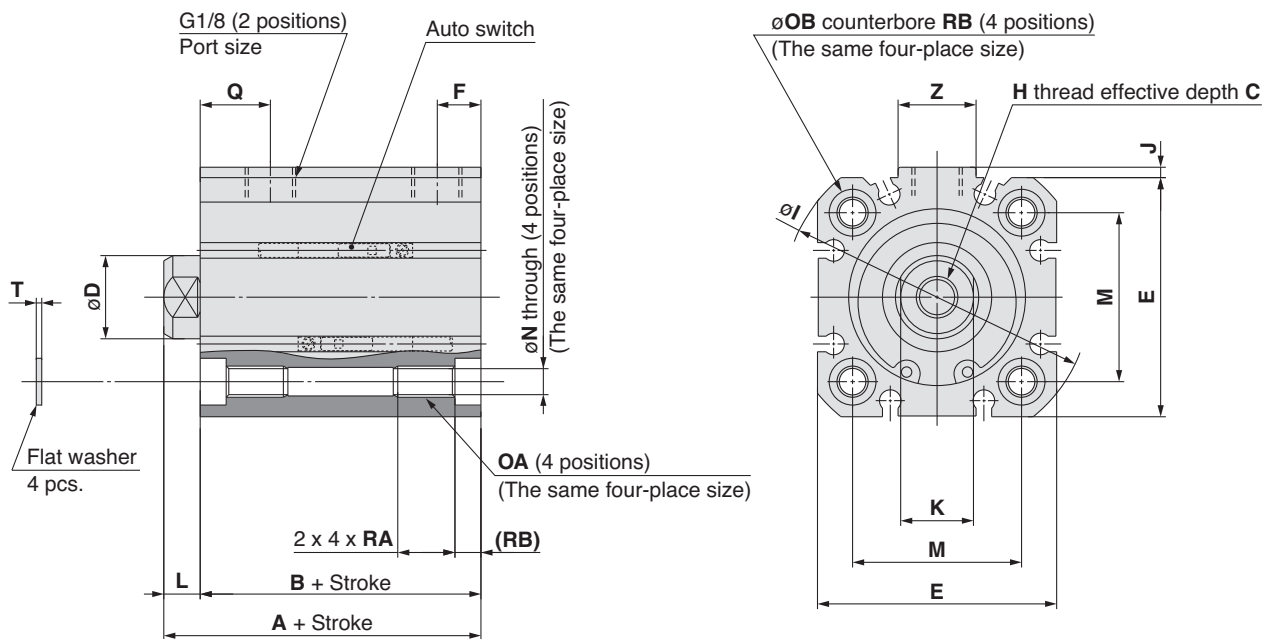
CAT.ES20-184B

Series C55

Dimensions

[First angle projection]

ø32 to ø63



Rod End Male Thread

(mm)

Bore size (mm)	B ₁	C	D	H	H ₁	K	L ₁	X
32	17	16.5	16	M10 x 1.25	6	14	26	19
40	17	16.5	16	M10 x 1.25	6	14	26	19
50	19	19.5	20	M12 x 1.25	7	17	30	22
63	19	19.5	20	M12 x 1.25	7	17	30	22

Basic Style

(mm)

Bore size (mm)	A	B	C	D	E	F	H	I	J	K	L	M	N	OA	OB	Q	RA	RB	T	Z
32	51	44	12	16	46	8.5	M8 x 1.25	59	2	14	7	32.5	5.5	M6 x 1.0	9	14.5	11	5	1	15
40	52	45	12	16	52	9.5	M8 x 1.25	67	3	14	7	38	5.5	M6 x 1.0	9	14.5	11	5	1	17
50	53	45	16	20	64	10.5	M10 x 1.5	82	2	17	8	46.5	6.6	M8 x 1.25	10.5	13.5	15	5	1.6	17
63	57	49	16	20	74	14.5	M10 x 1.5	96	3	17	8	56.5	6.6	M8 x 1.25	10.5	15.5	15	5	1.6	17