

ISO Cylinder

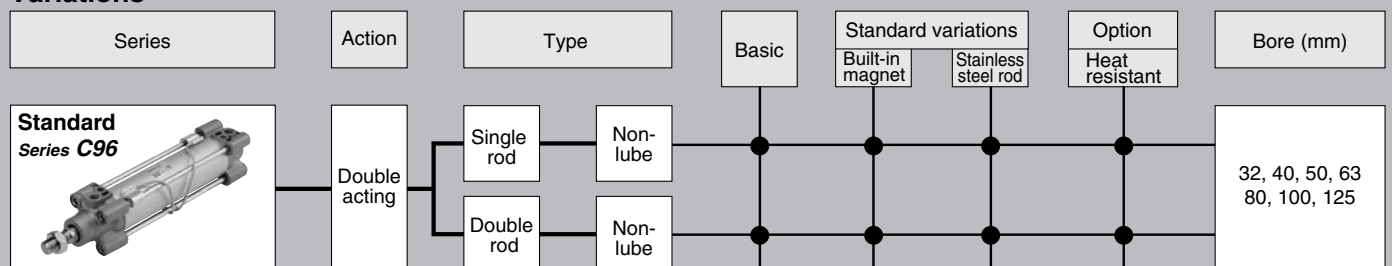
Series C96

ø32, ø40, ø50, ø63, ø80, ø100, ø125

Conforming to ISO 15552



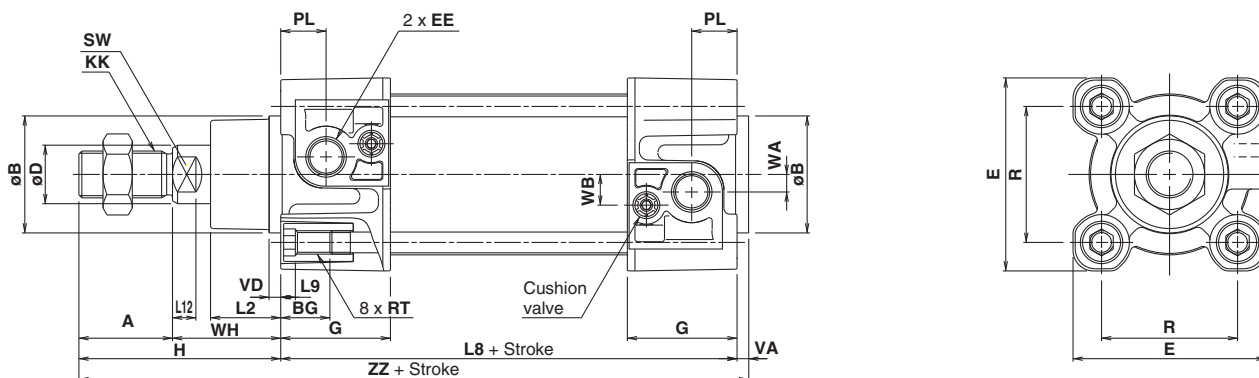
Variations



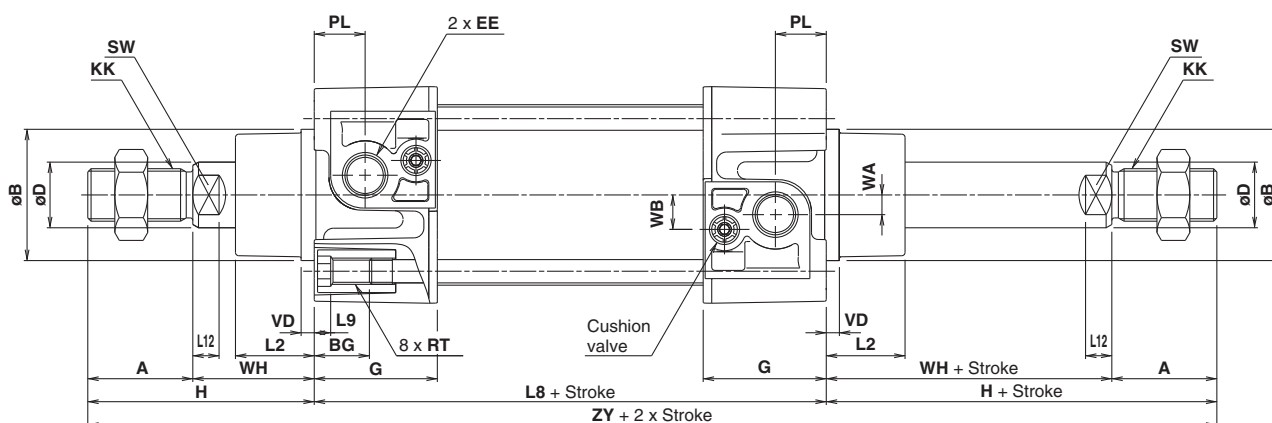
Dimensions: Without Mounting Bracket

[First angle projection]

C96S(D)B



C96S(D)B



Bore size (mm)	A	øB d11	øD	EE	PL	RT	L12	KK	SW	G	BG	L8	VD	VA	WA	WB	WH	ZZ	ZY	E	R	L2	L9	H
32	22	30	12	G 1/8	13	M6 x 1	6	M10 x 1.25	10	32	16	94	4	4	4	7	26	146	190	47	32.5	15	4	48
40	24	35	16	G 1/4	14	M6 x 1	6.5	M12 x 1.25	13	37.5	16	105	4	4	5	9	30	163	213	54	38	17	4	54
50	32	40	20	G 1/4	15.5	M8 x 1.25	8	M16 x 1.5	17	37.5	16	106	4	4	6	10.5	37	179	244	66	46.5	24	5	69
63	32	45	20	G 3/8	16.5	M8 x 1.25	8	M16 x 1.5	17	45	16	121	4	4	9	12	37	194	259	77	56.5	24	5	69
80	40	45	25	G 3/8	19	M10 x 1.5	10	M20 x 1.5	22	45	17	128	4	4	11.5	14	46	218	300	99	72	30	—	86
100	40	55	25	G 1/2	19	M10 x 1.5	10	M20 x 1.5	22	50	17	138	4	4	17	15	51	233	320	118	89	32	—	91
125	54	60	32	G 1/2	19	M12 x 1.75	13	M27 x 2	27	58	20	160	6	6	17	15	65	285	398	144	110	40	—	119