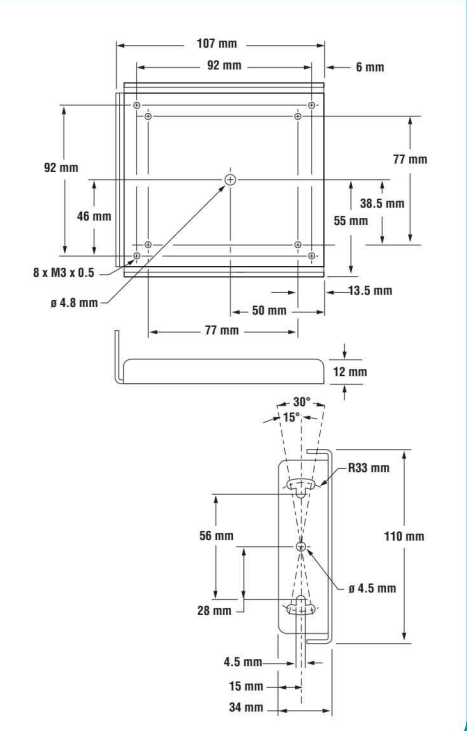


RMB100

- Protective mounting bracket for retroreflective targets
- 14-ga. 316 stainless steel
- Includes stainless steel M3 x 0.5 hardware



Used With

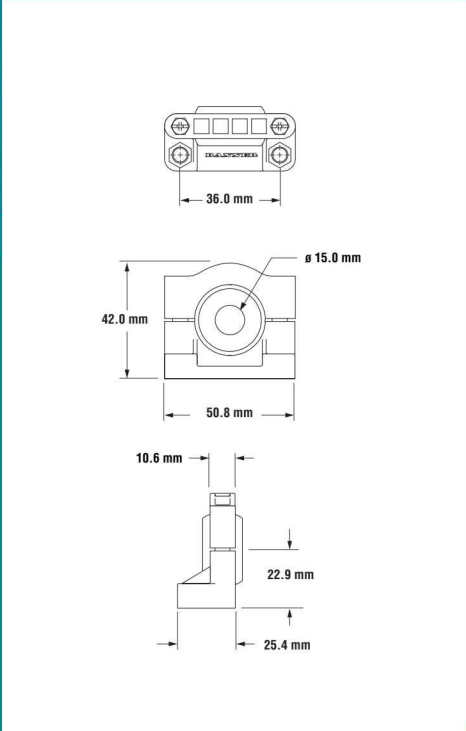
Reflectors:

- BRT-92X92C..
- BRT-77X77C
- BRT-3
- BRT-84

MORE INFO ONLINE

SMB1815SF

- Swivel with set screws for mounting sensors by the cable hub
- Black reinforced thermoplastic polyester
- Includes stainless steel swivel locking hardware and hex wrench



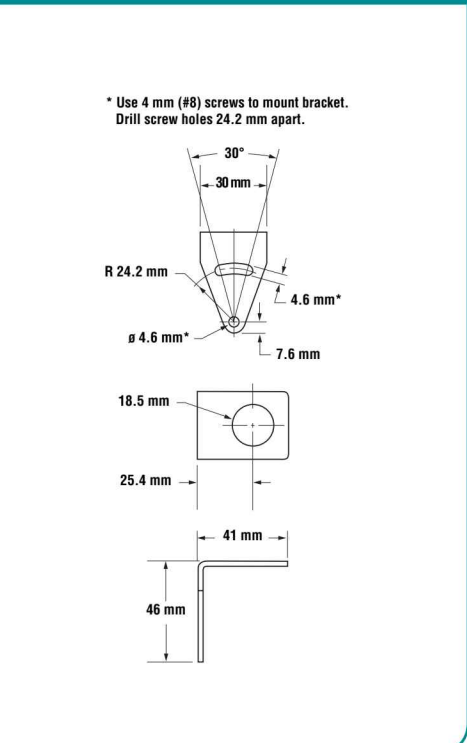
Used With

- T18
- T18U
- T30
- T30U
- EZ-LIGHT T18
- EZ-LIGHT T30

MORE INFO ONLINE

SMB18A

- 12-ga. stainless steel right-angle mounting bracket with a curved mounting slot for versatility and orientation
- Clearance for M4 (#8) hardware



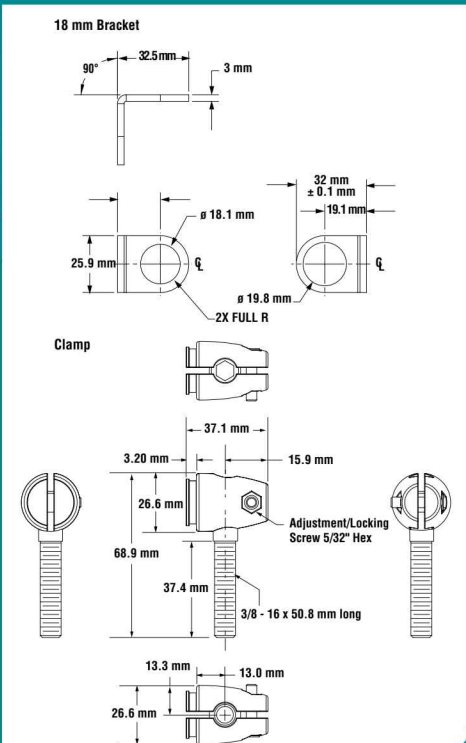
Used With

- QS18
- MINI-BEAM
- M18
- Q25
- S18
- T18
- T-GAGE M18T
- S18U
- QS18U
- Q45UR Barrels
- T18U
- EZ-LIGHT T18
- EZ-LIGHT M18

MORE INFO ONLINE

SMB18FA

- 14-ga. 304 stainless steel
- 18 mm swivel bracket with tilt and pan movement for precision adjustment



Used With

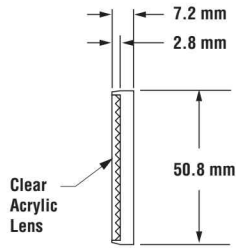
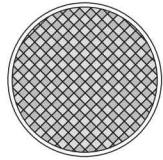
- QS18
- MINI-BEAM
- S18
- M18
- T18
- Q25
- S18U
- QS18U
- Q45UR Barrels
- T18U
- SMBQS18A
- SMBQS18Y
- EZ-LIGHT T18
- EZ-LIGHT M18

MORE INFO ONLINE

ACCESSORIES

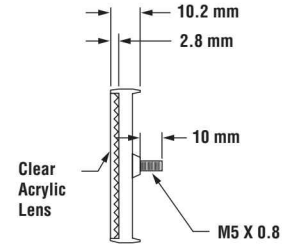
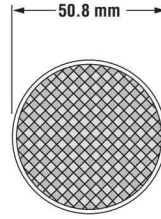
BRT-50

Description: Round, acrylic target
 Reflectivity Factor: 1.0
 Max. Temperature: 65° C



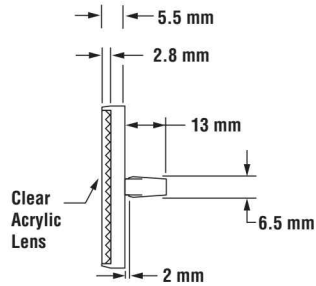
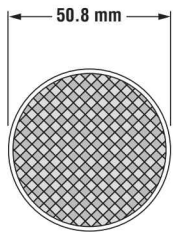
BRT-50D

Description: Round, acrylic target with mounting stud.
 Reflectivity Factor: 1.0
 Max. Temperature: 65° C
 Other: Optional brackets are available. See Brackets on page 354.



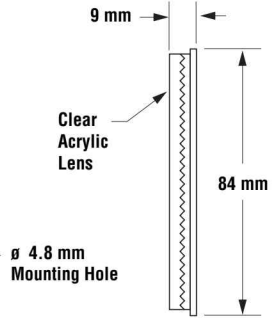
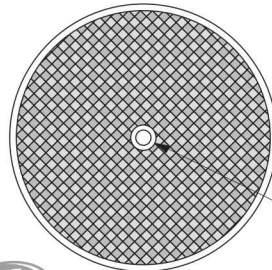
BRT-50R

Description: Round, rivet-secured acrylic target
 Reflectivity Factor: 1.0
 Max. Temperature: 50° C
 Other: Optional brackets are available. See Brackets on page 354.



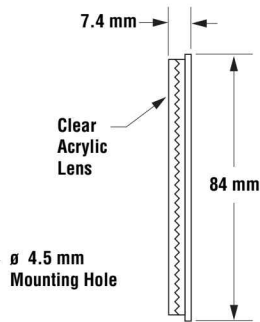
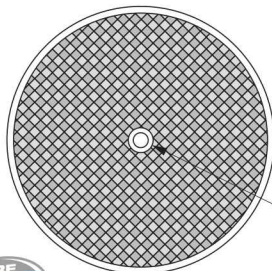
BRT-3

Description: Round, acrylic target
 Reflectivity Factor: 1.0
 Max. Temperature: 65° C
 Other: Optional brackets are available. See Brackets on pages 354 and 355.



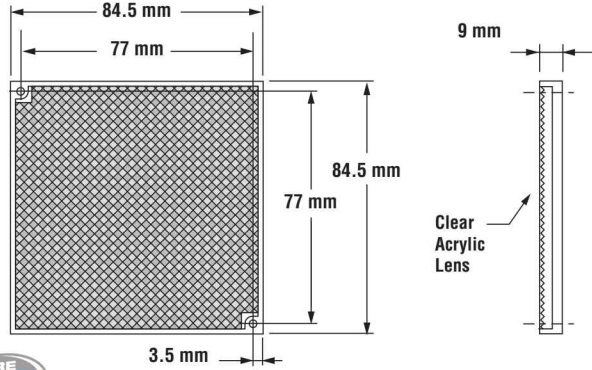
BRT-84

Description: Round, acrylic target
 Reflectivity Factor: 1.4
 Max. Temperature: 65° C
 Other: Optional brackets are available. See Brackets on pages 354 and 355.



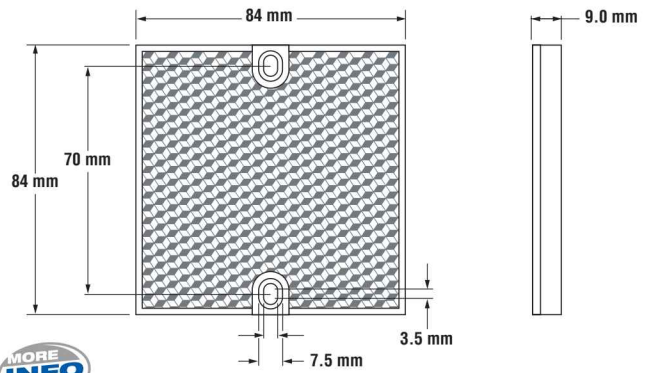
BRT-77X77C

Description: Square, acrylic target
Reflectivity Factor: 2.0
Max. Temperature: 50° C
Other: Optional brackets are available. See Brackets on pages 354 and 355.



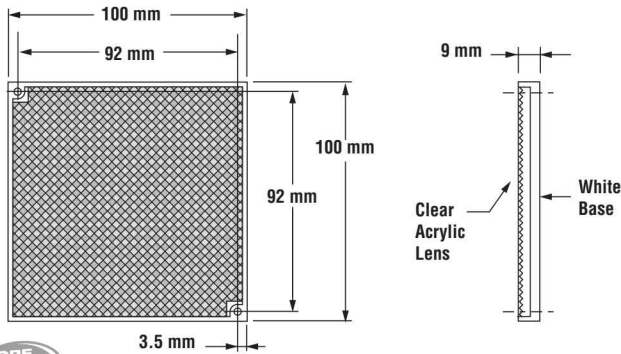
BRT-84X84A

Description: Square, acrylic target
Reflectivity Factor: 2.0
Max. Temperature: 50° C



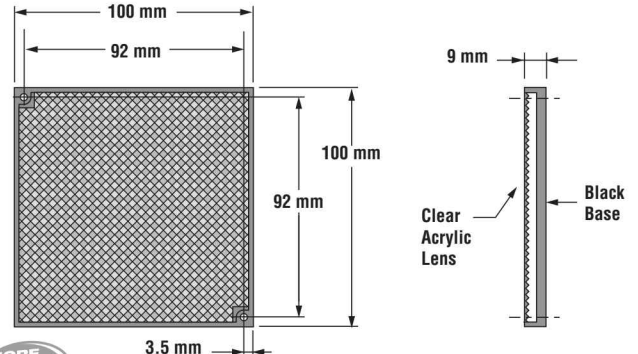
BRT-92X92C

Description: Square, acrylic target
Reflectivity Factor: 3.0
Max. Temperature: 50° C
Other: Optional brackets are available. See Brackets on page 355.



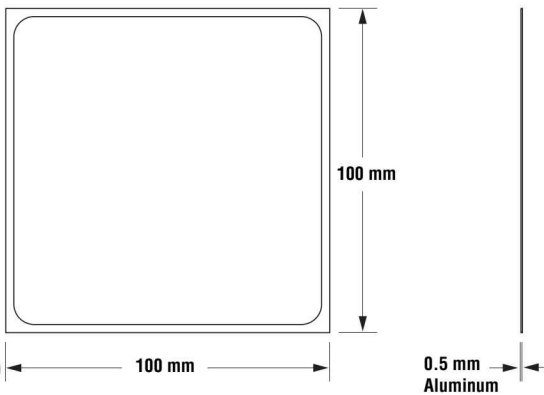
BRT-92X92CB

Description: Square, acrylic target with black mounting base
Reflectivity Factor: 3.0
Max. Temperature: 50° C
Other: Optional brackets are available. See Brackets on page 355.



BRT-4HT

Description: Square, aluminum target
Reflectivity Factor: 0.15
Max. Temperature: 480° C
Other: This target is not recommended for polarized retroreflective sensors.



BRT-250
BRT-540
BRT-700

• 250 x 250 mm
 • 540 x 540 mm
 • 700 x 700 mm
Other: Square reflector with rigid aluminum backing for use with LT7

