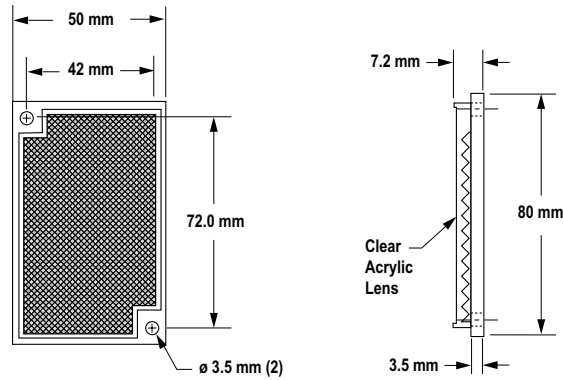
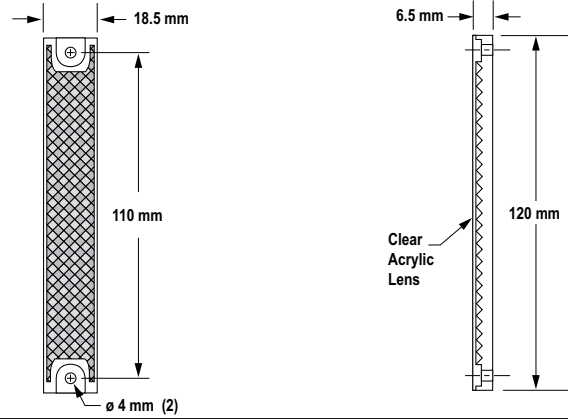


BRT-80X50CM

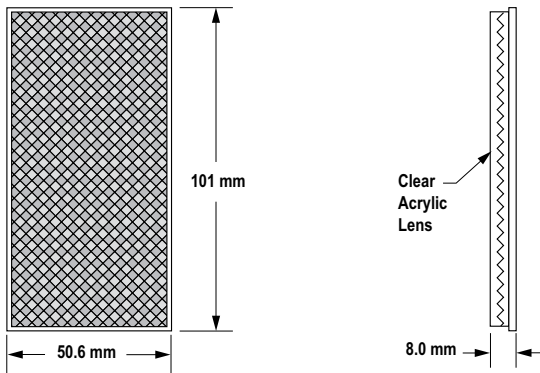
Description: Rectangular, acrylic target
Reflectivity Factor: 1.4
Temperature: -20° to +60° C
Other: This target has micro-prism geometry.

**BRT-100X18A**

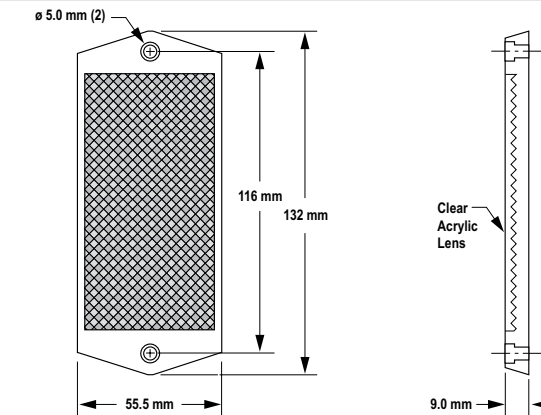
Description: Rectangular, acrylic target
Reflectivity Factor: 1.4
Temperature: -20° to +60° C

**BRT-100X50**

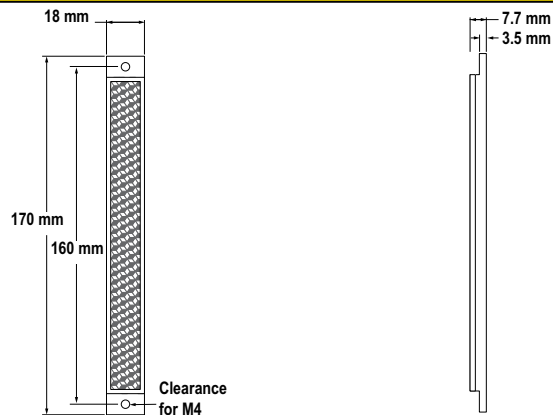
Description: Rectangular, acrylic target
Reflectivity Factor: 1.5
Temperature: -20° to +60° C

**BRT-100X55A**

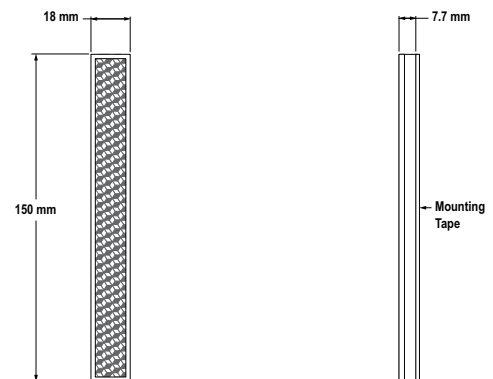
Description: Rectangular, acrylic target
Reflectivity Factor: 1.5
Temperature: -20° to +60° C

**BRT-150X18A**

Description: Rectangular, acrylic target
Reflectivity Factor: 1.4
Temperature: -20° to +60° C

**BRT-150X18T**

Description: Rectangular, acrylic target includes mounting tape.
Reflectivity Factor: 1.4
Temperature: -20° to 60° C



More on next page