

Product data sheet

Specifications



extender kit, Modicon M340, for X80 backplane

BMXXBE2005

Main

Range of product	Modicon M340 automation platform
Accessory / separate part category	Connection accessories
Accessory / separate part type	Backplane
Accessory / separate part designation	M340 backplane extender kit
Product compatibility	BMXXBE1000
Accessory / separate part destination	M340 backplane

Complementary

Kit composition	Cable and line terminator
-----------------	---------------------------

Environment

Directives	2014/35/EU - low voltage directive 2014/30/EU - electromagnetic compatibility 2014/34/EU - ATEX directive
------------	---

Product certifications	CE UL CSA RCM EAC Merchant Navy ATEX zone 2/22 IECEX zone 2/22
------------------------	---

Standards	EN/IEC 61131-2 EN/IEC 61010-2-201 UL 61010-2-201 CSA C22.2 No 61010-2-201 IACS E10 EN/IEC 61000-6-5, interface type 1 and type 2 EN/IEC 61850-3, location G EN/IEC 60079-0
-----------	---

Environmental characteristic	Hazardous location class I division 2
------------------------------	---------------------------------------

Packing Units

Unit Type of Package 1	Db
Number of Units in Package 1	1
Package 1 Height	6.200 cm
Package 1 Width	20.300 cm

Package 1 Length	22.200 cm
Package 1 Weight	612.000 g
Unit Type of Package 2	S04
Number of Units in Package 2	10
Package 2 Height	30.000 cm
Package 2 Width	40.000 cm
Package 2 Length	60.000 cm
Package 2 Weight	6.955 kg

Offer Sustainability

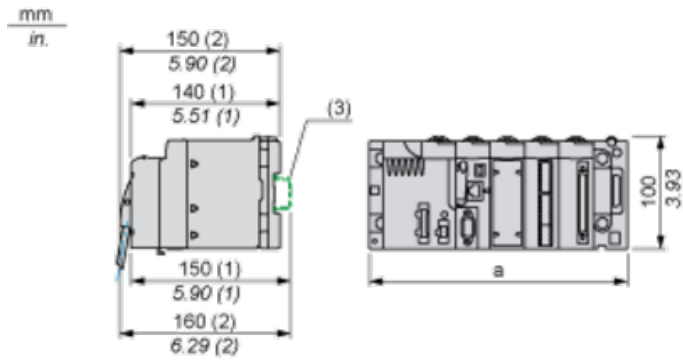
Sustainable offer status	Green Premium product
REACH Regulation	REACH Declaration
REACH free of SVHC	Yes
EU RoHS Directive	Pro-active compliance (Product out of EU RoHS legal scope) EU RoHS Declaration
Mercury free	Yes
China RoHS Regulation	China RoHS declaration
RoHS exemption information	Yes
Environmental Disclosure	Product Environmental Profile
Circularity Profile	End of Life Information
California proposition 65	WARNING: This product can expose you to chemicals including: Lead and lead compounds, which is known to the State of California to cause cancer and birth defects or other reproductive harm. For more information go to www.P65Warnings.ca.gov

Contractual warranty

Warranty	18 months
----------	-----------

Modules Mounted on Racks

Dimensions



(1) With removable terminal block (cage, screw or spring).

(2) With FCN connector.

(3) On AM1 ED rail: 35 mm wide, 15 mm deep. Only possible with BMXXBP0400/0400H/0600/0600H/0800/0800H rack.

Rack references	a in mm	a in in.
BMXXBP0400 and BMXXBP0400H	242.4	09.54
BMXXBP0600 and BMXXBP0600H	307.6	12.11
BMXXBP0800 and BMXXBP0800H	372.8	14.68
BMXXBP1200 and BMXXBP1200H	503.2	19.81

Recommended replacement(s)