

Product data sheet

Specifications



backplane expander, Modicon M340, for multirack configuration, ruggedized

BMXXBE1000H

Main

Range of product	Modicon M340 automation platform
Accessory / separate part category	Extension accessory
Accessory / separate part type	Backplane
Accessory / separate part designation	Ruggedized backplane expander
Product compatibility	BMXXBP1200 BMXXBP0800 BMXXBP0600 BMXXBP0400
Accessory / separate part destination	For multiracks configuration
Product specific application	For severe environments

Complementary

Electrical connection	2 female connectors SUB-D 9
Local signalling	1 LED green for operating status (RUN) bus 1 LED red for collision error (COL) rack 4 LEDs green for rack addresses status
Current consumption	160 mA at 24 V DC 22 mA at 3.3 V DC
Module format	Standard

Environment

IP degree of protection	IP20
Ambient air temperature for operation	-25...70 °C
Relative humidity	10...95 % without condensation
Directives	2014/35/EU - low voltage directive 2014/30/EU - electromagnetic compatibility 2014/34/EU - ATEX directive
Product certifications	CE UL CSA RCM EAC Merchant Navy ATEX zone 2/22 IECEx zone 2/22
Standards	EN/IEC 61131-2

EN/IEC 61010-2-201
 UL 61010-2-201
 CSA C22.2 No 61010-2-201
 IACS E10
 EN/IEC 61000-6-5, interface type 1 and type 2
 EN/IEC 61850-3, location G
 EN/IEC 60079-0

Environmental characteristic	Gas resistant class Gx conforming to ISA S71.04 Gas resistant class 3C4 conforming to IEC 60721-3-3 Dust resistant class 3S4 conforming to IEC 60721-3-3 Sand resistant class 3S4 conforming to IEC 60721-3-3 Salt resistant level 2 conforming to IEC 68252 Mold growth resistant class 3B2 conforming to IEC 60721-3-3 Fungal spore resistant class 3B2 conforming to IEC 60721-3-3 Hazardous location class I division 2 3C3 conforming to EN/IEC 60721-3-3 3C4 conforming to EN/IEC 60721-3-3
-------------------------------------	--

Protective treatment	Conformal coating
-----------------------------	-------------------

Packing Units

Unit Type of Package 1	PCE
Number of Units in Package 1	1
Package 1 Height	5.5 cm
Package 1 Width	11.0 cm
Package 1 Length	11.7 cm
Package 1 Weight	180.0 g
Unit Type of Package 2	S02
Number of Units in Package 2	15
Package 2 Height	15.0 cm
Package 2 Width	30.0 cm
Package 2 Length	40.0 cm
Package 2 Weight	2.956 kg

Offer Sustainability

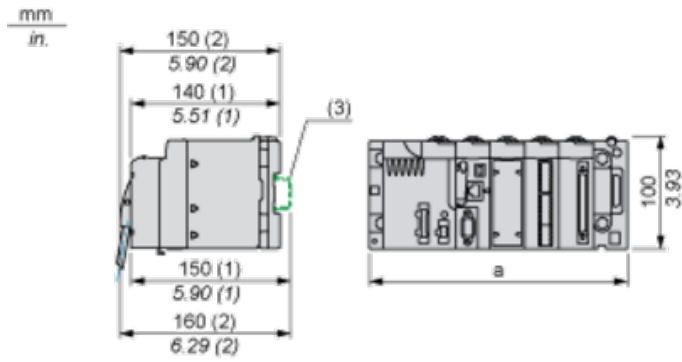
Sustainable offer status	Green Premium product
REACH Regulation	REACH Declaration
REACH free of SVHC	Yes
EU RoHS Directive	Pro-active compliance (Product out of EU RoHS legal scope) EU RoHS Declaration
Mercury free	Yes
China RoHS Regulation	China RoHS declaration
RoHS exemption information	Yes
Environmental Disclosure	Product Environmental Profile
Circularity Profile	End of Life Information
California proposition 65	WARNING: This product can expose you to chemicals including: Lead and lead compounds, which is known to the State of California to cause cancer and birth defects or other reproductive harm. For more information go to www.P65Warnings.ca.gov

Contractual warranty

Warranty	18 months
-----------------	-----------

Modules Mounted on Racks

Dimensions



(1) With removable terminal block (cage, screw or spring).

(2) With FCN connector.

(3) On AM1 ED rail: 35 mm wide, 15 mm deep. Only possible with BMXXBP0400/0400H/0600/0600H/0800/0800H rack.

Rack references	a in mm	a in in.
BMXXBP0400 and BMXXBP0400H	242.4	09.54
BMXXBP0600 and BMXXBP0600H	307.6	12.11
BMXXBP0800 and BMXXBP0800H	372.8	14.68
BMXXBP1200 and BMXXBP1200H	503.2	19.81

Recommended replacement(s)