

Product datasheet

Specifications



Discrete output module, Modicon X80, 8 NO relay outputs, 24 to 240V AC / 24 to 125V DC, for severe environments

BMXDRA0815H

Main

Range of product	Modicon X80
Product or component type	Relay discrete output module
Product specific application	For severe environments
Discrete output number	8 conforming to EN/IEC 61131-2
Discrete output logic	Positive
Discrete output voltage	24...240 V 19...264 V AC 24...125 V 5...150 V DC

Complementary

Electrical connection	20 ways terminal block
Network frequency	50/60 Hz
Network frequency limits	47...63 Hz
Sensor power supply	5...150 V 19...264 V
[I _{th}] conventional free air thermal current	3 A
Insulation resistance	> 10 MOhm 500 V DC
Power dissipation in W	3.6 W
Response time on output	<= 10 ms activation <= 13 ms deactivation
Typical current consumption	40 mA at 3.3 V DC 101 mA at 24 V DC
MTBF reliability	3200000 H
Protection type	External short-circuit protection External overload protection External overvoltage protection, inductive AC network External overvoltage protection, inductive DC network
Output overload protection	Use 1 fast blow fuse per channel or group of channel
Output overvoltage protection	Use discharge diode on each output DC Use RC circuit on each output AC Use ZNO surge limiter on each output AC
Output short-circuit protection	Use 1 fast blow fuse per channel or group of channel
Minimum switching current	1 mA 5 V DC
Electrical durability	AC-12: 200000 cycles at 48 VA 24 V at -25...60 °C AC-12: 200000 cycles at 28.8 VA 24 V at 70 °C AC-12: 300000 cycles at 48 VA 48 V at -25...60 °C AC-12: 300000 cycles at 28.8 VA 48 V at 70 °C

AC-12: 150000 cycles at 96 VA 48 V at -25...60 °C
 AC-12: 150000 cycles at 57.6 VA 48 V at 70 °C
 AC-12: 300000 cycles at 110 VA 100...120 V at -25...60 °C
 AC-12: 300000 cycles at 66 VA 100...120 V at 70 °C
 AC-12: 150000 cycles at 220 VA 100...120 V at -25...60 °C
 AC-12: 150000 cycles at 132 VA 100...120 V at 70 °C
 AC-12: 300000 cycles at 220 VA 200...250 V at -25...60 °C
 AC-12: 300000 cycles at 132 VA 200...250 V at 70 °C
 AC-12: 150000 cycles at 500 VA 200...250 V at -25...60 °C
 AC-12: 150000 cycles at 300 VA 200...250 V at 70 °C
 AC-15: 700000 cycles at 10 VA 24 V at -25...60 °C (load factor 0.4)
 AC-15: 700000 cycles at 6 VA 24 V at 70 °C (load factor 0.4)
 AC-15: 500000 cycles at 24 VA 24 V at -25...60 °C (load factor 0.4)
 AC-15: 500000 cycles at 14.4 VA 24 V at 70 °C (load factor 0.4)
 AC-15: 200000 cycles at 48 VA 24 V at -25...60 °C (load factor 0.4)
 AC-15: 200000 cycles at 28.8 VA 24 V at 70 °C (load factor 0.4)
 AC-15: 700000 cycles at 10 VA 48 V at -25...60 °C (load factor 0.4)
 AC-15: 700000 cycles at 6 VA 48 V at 70 °C (load factor 0.4)
 AC-15: 500000 cycles at 24 VA 48 V at -25...60 °C (load factor 0.4)
 AC-15: 500000 cycles at 14.4 VA 48 V at 70 °C (load factor 0.4)
 AC-15: 300000 cycles at 48 VA 48 V at -25...60 °C (load factor 0.4)
 AC-15: 300000 cycles at 28.8 VA 48 V at 70 °C (load factor 0.4)
 AC-15: 100000 cycles at 96 VA 48 V at -25...60 °C (load factor 0.4)
 AC-15: 100000 cycles at 57.6 VA 48 V at 70 °C (load factor 0.4)
 AC-15: 1000000 cycles at 10 VA 100...120 V at -25...60 °C (load factor 0.4)
 AC-15: 1000000 cycles at 6 VA 100...120 V at 70 °C (load factor 0.4)
 AC-15: 300000 cycles at 50 VA 100...120 V at -25...60 °C (load factor 0.4)
 AC-15: 300000 cycles at 30 VA 100...120 V at 70 °C (load factor 0.4)
 AC-15: 200000 cycles at 110 VA 100...120 V at -25...60 °C (load factor 0.4)
 AC-15: 200000 cycles at 66 VA 100...120 V at 70 °C (load factor 0.4)
 AC-15: 70000 cycles at 220 VA 100...120 V at -25...60 °C (load factor 0.4)
 AC-15: 70000 cycles at 132 VA 100...120 V at 70 °C (load factor 0.4)
 AC-15: 1000000 cycles at 10 VA 200...250 V at -25...60 °C (load factor 0.4)
 AC-15: 1000000 cycles at 6 VA 200...250 V at 70 °C (load factor 0.4)
 AC-15: 500000 cycles at 50 VA 200...250 V at -25...60 °C (load factor 0.4)
 AC-15: 500000 cycles at 30 VA 200...250 V at 70 °C (load factor 0.4)
 AC-15: 200000 cycles at 110 VA 200...250 V at -25...60 °C (load factor 0.4)
 AC-15: 200000 cycles at 66 VA 200...250 V at 70 °C (load factor 0.4)
 AC-15: 150000 cycles at 220 VA 200...250 V at -25...60 °C (load factor 0.4)
 AC-15: 150000 cycles at 132 VA 200...250 V at 70 °C (load factor 0.4)
 DC-12: 200000 cycles at 24 W 24 V at -25...60 °C
 DC-12: 200000 cycles at 14.4 W 24 V at 70 °C
 DC-12: 150000 cycles at 48 W 24 V at -25...60 °C
 DC-12: 150000 cycles at 28.8 W 24 V at 70 °C
 DC-12: 150000 cycles at 40 W 48...60 V at -25...60 °C
 DC-12: 150000 cycles at 24 W 48...60 V at 70 °C
 DC-12: 100000 cycles at 45 W 100...125 V at -25...60 °C
 DC-12: 60000 cycles at 45 W 100...125 V at 70 °C
 DC-13: 100000 cycles at 10 W 24 V at -25...60 °C
 DC-13: 100000 cycles at 6 W 24 V at 70 °C
 DC-13: 60000 cycles at 24 W 24 V at -25...60 °C
 DC-13: 60000 cycles at 14.4 W 24 V at 70 °C
 DC-13: 40000 cycles at 48 W 24 V at -25...60 °C
 DC-13: 40000 cycles at 28.8 W 24 V at 70 °C
 DC-13: 40000 cycles at 40 W 48...60 V at -25...60 °C
 DC-13: 40000 cycles at 24 W 48...60 V at 70 °C
 DC-13: 100000 cycles at 15 W 100...125 V at -25...60 °C
 DC-13: 40000 cycles at 15 W 100...125 V at 70 °C

Status LED	1 LED (green) RUN 1 LED per channel (green) channel diagnostic 1 LED (red) ERR 1 LED (red) I/O
-------------------	---

Net weight	0.169 kg
-------------------	----------

Environment

IP degree of protection	IP20
--------------------------------	------

Environmental characteristic	Gas resistant class Gx Gas resistant class 3C4 Dust resistant class 3S4 Sand resistant class 3S4 Salt resistant level 2 Mold growth resistant class 3B2 Fungal spore resistant class 3B2
-------------------------------------	--

Dielectric strength	1780 V AC at 50/60 Hz 1 min
----------------------------	-----------------------------

Vibration resistance	3 gn
-----------------------------	------

Shock resistance	30 gn
-------------------------	-------

Ambient air temperature for storage	-40...85 °C
--	-------------

Ambient air temperature for operation	-25...70 °C
--	-------------

Relative humidity	0...95 % at 60 °C without condensation
Protective treatment	Conformal coating
Operating altitude	0...2000 m 2000...5000 m with derating factor

Packing Units

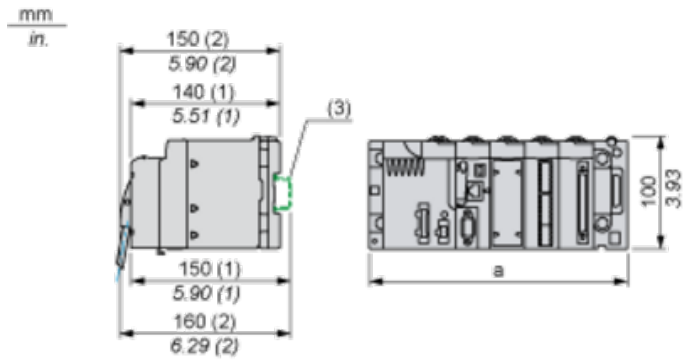
Unit Type of Package 1	PCE
Number of Units in Package 1	1
Package 1 Height	5.500 cm
Package 1 Width	11.600 cm
Package 1 Length	12.300 cm
Package 1 Weight	207.000 g
Unit Type of Package 2	S02
Number of Units in Package 2	15
Package 2 Height	15.000 cm
Package 2 Width	30.000 cm
Package 2 Length	40.000 cm
Package 2 Weight	3.442 kg

Offer Sustainability

REACH Regulation	REACH Declaration
EU RoHS Directive	Pro-active compliance (Product out of EU RoHS legal scope) EU RoHS Declaration
Mercury free	Yes
China RoHS Regulation	China RoHS declaration
RoHS exemption information	Yes
WEEE	The product must be disposed on European Union markets following specific waste collection and never end up in rubbish bins

Modules Mounted on Racks

Dimensions



(1) With removable terminal block (cage, screw or spring).

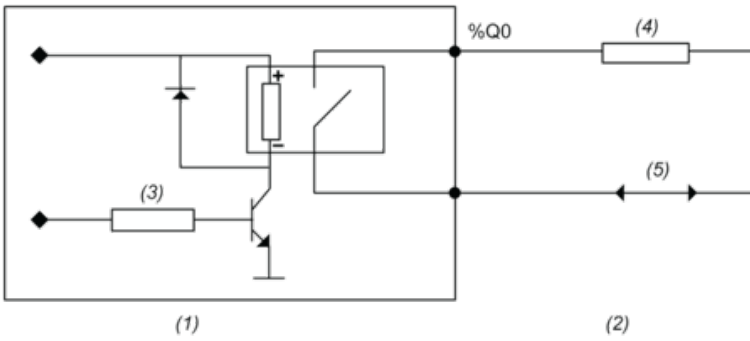
(2) With FCN connector.

(3) On AM1 ED rail: 35 mm wide, 15 mm deep. Only possible with BMXXBP0400/0400H/0600/0600H/0800/0800H rack.

Rack references	a in mm	a in in.
BMXXBP0400 and BMXXBP0400H	242.4	09.54
BMXXBP0600 and BMXXBP0600H	307.6	12.11
BMXXBP0800 and BMXXBP0800H	372.8	14.68
BMXXBP1200 and BMXXBP1200H	503.2	19.81

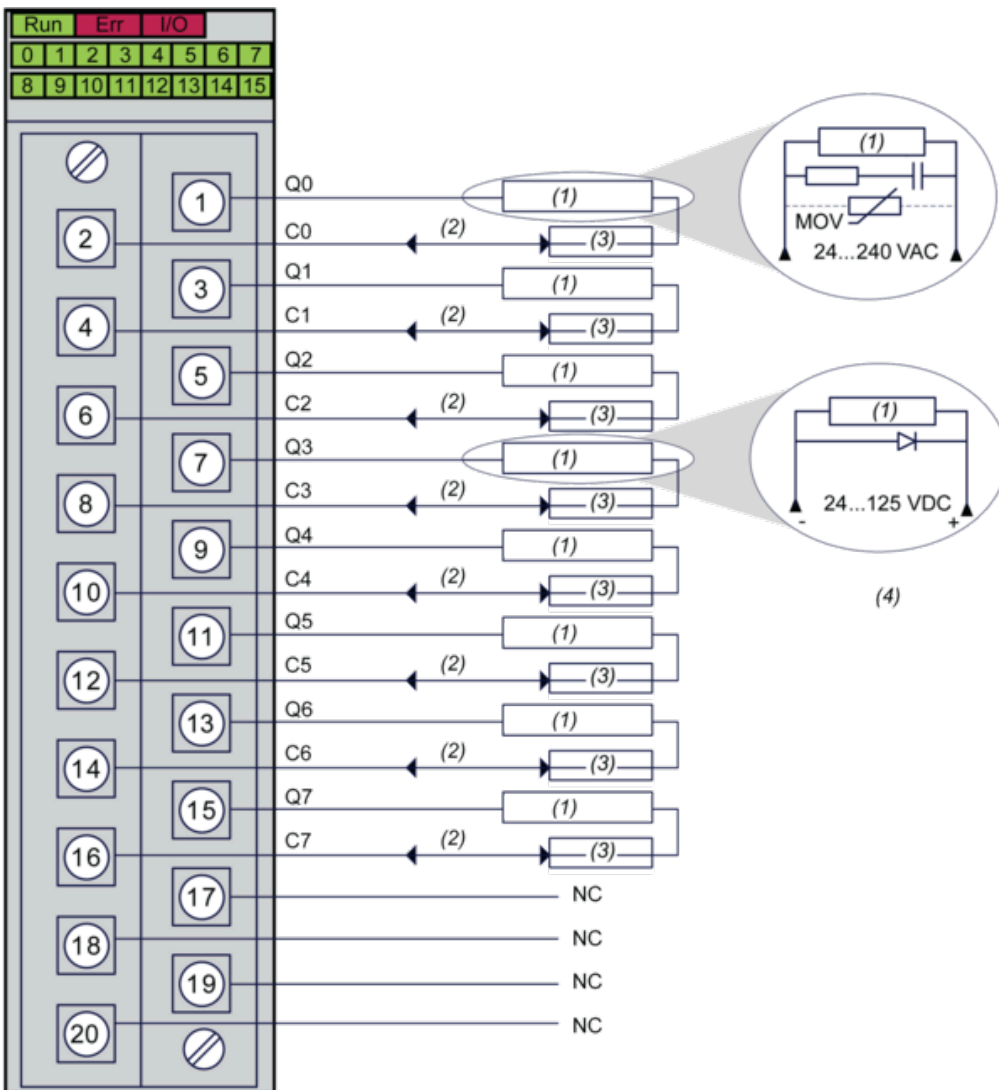
Connecting the Module

Output Circuit Diagram



- (1) Module
- (2) Output
- (3) Command
- (4) Pre-actuator
- (5) Power supply

Module Connection



- (1) Pre-actuator
 - (2) Power supply : 24...125 Vdc or 24...240 Vac
 - (3) Fuse : Use appropriate fast-blow fuse for each relay
 - (4) We recommend installing this type of protection on the terminals of each pre-actuator
- N/C : Not connected

Recommended replacement(s)