

# Product data sheet

Specifications



## discrete output X80 - 16 channel isolated triac - 24..240 V AC

BMXDAO1615

### Main

Range of product	Modicon X80
Product or component type	Discrete output module
Discrete output number	16 conforming to EN/IEC 61131-2
Discrete output type	Triac
Discrete output voltage	24...240 V 20...264 V AC
Discrete output current	3 A

### Complementary

Network frequency	50/60 Hz
Network frequency limits	47...63 Hz
Sensor power supply	20...264 V
Current per channel	3 A at 40 °C 1.2 A at 60 °C
Maximum current per module	10 A 40 °C 4 A 60 °C
Maximum leakage current	1 mA at state 0 24 V 1 mA at state 0 48 V 2 mA at state 0 115 V 2.5 mA at state 0 240 V
Maximum voltage drop	<1.55 V at state 1
Insulation resistance	> 10 MOhm 500 V DC
Power dissipation in W	1.45 W
Response time on output	<= 10 ms resistive activation <= 10 ms resistive deactivation
Typical current consumption	61 mA at 3.3 V DC 50 mA at 24 V DC
MTBF reliability	788991 H
Protection type	1 external fuse 4 A fast blow
Output overload protection	With varistor
Inrush current	30 A
Maximum current per output common	4 A
Output current limits	0.005...10 A
Status LED	1 LED (green) module operating (RUN)

1 LED per channel (green) channel diagnostic  
1 LED (red) module error (ERR)  
1 LED (red) module I/O

**Net weight** 0.264 kg

## Environment

**IP degree of protection** IP20

**Dielectric strength** 3000 V AC at 50/60 Hz 1 min

**Vibration resistance** 3 gn

**Shock resistance** 30 gn

**Ambient air temperature for storage** -40...85 °C

**Ambient air temperature for operation** 0...60 °C

**Relative humidity** 0...95 % at 0...60 °C without condensation

**Operating altitude** 0...2000 m  
2000...5000 m with derating factor

## Packing Units

**Unit Type of Package 1** PCE

**Number of Units in Package 1** 1

**Package 1 Height** 5.5 cm

**Package 1 Width** 18.0 cm

**Package 1 Length** 26.0 cm

**Package 1 Weight** 406.0 g

**Unit Type of Package 2** S03

**Number of Units in Package 2** 8

**Package 2 Height** 30.0 cm

**Package 2 Width** 30.0 cm

**Package 2 Length** 40.0 cm

**Package 2 Weight** 3.7 kg

## Offer Sustainability

**Sustainable offer status** Green Premium product

**REACH Regulation** [REACH Declaration](#)

**EU RoHS Directive** Pro-active compliance (Product out of EU RoHS legal scope)  
[EU RoHS Declaration](#)

**Mercury free** Yes

**RoHS exemption information** [Yes](#)

**China RoHS Regulation** [China RoHS declaration](#)

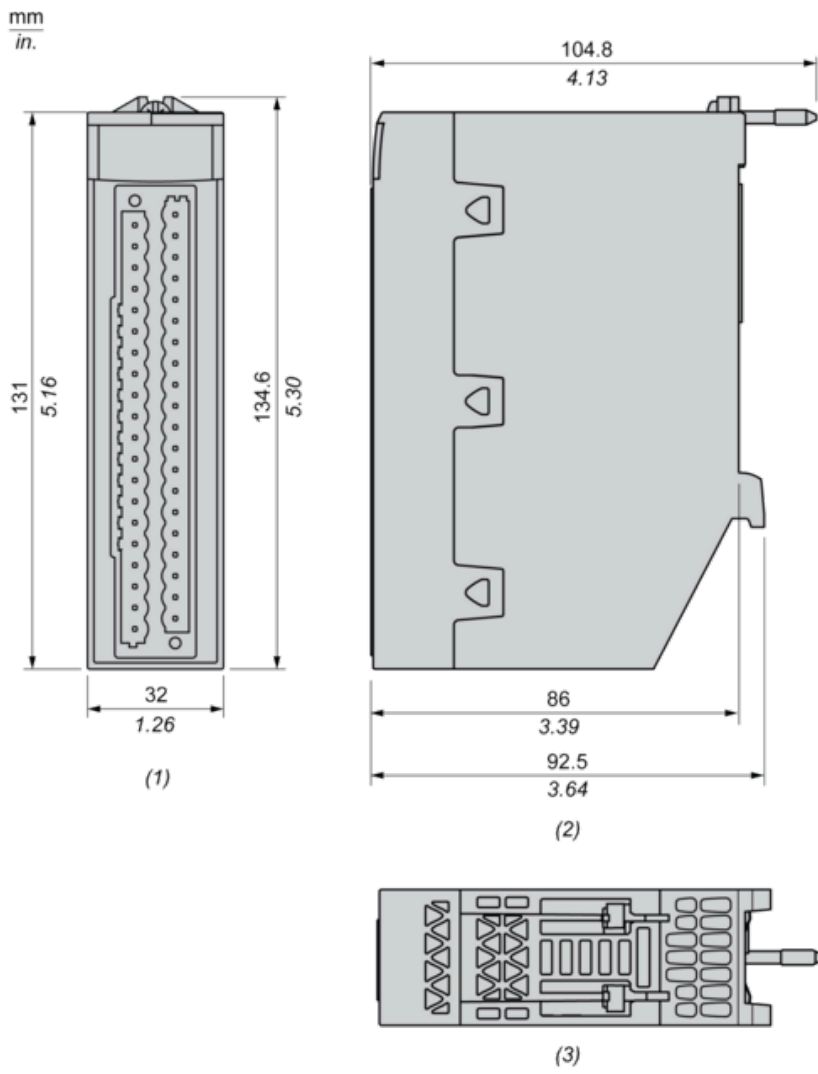
**Environmental Disclosure** [Product Environmental Profile](#)

**Circularity Profile** [End of Life Information](#)

**WEEE** The product must be disposed on European Union markets following specific waste collection and never end up in rubbish bins

**California proposition 65** WARNING: This product can expose you to chemicals including: Lead and lead compounds, which is known to the State of California to cause cancer and birth defects or other reproductive harm. For more information go to [www.P65Warnings.ca.gov](http://www.P65Warnings.ca.gov)

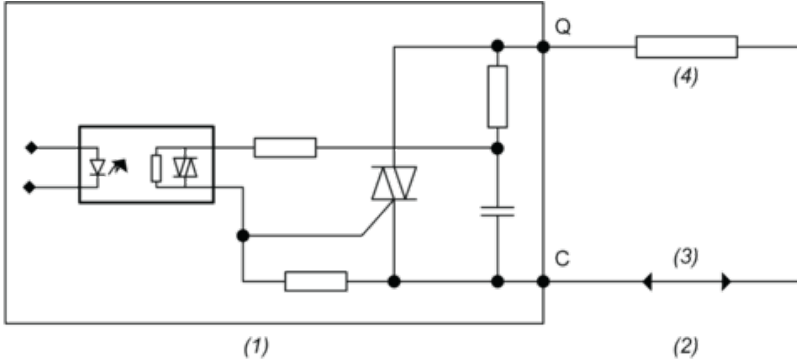
Dimensions



- (1) Front view
- (2) Right view
- (3) Top view

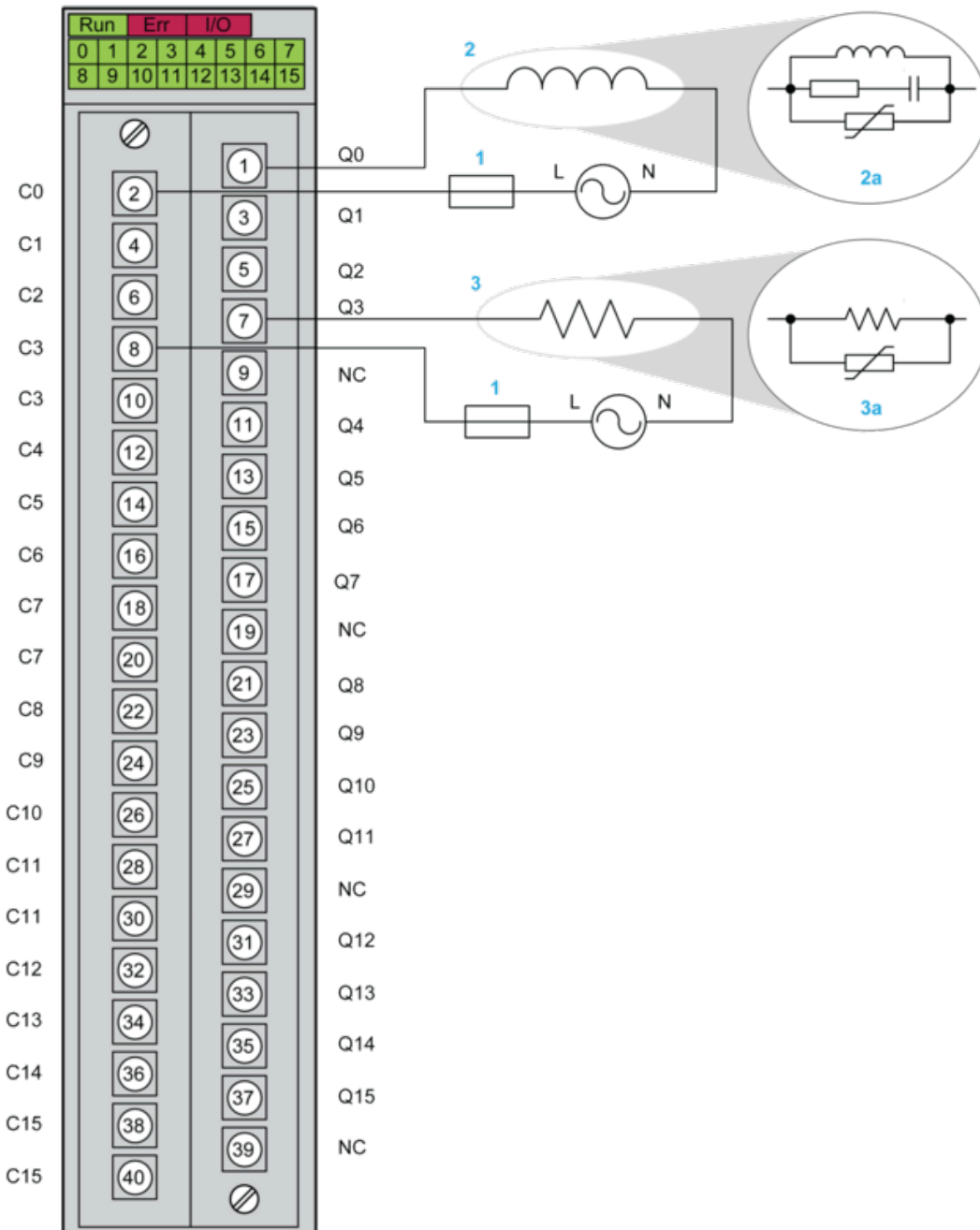
**Connecting the Module**

**Output Circuit Diagram**



- (1) Module
- (2) Output
- (3) Power supply
- (4) Pre-actuator

**Module Connection**



- NC:** Not connected
- 1 :** 4 A fast blow fuse
- 2 :** Inductive load
- 3 :** Resistive load
- 2a and 3a :** Recommended output protection

**Recommended replacement(s)**