

# Product data sheet

Specifications



## discrete input module, Modicon X80, 8 inputs, 200 to 240V AC

BMXDAl0805

! Discontinued on: 15 September 2023

**Product availability : Stock - Normally stocked in distribution facility**

! To be discontinued

### Main

Range of Product	Modicon X80
Product or Component Type	Discrete input module
Discrete input number	8
Discrete input type	Isolated
Input type	Capacitive
Discrete input voltage	200...240 V AC
Discrete input current	10.4 mA

### Complementary

Input compatibility	With 2-wire/3-wire proximity sensors IEC 60947-5-2 With 2-wire/3-wire proximity sensors IEC 61131-2 Type 2
Network Frequency	50/60 Hz
Network frequency limits	47...63 Hz
Sensor power supply	170...264 V
Current state 1 guaranteed	$\geq 6$ mA
Current state 0 guaranteed	$\leq 4$ mA
Input impedance	21000 Ohm
Insulation resistance	$> 10$ MOhm 500 V DC
Power dissipation in W	4.73 W
AC activation response time	10 ms
AC deactivation response time	20 ms
Typical current consumption	76 mA 3.3 V DC 93.6 mA 24 V DC
Current consumption	$\leq 126$ mA 3.3 V DC $\leq 154.8$ mA 24 V DC
MTBF reliability	1700000 H
Protection type	1 external fuse per group of channel 0.5 A fast blow
Voltage detection threshold	$> 164$ V AC sensor OK $< 80$ V AC sensor fault
Status LED	1 LED (Green) module operating (RUN) 1 LED per channel (Green) channel diagnostic 1 LED (Red) module error (ERR)

1 LED (Red) module I/O

**Net Weight** 0.26 lb(US) (0.12 kg)

## Environment

<b>IP Degree of Protection</b>	IP20
<b>Directives</b>	2014/35/EU - low voltage directive 2014/30/EU - electromagnetic compatibility
<b>Dielectric strength</b>	1500 V AC 50/60 Hz 1 min
<b>Vibration resistance</b>	3 gn
<b>Shock resistance</b>	30 gn
<b>Ambient Air Temperature for Storage</b>	-40...185 °F (-40...85 °C)
<b>Ambient air temperature for operation</b>	32...140 °F (0...60 °C)
<b>Relative humidity</b>	5...95 % 131 °F (55 °C) without condensation
<b>Operating altitude</b>	0...6561.68 ft (0...2000 m) 2000...5000 m with derating factor

## Ordering and shipping details

<b>Category</b>	18160-MODICON M340
<b>Discount Schedule</b>	PC34
<b>GTIN</b>	3595864081595
<b>Returnability</b>	No
<b>Country of origin</b>	FR

## Packing Units

<b>Unit Type of Package 1</b>	PCE
<b>Number of Units in Package 1</b>	1
<b>Package 1 Height</b>	2.17 in (5.5 cm)
<b>Package 1 Width</b>	4.65 in (11.8 cm)
<b>Package 1 Length</b>	4.65 in (11.8 cm)
<b>Package 1 Weight</b>	5.64 oz (160.0 g)
<b>Unit Type of Package 2</b>	S02
<b>Number of Units in Package 2</b>	15
<b>Package 2 Height</b>	5.91 in (15.0 cm)
<b>Package 2 Width</b>	11.81 in (30.0 cm)
<b>Package 2 Length</b>	15.75 in (40.0 cm)
<b>Package 2 Weight</b>	5.95 lb(US) (2.7 kg)

## Offer Sustainability

<b>Sustainable offer status</b>	Green Premium product
<b>California proposition 65</b>	WARNING: This product can expose you to chemicals including: Lead and lead compounds, which is known to the State of California to cause cancer and birth defects or other reproductive harm. For more information go to <a href="http://www.P65Warnings.ca.gov">www.P65Warnings.ca.gov</a>
<b>REACH Regulation</b>	<a href="#">REACH Declaration</a>
<b>EU RoHS Directive</b>	Pro-active compliance (Product out of EU RoHS legal scope) <a href="#">EU RoHS Declaration</a>
<b>Mercury free</b>	Yes

---

<b>China RoHS Regulation</b>	<a href="#">China RoHS declaration</a>
<b>RoHS exemption information</b>	<a href="#">Yes</a>
<b>Circularity Profile</b>	<a href="#">End of Life Information</a>
<b>WEEE</b>	The product must be disposed on European Union markets following specific waste collection and never end up in rubbish bins.

---

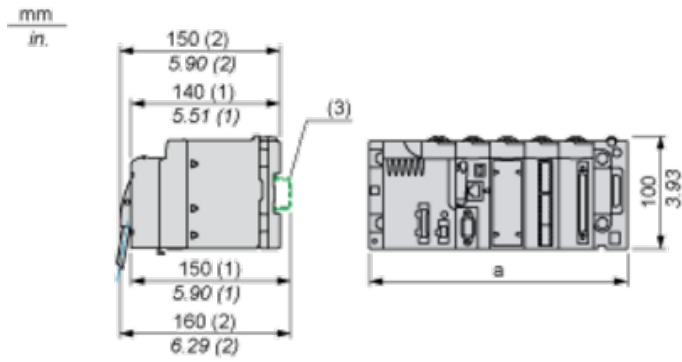
## **Contractual warranty**

---

<b>Warranty</b>	18 months
-----------------	-----------

**Modules Mounted on Racks**

**Dimensions**



(1) With removable terminal block (cage, screw or spring).

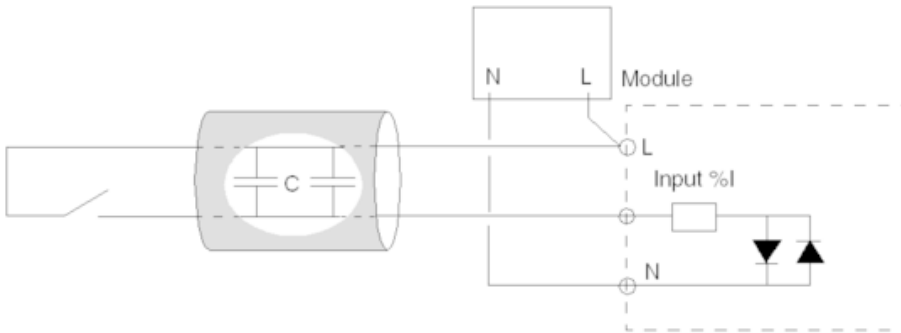
(2) With FCN connector.

(3) On AM1 ED rail: 35 mm wide, 15 mm deep. Only possible with BMXXBP0400/0400H/0600/0600H/0800/0800H rack.

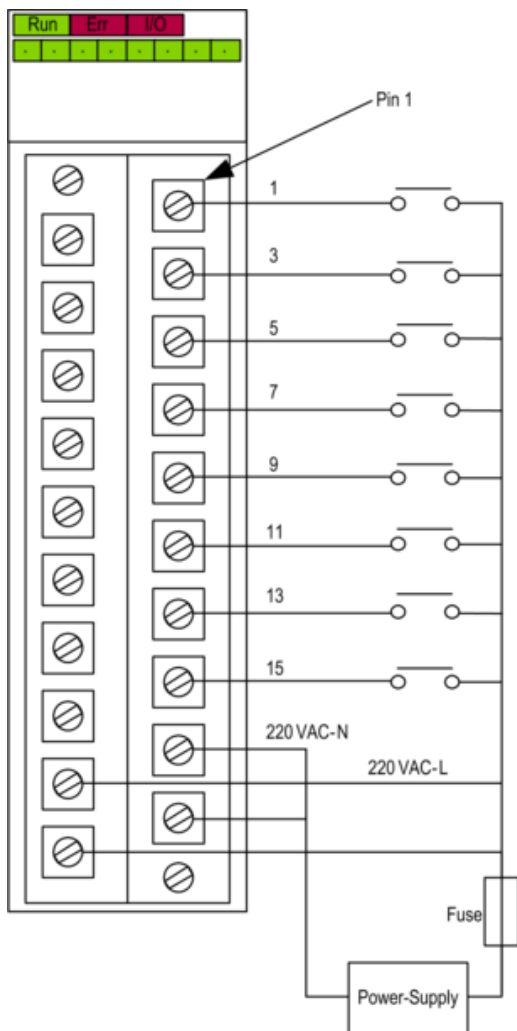
Rack references	a in mm	a in in.
BMXXBP0400 and BMXXBP0400H	242.4	09.54
BMXXBP0600 and BMXXBP0600H	307.6	12.11
BMXXBP0800 and BMXXBP0800H	372.8	14.68
BMXXBP1200 and BMXXBP1200H	503.2	19.81

**Connecting the Module**

**Input Circuit Diagram**



**Module Connection**



power supply 200...240 VAC  
fuse fast blow fuse of 0.5 A

**Recommended replacement(s)**