

Product availability: Stock - Normally stocked in distribution facility



Main

Range of product	Modicon X80
Product or component type	Analog output module
Electrical connection	1 connector 20 ways
Isolation between channels	Non isolated

Complementary

Measurement error	$\leq 0.25\%$ of full scale 0...60 °C 0.1 % of full scale 25 °C
Temperature drift	45 ppm/°C 0...20 mA 45 ppm/°C 4...20 mA
Common mode between channels	≥ 80 dB
Isolation voltage	1400 V DC between channels and ground 1400 V DC between channels and bus
Detection type	Open circuit 4...20 mA Short circuit 0...20 mA
Load impedance ohmic	≤ 350 Ohm 0...20 mA ≤ 350 Ohm 4...20 mA
Output level	High level
Analogue output number	8
Analogue output type	Current 0...20 mA Current 4...20 mA
Analogue output resolution	16 bits
Supply	Internal power supply via rack
Conversion time	≤ 4 ms
Maximum conversion value	0...21 mA 0...20 mA 0...21 mA 4...20 mA
Fallback mode	Configurable Predefined
Status LED	1 LED green RUN 1 LED per channel green channel diagnostic 1 LED red ERR 1 LED red I/O
Product weight	0.33 lb(US) (0.15 kg)
Power consumption in W	0.48 W 3.3 V DC maximum 0.35 W 3.3 V DC typical 3.4 W 24 V DC typical 3.7 W 24 V DC maximum

Environment

Vibration resistance	3 gn
Shock resistance	30 gn
Ambient air temperature for storage	-40...185 °F (-40...85 °C)
Ambient air temperature for operation	32...140 °F (0...60 °C)
Relative humidity	5...95 % 131 °F (55 °C) without condensation

IP degree of protection	IP20
Directives	2012/19/EU - WEEE directive 2014/30/EU - electromagnetic compatibility 2014/35/EU - low voltage directive
Product certifications	UL CE CSA RCM EAC Merchant Navy
Standards	EN 61000-6-2 EN 61131-2 EN 61000-6-4 EN 61010-2-201
Protective treatment	TC
Operating altitude	0...6561.68 ft (0...2000 m) 2000...5000 m (with derating factor)

Ordering and shipping details

Category	18160 - MODICON M340
Discount Schedule	PC34
GTIN	00785901628712
Nbr. of units in pkg.	1
Package weight(Lbs)	0.39000000000000001
Returnability	Y
Country of origin	FR

Offer Sustainability

Sustainable offer status	Green Premium product
RoHS (date code: YYWW)	Compliant - since 0901 - Schneider Electric declaration of conformity Schneider Electric declaration of conformity
REACH	Reference not containing SVHC above the threshold
Product environmental profile	Available Product Environmental Profile
Product end of life instructions	Available
California proposition 65	WARNING: This product can expose you to chemicals including:
----- Substance 1	Lead and lead compounds, which is known to the State of California to cause cancer and birth defects or other reproductive harm.
----- More information	For more information go to www.p65warnings.ca.gov

Contractual warranty

Warranty period	18 months
-----------------	-----------

Modules Mounted on Racks

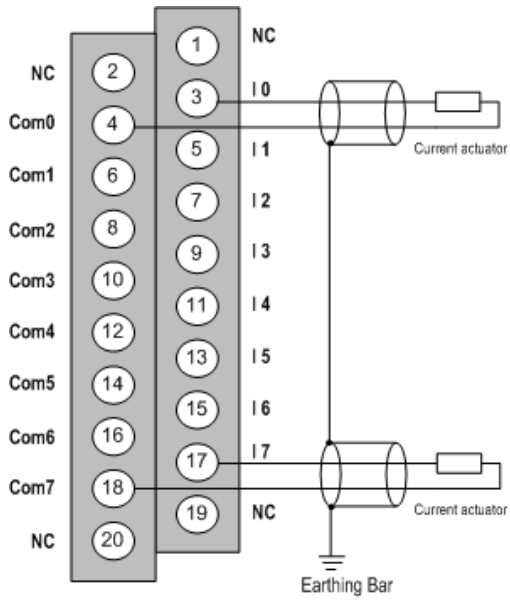
Dimensions



- (1) With removable terminal block (cage, screw or spring).
- (2) With FCN connector.
- (3) On AM1 ED rail: 35 mm wide, 15 mm deep. Only possible with BMXXBP0400/0400H/0600/0600H/0800/0800H rack.

Rack references	a in mm	a in in.
BMXXBP0400 and BMXXBP0400H	242.4	09.54
BMXXBP0600 and BMXXBP0600H	307.6	12.11
BMXXBP0800 and BMXXBP0800H	372.8	14.68
BMXXBP1200 and BMXXBP1200H	503.2	19.81

Wiring Diagram



Ix + pole input for channel x.

COMx pole input for channel x, COMx are connected together internally.

The current loop is self-powered by the output and does not request any external supply.