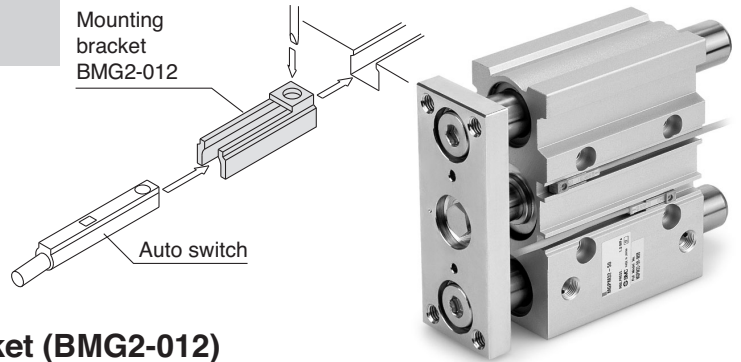



Direct mounting style Rectangular groove



Applicable Auto Switch + Mounting Bracket (BMG2-012)

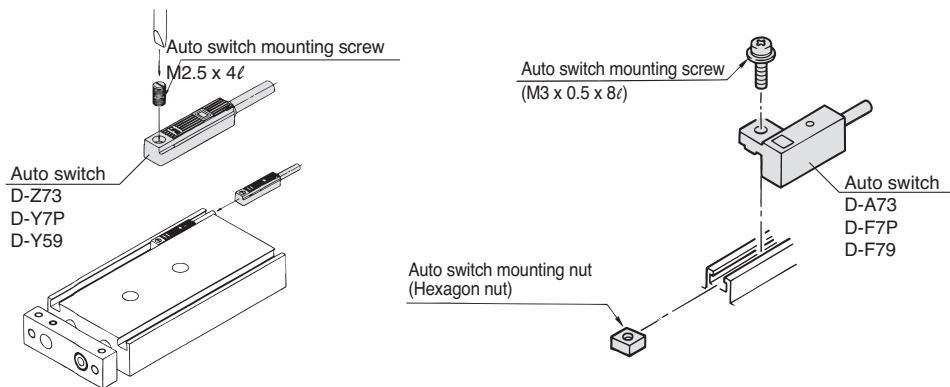
Applicable Series	Reed switch type		Solid state switch type		Description	
	24 VDC 2-wire	24 VDC 3-wire (PNP)	24 VDC 3-wire (NPN)	24 VDC (2-colour indication) 3-wire (PNP)		
CP95 ** MB1 ** CQ2 (ø125-200) CY3R (ø25-63) MGF * MGP MGT MGZ(R) (ø40-80) ** MHC2 (ø10-25) * MHL2 * MHS (ø32-125) *	MHW2 * MHZ2 (ø10) * MHZL2 (ø10) * MLGP MY1□ (ø25-100) *** REAR (ø25-40) REBR (ø25, 32) RSA * RSQ (ø12, 32-63) RSH/RS1H *	D-A93L + BMG2-012	D-M9PL + BMG2-012	D-M9NL + BMG2-012	D-M9PWL + BMG2-012	• Lead wire length = 3 m, refer to page 11 for other lengths.
		—	D-M9PSAPC + BMG2-012	D-M9NSAPC + BMG2-012	D-M9PWSAPC + BMG2-012	Auto switch with pre-wired connector (M8-3pin).  • Lead wire length = 0.5 m, refer to page 15 for other lengths.

• Since there are other applicable auto switches than those listed, refer to pages 11 to 15 or SMC's Best Pneumatics catalogue for details.

(*) Only solid state switches can be used.

(**) Bracket BMP1-032 is also required.

(***) Solid state switches must be used for all MY1 types and bore sizes. MY1B (ø40), MY1M (ø25, ø40), MY1C (ø40) and MY1HT (ø50, ø63) use different switches, see separate table below.



Applicable Auto Switch (MY1B, bore sizes ø25 to ø100 and MY1HT bore sizes ø50, ø63) (CXs bore sizes ø6 to ø32 and CXSW bore sizes ø6 to ø32)

Applicable Series	Reed switch type		Solid state switch type		Description	
	24 VDC 2-wire	24 VDC 3-wire (PNP)	24 VDC 3-wire (NPN)	24 VDC (2-colour indication) 3-wire (PNP)		
MY1B (ø40) MY1M (ø25, ø40) MY1C (ø40) MY1HT	CXS CXSW	D-Z73L	D-Y7PL	D-Y59AL	D-Y7PWL	With lead wire length = 3 m Consult SMC for other lengths.
		—	D-Y7PSAPC	D-Y59ASAPC	D-Y7PWSAPC	With pre-wired connector (M8-3pin). Lead wire length =
CXW		D-A73HL	D-F7PL	D-F79L	D-F7PWL	With lead wire length = 3 m Consult SMC for other lengths.
		—	D-F7PSAPC	D-F79SAPC	D-F7PWSAPC	With pre-wired connector (M8-3pin). Lead wire length =