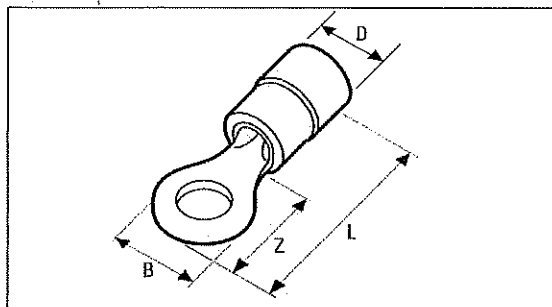


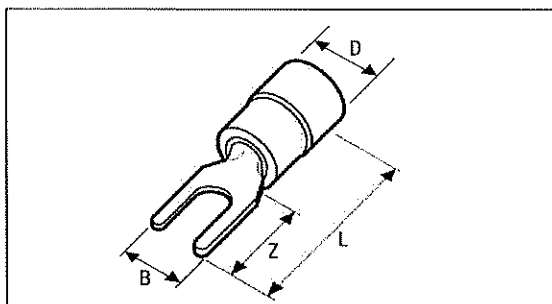
## 'Easy Entry' Pre-Insulated Connectors 0.5mm<sup>2</sup> – 6mm<sup>2</sup>



### RING TONGUES

- Material - High conductivity copper - tin plated Vinyl insulation.

RING TERMINALS									
CONDUCTOR SIZE (mm <sup>2</sup> )	STUD SIZE (mm)	CATALOGUE NUMBER	COLOUR CODE	DIMENSIONS (mm)				INSTALLATION TOOLING	
				B	L	Z	D	NON RATCHET	RATCHET
0.5 TO 1.5	3	BER3	RED	5.5	17.5	7.5	4.3	BM6P	BMR1P1 BMR2P2 BMR6P3 BMR6GP3
	3.5	BER35		6.6	19.6	9.6	4.3		
	4	BER4		8.0	21.0	11.0	4.3		
	5	BER5		11.6	25.5	15.5	4.3		
	6	BER6		11.6	25.5	15.5	4.3		
	8	BER8		13.6	27.3	17.3	4.3		
1.0 TO 2.5	3	BEB3	BLUE	6.4	17.5	7.5	4.9	BM6P	BMR2P1 BMR2P2 BMR6P3 BMR6GP3
	3.5	BEB35		6.4	17.5	7.5	4.9		
	4	BEB4		8.5	22.0	12.0	4.9		
	5	BEB5		9.5	22.0	12.0	4.9		
	6	BEB6		12.0	27.0	17.0	4.9		
	8	BEB8		12.0	27.0	17.0	4.9		
4.0 TO 6.0	3	BEY3	YELLOW	9.0	25.7	11.7	6.7	BM6P	BMR6P1 BMR6P3 BMR6GP3
	4	BEY4		9.5	27.0	13.0	6.7		
	5	BEY5		9.5	27.0	13.0	6.7		
	6	BEY6		12.0	30.5	16.5	6.7		
	8	BEY8		15.0	35.0	21.0	6.7		
	10	BEY10		15.0	35.0	21.0	6.7		
12	BEY12	19.2	39.6	25.6	6.7				



### FORK TONGUES

- Material - High conductivity copper - tin plated Vinyl insulation.

FORK TERMINALS									
CONDUCTOR SIZE (mm <sup>2</sup> )	STUD SIZE (mm)	CATALOGUE NUMBER	COLOUR CODE	DIMENSIONS (mm)				INSTALLATION TOOLING	
				B	L	Z	D	NON RATCHET	RATCHET
0.5 TO 1.5	3	BER3F	RED	5.7	21.2	11.2	4.3	BM6P	BMR1P1 BMR2P2 BMR6P3 BMR6GP3
	3.5	BER35F		6.4	21.2	11.2	4.3		
	4	BER4F		8.1	21.2	11.2	4.3		
	4	BER4FN		7.2	21.2	11.2	4.3		
	5	BER4FS		6.4	21.2	11.2	4.3		
	6	BER6F		9.5	21.2	11.2	4.3		
1.0 TO 2.5	3	BEB3F	BLUE	5.7	21.2	11.2	5.1	BM6P	BMR2P1 BMR2P2 BMR6P3 BMR6GP3
	3.5	BEB35F		6.4	21.2	11.2	5.1		
	4	BEB4F		8.1	21.2	11.2	5.1		
	4	BEB4FN		7.2	21.2	11.2	5.1		
	4	BEB4FS		6.4	21.2	11.2	5.1		
	5	BEB5F		8.1	21.2	11.2	5.1		
4.0 TO 6.0	4	BEY4F	YELLOW	9.0	25.7	11.7	6.6	BM6P	BMR6P1 BMR6P3 BMR6GP3
	5	BEY5F		9.0	25.7	11.7	6.6		
	6	BEY6F		12.0	31.5	17.5	6.6		