

## FLAME SWITCH BC1000 SERIES

### PRODUCT HANDBOOK



## 1. APPLICATION

The BC1000A/B series is a flame switch for intermittent operation to indicate presence or absence of a flame and to be applied in commercial or industrial burner installations. The BC1000A can also be used as a primary control for manually operated burner systems using a start/stop station.

In addition to the flame sensing functions, the BC1000A/B provides a “Safe Start” function which checks if a flame signal is present when applying power to the device. If so, the BC1000A/B holds its operation until the flame signal disappears.

The BC1000A/B can be used with a recifying flame rod or all existing non-selfcheck Honeywell “PowerTube” type UV sensors (for intermittent operation only).

The BC1000 (FR models) will operate also with the ex-Satronix IRD810/1010 range of infrared sensors. Note that this combination is NOT CE approved for use on installations that fall under the GAD (Gas Appliances Directive).

## 2. FEATURES

- 1) Compact design.
- 2) Plug-in wiring sub base for direct panel or DIN RAIL mounting.
- 3) Safe-start check (SSC) feature prevents operation when abnormal flame condition exists at start-up.
- 4) LED indication (Power, Flame, SSC) on the front to show operation status (SSC hidden behind the front cover).
- 5) Screw terminals on the front provide continuous 0~6VDC flame signal strength monitoring.

## Contents

1. Application .....	1
2. Features .....	1
3. Specifications .....	2
4. Appearance and Dimensions .....	3
5. Installation and Wiring .....	4
6. Operation and Sequence .....	8
7. Approvals .....	9
8. Sales affiliates in Europe .....	10

## 3. SPECIFICATIONS

Table 1: Model Selection Guide

Model	Rated voltage	Power consumption	Flame Response time	Flame sensor	Safety-start check output	Flame output
BC1000A0110F	115V 50/60Hz	5W	2 ± 1 sec.	Flame rod or C7012A/G	SPST (T3-4)	SPST (T2-3)
BC1000A0110U	115V 50/60Hz	8W	2 ± 1 sec.	C7027/35/44	SPST (T3-4)	SPST (T2-3)
BC1000A0220F	230V 50/60Hz	5W	2 ± 1 sec.	Flame rod or C7012A/G	SPST (T3-4)	SPST (T2-3)
BC1000A0220U	230V 50/60Hz	8W	2 ± 1 sec.	C7027/35/44	SPST (T3-4)	SPST (T2-3)
BC1000B1000	115V 50/60Hz	5W	Max. 1 sec.	Flame rod or C7012A/G	None	SPDT (T2...4)
BC1000B1018	230V 50/60Hz	5W	Max. 1 sec.	Flame rod or C7012A/G	None	SPDT (T2...4)
BC1000B2001	115V 50/60Hz	8W	Max. 1 sec.	C7027/35/44	None	SPDT (T2...4)
BC1000B2019	230V 50/60Hz	8W	Max. 1 sec.	C7027/35/44	None	SPDT (T2...4)

Table 2: Electrical and Environmental Ratings

Item	Specification
Rated voltage	110..115Vac or 220..230Vac, 50/60Hz -15 ~ +10%
Allowable ambient temperature	Stand-alone mounting: -20 ~ +60°C Parallel mounting (2 or more sets) : -20 ~ +45°C
Protection Class	IP00 (mount inside cabinet)
Allowable ambient humidity	Max. 90% RH non condensing
Vibration resistance	0.5G (10 to 150Hz for 1h each in x,y and z directions)
Insulation resistance	More than 50MΩ at DC500V between terminals and ground
Life expectancy	Designed for 10 years of operation or 250.000 cycles under nominal conditions
Terminal ratings	Relay output max 1A @ cosφ=1,0 per terminal
Flame strength	Flame On : > 1V Flame Off : < 0.2V
Size (WxHxD)	42.5 x 90.0 x 95.5 mm (including sub-base)
Weight	Approx. 334g (including sub-base)

\* Keep min. 50mm distance from the top and min. 20mm left/right/bottom around the device.

4. APPEARANCE AND DIMENSIONS

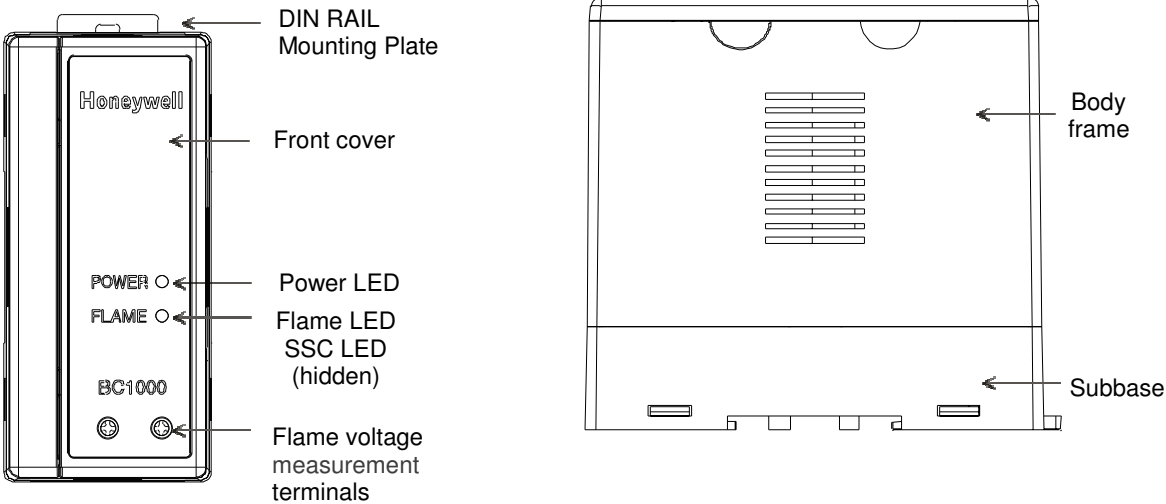


Fig. 1: Appearance

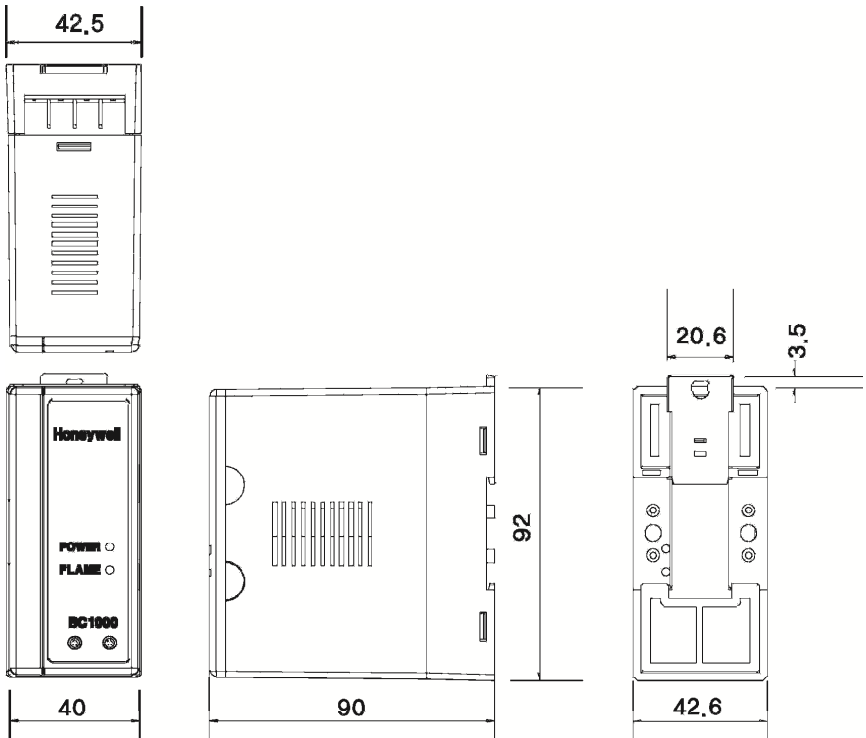


Fig. 2: External Dimensions (in mm)

## 5. INSTALLATION AND WIRING

### CAUTION

#### INSTALLATION

##### When Installing this Product...

- 1) Read these instructions carefully. Failure to follow them could damage the product or cause a hazardous condition.
- 2) Check the ratings given in the instructions and marked on the product to make sure the product is suitable for the application.
- 3) Installer must be a trained, experienced, flame safeguard service technician.
- 4) After installation is completed, check out the product operation as provided in these instructions.



### WARNING

#### Fire or Explosion Hazard.

**Can cause property damage, severe injury, or death.**

Carefully follow safety requirements when installing a burner control.



### CAUTION

#### Electrical Shock Hazard or Equipment Damage.

Disconnect power supply before beginning installation to avoid an electrical shock or equipment damage.



### IMPORTANT

- 1) Do not install the Flame Switch under any circumstances in the following locations:
  - a. Where chemicals or corrosive gases are present, such as ammonia, sulfur, chlorine, ethylene compounds, acids, etc.
  - b. Where the relative humidity reaches the saturation point. The relay module is designed to operate in a maximum 85% relative humidity continuous, noncondensing, moisture environment. Condensing moisture can cause a safety shutdown or damage the device.
  - c. Where vibration exceeds 0,5G continuous vibration or temperatures exceed the maximum specification for this device.
- 2) Disconnect the power supply from the main disconnect before beginning installation to prevent electrical shock and equipment damage. Supply power to BC1000 after finishing all wiring and completing proper checks.
- 3) Do not overload the BC1000 terminal rating.
- 4) Do not bundle the lead wires for mains, ignition transformer's HIGH-VOLTAGE and flame detector. The min. distance between the BC1000 and the HV ignition cable is 10cm.
- 5) Use proper grounding work in accordance with the engineering standards for electrical equipment.
- 6) After deenergizing the BC1000, residual charge may be present on terminal 5 (F lead of the flame detector).
- 7) BC1000 verifies that a flame or flame simulating condition exists at start-up. BC1000 can be used in intermittent operation only, i.e a controlled stop/start must occur at least once every 24 hours of operation.

## SEPARATION AND INSTALLATION OF RELAY MODULE AND THE SUB BASE

- 1) Remove the front cover as shown in Fig. 1 and unscrew the Phillips head fixing screw by about 8 turns CCW.
- 2) Gently pull the relay module from its socket. Don't use excessive force to avoid damage to the device.
- 3) Position the sub base and mount by fastening screws.



### IMPORTANT

Do not over-tighten the central fixation screw to avoid damage to the (Phillips) head of the screw. So called "hand-tight" is good enough to fixate the BC1000 properly onto its sub base.

\* If using the DIN RAIL mounting option, refer to Fig. 4.

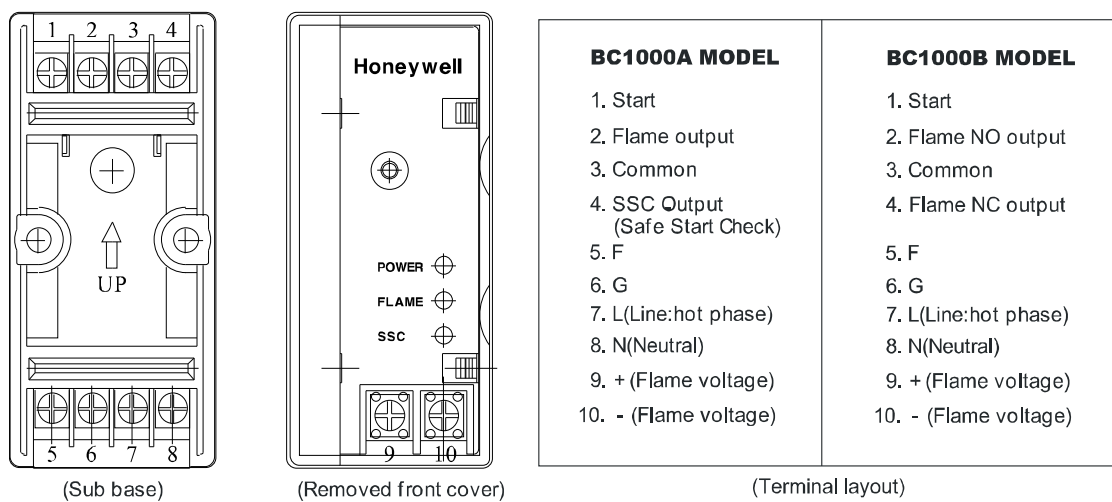


Fig. 3: Sub base terminals and front terminals



### CAUTION

Although the voltage on front terminals are of low voltage, it is not considered to be safe when touching these wires, in case of a malfunction of the device. Therefore avoid touching these terminals and its connected lead wires to avoid an electrical shock.

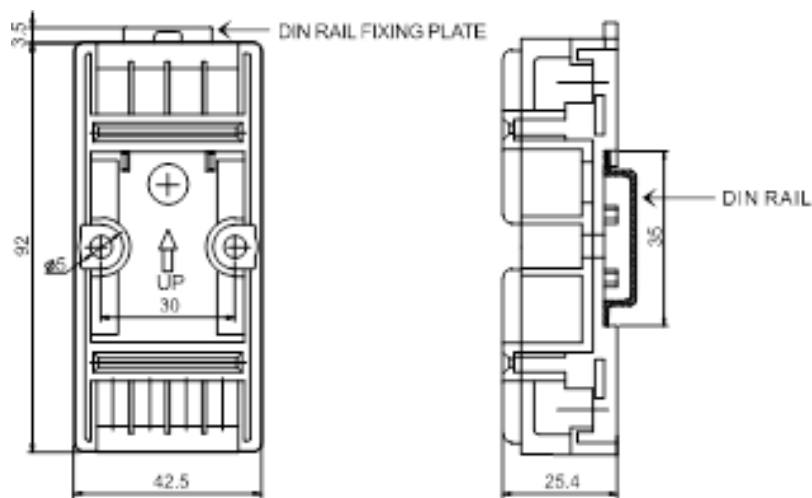
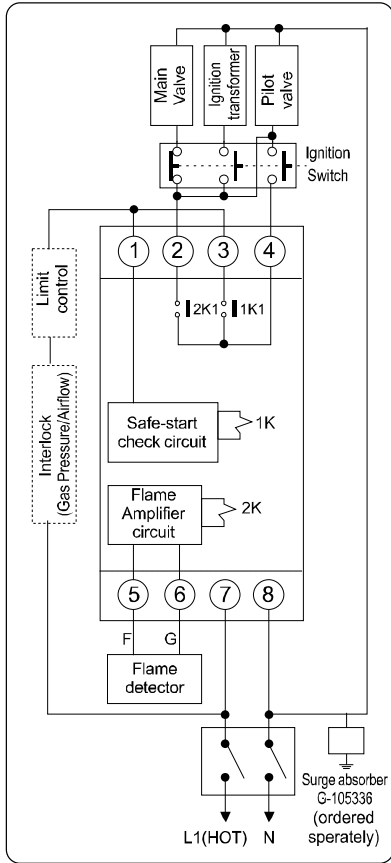


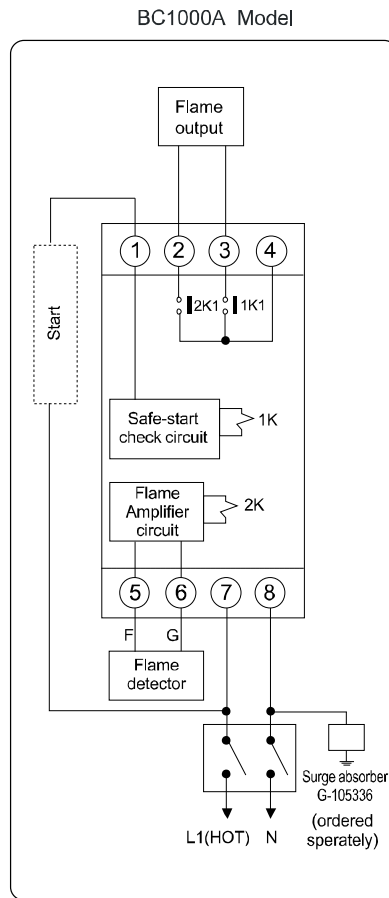
Fig. 4: Dimensions (DIN RAIL mount)

## SUB BASE WIRING

① Manual Ignition (Intermittent pilot)  
BC1000A Model (Except BC1000B)



② Flame Monitoring



BC1000B Model

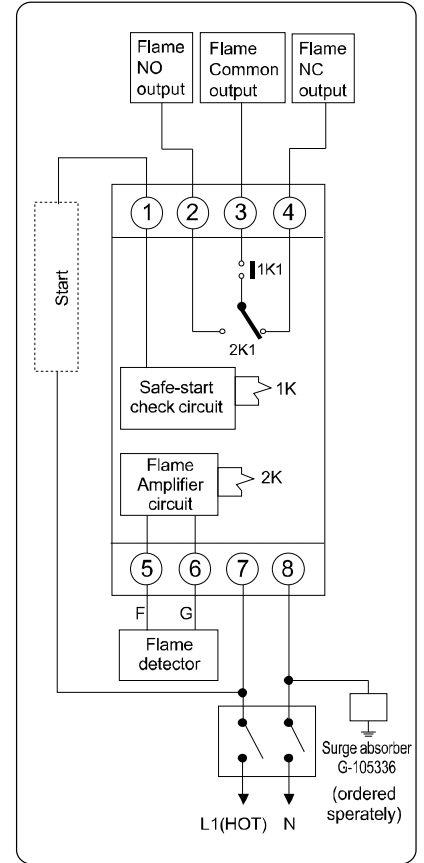


Fig. 5: Example of wiring to external devices

- 1) Fig. 5 is an example of typical wiring diagrams. Refer Fig. 2 for terminal location
- 2) Internal relay operation

BC1000A MODEL	BC1000B MODEL
<ol style="list-style-type: none"> <li>1. Safe-start check circuit verifies that a flame or flame simulating condition exists when powering up the terminal 1 of the device. <ul style="list-style-type: none"> <li>- No flame: Safety relay closed (1K1 close)</li> <li>- Flame: Safety relay remains opened (1K1 open) until the flame disappears (hold condition)</li> </ul> </li> <li>2. Flame amplifier circuit controls the flame relay. <ul style="list-style-type: none"> <li>- No flame: Flame relay opened (2K1 open)</li> <li>- Flame: Flame relay closed (2K1 close)</li> </ul> </li> </ol>	<ol style="list-style-type: none"> <li>1. Safe-start check circuit verifies that a flame or flame simulating condition exists when powering up the terminal 1 of the device. <ul style="list-style-type: none"> <li>- No flame: Safety relay closed (1K1 close)</li> <li>- Flame: Safety relay remains opened (1K1 open) until the flame disappears (hold condition)</li> </ul> </li> <li>2. Flame amplifier circuit controls the flame relay. <ul style="list-style-type: none"> <li>- No flame: Flame relay NC output is closed (2K1 NC)</li> <li>- Flame: Flame relay NO output is closed (2K1 NO)</li> </ul> </li> </ol>

## HOW TO INSTALL THE FLAME DETECTOR

To check the correct installation location of the flame detector, the flame signal strength can be measured using a multimeter. Connect the multimeter to the (+) and (-) terminals located at the front.

The minimum recommended voltage is 2VDC, while the maximum value is limited to 6VDC. Adjust the optimal position of the flame detector. For instructions to install Honeywell UV flame detector, refer to the instruction sheet of C7027/C7035/C7044 flame detectors.

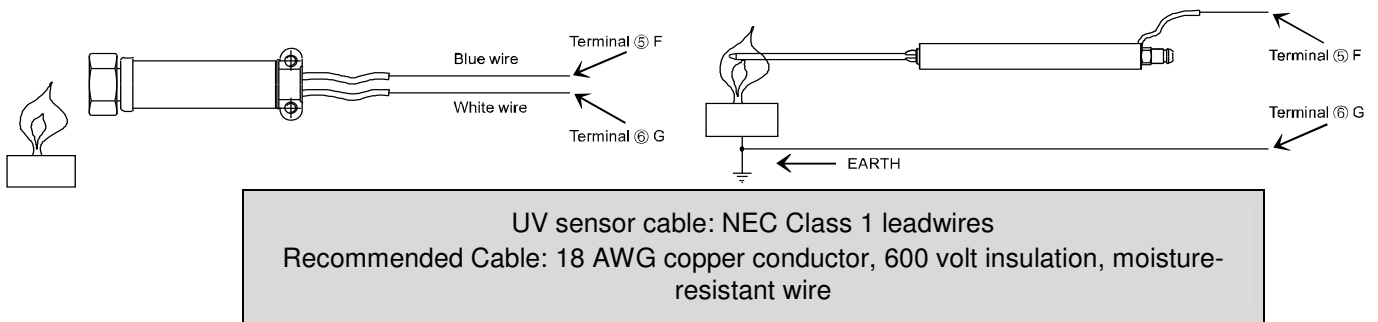


Fig. 6: Flame detector wiring



**Always use cable lugs to attach the wires to the sub base**

See Fig 6-1 for dos and don'ts about wiring.

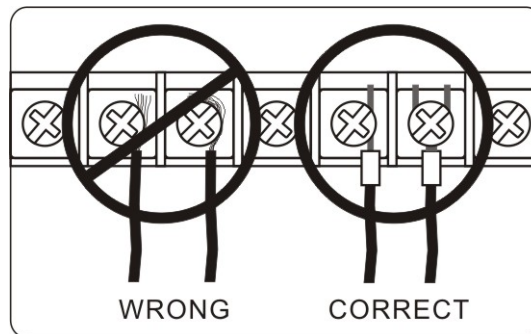


Fig. 6-1: Wiring the sub base terminals

## 6. OPERATION AND SEQUENCE

a. Manual Ignition System with Intermittent Pilot (refer to Fig. 5 ①Manual Ignition)

LED DISPLAY		STANDBY	SAFE-START	PFEP④	RUN	STANDBY
	POWER	● POWER	● POWER	● POWER	● POWER	● POWER
	FLAME	○	○	● FLAME	● FLAME	○
	SSC	○	● SSC	● SSC	● SSC	○
Ignition switch				Ignition switch		
Pilot				Intermittent pilot ③		
Main Valve					Main valve ②	
limit / interlock				limit / interlock closed		
Flame signal			Safe-start check ①	Flame proving		

1. If flame is detected before safe-start check is completed, operation is put on hold until the flame signal disappears. (① in upper table)
2. If flame is lost during RUN, the flame relays are de-energized. (②③ in upper table)
3. Pilot flame establishing period(PFEP) should comply with the application standards. (④ in upper table)

b. Flame Monitoring System (normal operation, refer to Fig. 5 ②Flame Monitoring)

LED DISPLAY		STANDBY	SAFE-START	FLAME MONITORING				STANDBY
	POWER	● POWER	● POWER	● POWER	● POWER	● POWER	● POWER	● POWER
	FLAME	○	○	○	● FLAME	○	● FLAME	○
	SSC	○	● SSC	● SSC	● SSC	● SSC	● SSC	○
Flame on				②	③	②	③	
Start				Start input (Safe-start check operation)				
Flame signal			Safe-start check ①	No flame	Flame	No flame	Flame	

1. If flame is detected before safe-start check is completed, output relays are operated as below until the flame signal disappears. (① in upper table)  
*BC1000A Model: 1K1 relay open and 2K1 relay close (T2-T4 closed)*  
*BC1000B Model: 1K1 relay open and 2K1 relay NO (T3-T2 & T3-T4 opened)*
2. If flame is lost during operation, output relays are operated as below. (② in upper table)  
*BC1000A: 1K1 relay close (T3-T4 closed) and 2K1 relay open (T2-T3 opened)*  
*BC1000B: 1K1 relay close and 2K1 relay NC (T3-T2 opened, T3-T4 closed)*
3. If flame is detected during operation, output relays are operated as below. (③ in upper table)  
*BC1000A: 1K1 relay close (T3-T4 closed) and 2K1 relay close (T2-T3 closed)*  
*BC1000B: 1K1 relay close and 2K1 relay NO (T3-T2 closed, T3-T4 opened)*



## 7. Approvals

Honeywell Technologies Sàrl  
Z.A. La Pièce 16  
1180 Rolle  
Switzerland

declares under its sole responsibility that the following product family of **flame switches**:

**BC1000 A xxxx, BC1000 B xxxx**

to which this statement relates, is:

- in conformity with the essential requirements of the **Gas Appliance Directive 2009/142/EC**

based on EN 298

and in conformity with the type as described in the EC type-examination certificate issued by TÜV Rheinland InterCert Kft with pin numbers:

- BC1000A0220F: 1009BU1560
- BC1000A0220U: 1009BU1561
- BC1000A0110U, BC1000A0110F and BC1000Bxxxx: 1008CM2504

- in conformity with the essential requirements of the **Low Voltage Directive 2006/95/EC**

based on EN 60730-2-5

- in conformity with the essential requirements of the **EMC Directive 2004/108/EC** on immunity

based on EN 298 immunity requirements

Conformity with the essential requirements of the **EMC Directive 2004/108/EC** on emission can only be determined in the application.

This product is under surveillance at KIWA Nederland BV.

Emmen, August 2011

Signed for and on behalf of Honeywell Technologies Sàrl,

A.Veld

Manager Standards & Approvals

# Sales Affiliates ECC OEM EMEA

## Germany, Austria, Switzerland, Liechtenstein

Honeywell GmbH - Hardhofweg - 74821 Mosbach - GERMANY

Ph.: (+49) 6261 81 0 - Fax: (+49) 6261 81 461 - OEM-SalesCentralEurope@Honeywell.com - www.honeywell.com/sites/de

## France

Honeywell SA - Parc Technologique de St. Aubin - Bâtiment Mercury BP87 - 91193 Gif-Sur-Yvette Cedex - FRANCE

Ph.: (+33) 1 60 19 80 00 - Fax: (+33) 1 60 19 81 81 - OEM-SalesWestEurope@Honeywell.com - www.honeywell.com/sites/fr

## Italy

Honeywell srl - Via Philips n.12 - 20052 Monza - ITALY

Ph.: (+39) 0 39 21 65 1 - Fax: (+39) 0 39 21 65 402 - OEM-SalesSouthEurope@Honeywell.com - www.honeywell.it

## Spain, Portugal

Honeywell S.A. - Josefa Valcárcel 24 - 28027 Madrid - SPAIN

Ph.: (+34) 9 13 13 61 00 - Fax: (+34) 9 13 13 61 27 - OEM-SalesSouthEurope@Honeywell.com - www.honeywell.com/sites/es

## United Kingdom

Honeywell Control System Ltd. - Unit 2 President Buildings, Savile Street East - S Yorks S4 7UQ - SHEFFIELD - UNITED KINGDOM

Ph.: (+44) 114 286 0920 - OEM-SalesUK@Honeywell.com - www.honeywell.com/sites/uk

## Netherlands, Scandinavia

Honeywell B.V. - Laarderhoogweg 18-20 - 1101 EA Amsterdam Z.O. - THE NETHERLANDS

Ph.: (+31) 2 05 65 69 11 - Fax: (+31) 2 05 65 66 00 - OEM-SalesWestEurope@Honeywell.com - www.honeywell.com/sites/nl

## Belgium, Luxembourg

Honeywell NV - Hermes Plaza Hermeslaan, 1H - 1831 Diegem - BELGIUM

Ph.: (+32) 2 728 27 11 - Fax: (+32) 2 728 24 68 - OEM-SalesWestEurope@honeywell.com - www.honeywell.be

## Turkey

Honeywell A.S. - Cayirlyolu Sok. No:7 - Ucgen Plaza, Kat:7 - Icerenkoy 34752 Istanbul - TURKEY

Ph.: (+90) 216 578 7120 - Fax: (+90) 216 575 6637 - OEM-SalesSouthEurope@Honeywell.com - www.honeywell.com/sites/tr

## Slovakia

Honeywell s.r.o. - Mlynske Nivy 71 - PO Box 75 - 82007 Bratislava 27 - SLOVAKIA

Ph.: (+421) 2 322 622 11 - Fax: (+421) 2 322 622 55 (54) - OEM-SalesEasternEurope@Honeywell.com - www.honeywell.sk

## Czech Republic

Honeywell spol. s.r.o. - V parku 2326/18 - 14800 Prague - CZECH REPUBLIC

Ph.: (+420) 242 442 111 (255) - Fax: (+420) 242 442 181 - OEM-SalesEasternEurope@Honeywell.com - www.honeywell.com/sites/cz

## Kazakhstan

Honeywell Automation Controls - 42, Timiryazev Str. - 050057 Almaty - KAZAKHSTAN

Ph.: (+7) 727 2747 747 - Fax: (+7) 727 2752 252 - OEM-SalesEasternEurope@Honeywell.com - www51.honeywell.com/ru

## Ukraine

IP Honeywell Ukraine - Silver Centre - 4, Ivana Lepshe ave. - 03680 Kiev - UKRAINE

Ph.: (+380) 44 351-15-50 (52) - Fax: (+380) 44 351-15-51 (53) - OEM-SalesEasternEurope@Honeywell.com - www51.honeywell.com/ru

## Russia

ZAO Honeywell - Luzhniki 24 - 119048 Moscow - RUSSIA

Ph.: (+7) 495 796 9800 (35) - Fax: (+7) 495 796 9894 (797 9370) - OEM-SalesEasternEurope@Honeywell.com - www51.honeywell.com/ru

## Hungary

Honeywell Kft. - Petnehazy U. 2-4 - 1139 Budapest - HUNGARY

Ph.: (+36) 1 451 4300 (46) - Fax: (+36) 1 451 4343 - OEM-SalesEasternEurope@Honeywell.com - www51.honeywell.com/hungary

## Poland

Honeywell Sp.z.o.o. - Domaniewska 39b - 02672 Warsaw - POLAND

Ph.: (+48) 22 60 60900 (50) - Fax: (+48) 22 60 60983 - OEM-SalesEasternEurope@Honeywell.com - www.honeywell.com/sites/pl

## Romania

Honeywell Romania SRL - Calea Floreasca 169A - 014462 Bucharest - ROMANIA

Ph.: (+40) 312 24 3000 (3) - Fax: (+40) 212 31 6439 - OEM-SalesEasternEurope@Honeywell.com - www.honeywell.com/sites/romania



This brochure has been printed on GreenPrinting A.C. BELLAVITE  
Elementary chlorine-free paper - using GreenPrinting philosophy  
Concept & graphic design: aglaiaas.it

● Honeywell Technologies Sàrl  
ACS – ECC EMEA  
Z.A. La Piece 16  
CH-1180 Rolle  
Switzerland  
Ph.: (+41) 21 695 3000  
Fax: (+41) 21 695 3030  
<http://ecc.emea.honeywell.com>  
[www.honeywell.com](http://www.honeywell.com)

Combustion Controls EMEA

**Honeywell**