



Item no: 3250083S

Suction cup B8 Silicone, M5 male

- Lifting movement to separate small and thin objects.
- Only lightweight objects should be handled when the lifting force is parallel to the surface.
- Suitable for level adjustment.
- Suction cups of conductive silicone and semi-conductive EPDM are suitable for objects with sensitivity to static electricity.

General

Item number, alternative	S.B8S50.MM5M.00
Application	PlasticInjectionMoldedParts, DrySheetMetal, ElectronicSemiconductor
Suction cup shape	Bellows
Material	Silicone (SIL)
Suction cup model	B
Weight	0.3 g
Volume	0.15 cm ³
Suction cup model	B8
Movement, vertical max.	3.5 mm
Curve radius, min.	1.9 mm


Fitting

Fitting option	None
Fitting size	None
Fitting style	Male
Fitting type	M-thread

Dimension

Height	19.4 mm
Outer diameter, actuated	10.1 mm
Outer diameter	8.5 mm

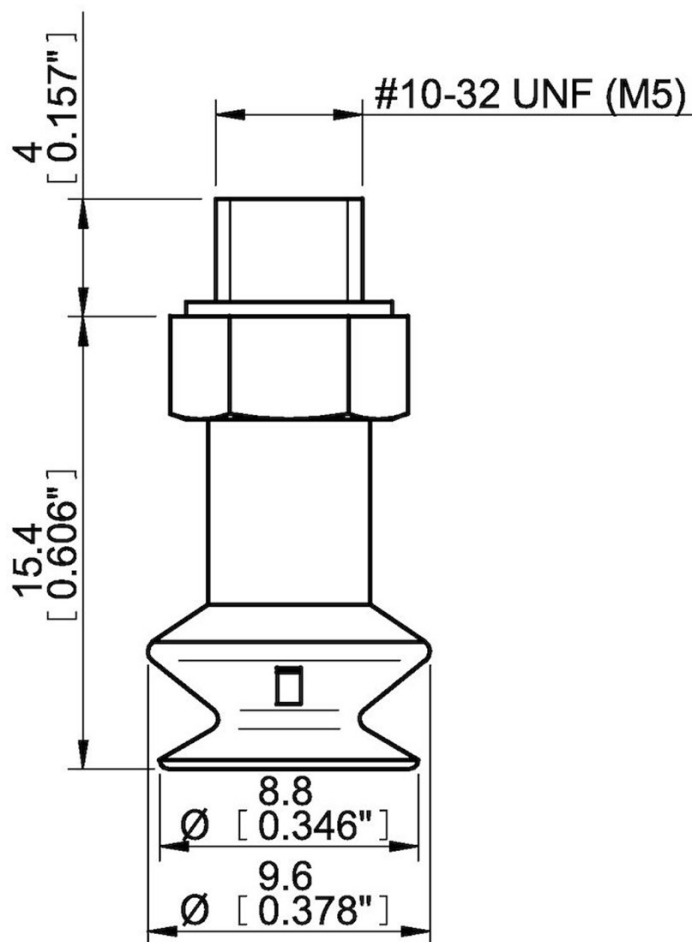
Performance - lifting forces

	B8	
20 -kPa		0.8 N
60 -kPa		1.6 N
90 -kPa		2.5 N

Material

Name	SIL
Colour	Red
Temperature	-40 - 200 °C
Hardness	50 °Shore A

	SIL
Alcohol	++
Concentrated acids	-
Ethanol	n/a
Hydrolysis	+
Methanol	n/a
Oil	-
Oxidation	+++
Petrol	-
Wear resistance	++
Weather and ozone	+++



Values specified in the data sheet are tested at:

- Room temperature: (20°C [68°F] ± 3°C [5.5°F])
- Standard atmosphere: (101.3 [29.9 inHg] ± 1.0 kPa [0.3 inHg])
- Relative humidity: 0-100%
- Compressed air quality: DIN ISO 8573-1 class 4

Accessories

0200894 | Suction cup B8 HNBR

3150287SC | Suction cup B8 Conductive silicone

3150287 | Suction cup B8 Chloroprene

Spare parts

3107031 | Fitting M5 male, 5-8

3150287S | Suction cup B8 Silicone