

Olympian Plus plug in system
Effective liquid removal and particulate filtration
Large filter element area provides minimum pressure drop
High flow unit with large valve and diaphragm
Push to lock adjusting knob with tamper resistant option

Technical data
Fluid:
Compressed air, neutral gases
 NOTE: Contact technical support for use with other media.

B64G
Maximum pressure:

Metal bowl: 250 psig (17 bar)

Operating temperature*:

 Metal bowl:
 0° to +175°F (-20° to +80°C)

B68E/G
Maximum pressure:

250 psig (17 bar)

Operating temperature*:

 0° to +175°F (-20° to +80°C)
 * Air supply must be dry enough to avoid ice formation at temperatures below +35°F (+2°C).

Particle removal:

5 or 40 µm.

Materials
B64G

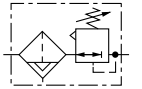
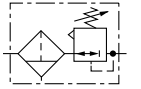
 Body: zinc
 Bonnet: aluminum
 Yoke: zinc
 Metal bowl: aluminum
 Standard metal bowl prismatic liquid level indicator lens: Grilamid
 Element: sintered polypropylene
 Elastomers: nitrile and chloroprene
 Valve: polypropylene and TPV

B68E/G

 Body: aluminum
 Yoke: aluminum
 Bonnet: aluminum
 Adjusting knob: acetal resin
 Optional T-bar adjusting screw: Steel
 Valve: aluminum
 Bowl: aluminum
 Sight glass: Pyrex
 Element: sintered bronze or polypropylene
 Elastomers: nitrile and chloroprene

Ordering information

Models listed are with PTF threads, metal bowl with automatic drain, and 40 µm element.

ISO Symbols	Port Size	Model	Flow† scfm (dm ³ /s)	Weight lb (kg)	Replacement elements
 	1/2"	B64G-4AK-AD3-RMG	225 (106)	3.69 (1.66)	4338-01 5 µm
	1"	B68E-8AK-AU3-RLN	440 (215)	6.20 (2.82)	4338-02 40 µm
	1-1/4"	B68E-AAK-AU3-RLN	440 (215)	6.42 (2.92)	1qt 5 µm 5511-01
	1-1/2"	B68E-BAK-AU3-RLN	440 (215)	6.07 (2.76)	1qt 40 µm 5511-03

** Typical flow with 150 psig (10 bar) inlet pressure, 90 psig (6.3 bar) set pressure and a 15 psig (1 bar) droop from set.

Options selector

B64G - ★ ★ ★ - ★ ★ ★ - ★ ★ ★

Port size	Substitute
1/4"	2
3/8"	3
1/2"	4
3/4"	6
Threads	Substitute
PTF	A
ISO G parallel	G
Adjustment	Substitute
Knob	K
T-bar	T
Drain	Substitute
1/4 turn manual	Q
Automatic	A

Gauge	Substitute
With	G
Without	N
Outlet Pressure Adjustment Range*	Substitute
5 to 60 psig (0.3 to 4 bar)	F
5 to 150 psig (0.3 to 10 bar)	M
10 to 250 psig (0.7 to 17 bar)	S**
Diaphragm	Substitute
Relieving	R
Non relieving	N
Element	Substitute
5 µm	1
40 µm	3
Bowl	Substitute
Metal with liquid level indicator	D

* Outlet pressure can be adjusted to pressures in excess of, and less than, those specified. Do not use these units to control pressures outside of the specified ranges.
** Units with 250 psig (17 bar) adjustment range are available only with the T-bar adjustment; therefore substitute T at the 7th digit and S at the 12th position.

Options selector

B68★ - ★ ★ ★ - ★ ★ ★ - ★ ★ ★

Bowl/Element Type	Substitute
1 quart (1 liter) bowl w/long element	E
1 pint (0.5 liter) bowl w/short element	G
Port Size	Substitute
3/4"	6
1"	8
1-1/4"	A
1-1/2"	B
Threads	Substitute
PTF	A
ISO G parallel	G
No Yoke (N in 5th position)	
1/8 Rc threaded gauge ports	N
No Yoke (N in 5th position)	
PTF threaded gauge ports	A
Adjustment	Substitute
Knob	K
T-bar	T
Drain	Substitute
Automatic	A
Manual, 1/4 turn	Q

Gauge	Substitute
With	G
Without	N
Outlet Pressure Adjustment Range*	Substitute
5 to 60 psig(0 to 4 bar)	F
5 to 120 psig (0.4 to 8 bar)	L
10 to 250 psig (0.7 to 17 bar)	S***
Diaphragm	Substitute
Relieving	R
Non relieving	N
Element	Substitute
5 µm	1
40 µm	3
Bowl	Substitute
1 litre	U
1/2 litre	R †

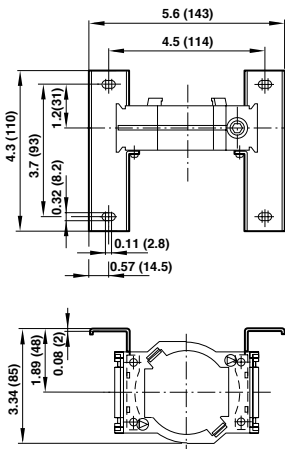
† Only available with B68E
* Outlet pressure can be adjusted to pressures in excess of, and less than, those specified. Do not use these units to control pressures outside of the specified ranges.
*** Units with 250 psig (17 bar) adjustment range are available only with the T-bar adjustment; therefore substitute T at the 7th digit and S at the 12th position.

Accessories

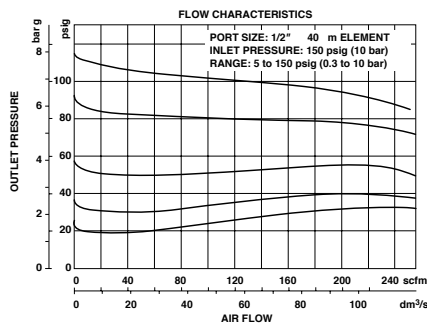
Bracket kit	Bracket kit	Gauge 0 to 160 psig	3/2 Shut-off valve	Single yoke	Double yoke	Tamper resistant kit	Service kit
B64G	74504-50	18-013-204	T64E-2AB-P1N – G 1/4 T64E-3AB-P1N – G 3/8 T64E-4AB-P1N – G 1/2 T64E-6AB-P1N – G 3/4	Y64A-2AA-N1N Y64A-3AA-N1N Y64A-4AA-N1N Y64A-6AA-N1N	Y64A-2AA-N2N Y64A-3AA-N2N Y64A-4AA-N2N Y64A-6AA-N2N	4355-50	Relieving 4383-200
B68G	18-001-979 – 3/4 18-001-979 – 1 18-001-978 – 1-1/4 -	18-013-204	T68E-6AB-B2N – G 3/4 T68E-8AB-B2N – G 1 T68E-AAB-B2N – G 1-1/4 T68E-BAB-B2N – G 1-1/4	Y68A-6AN-N1N Y68A-8AN-N1N Y68A-AAN-N1N Y68A-BAN-N1N	Y68A-6AN-N2N Y68A-8AN-N2N Y68A-AAN-N2N Y68A-BAN-N2N	4355-50	Relieving 4383-300
						4355-50	

*68 Series uses a ball handle.

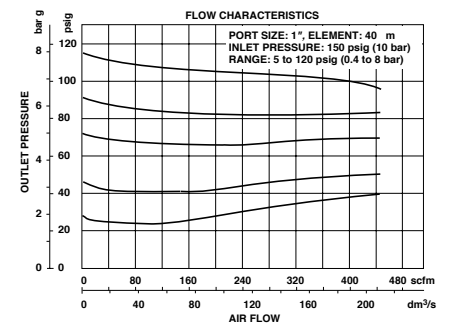
Mounting bracket (B64G)



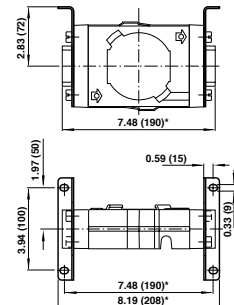
Typical Performance Characteristics
B64G



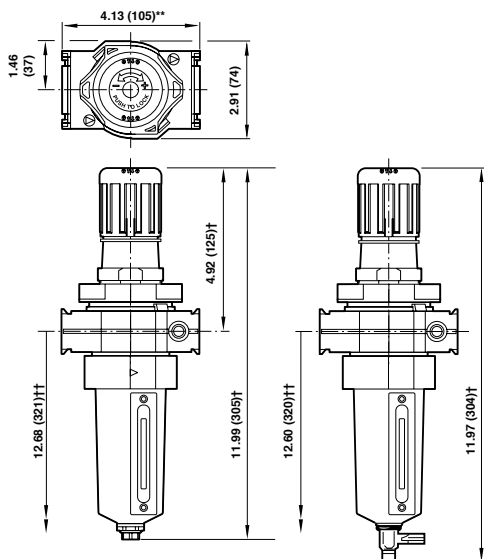
B68E/G



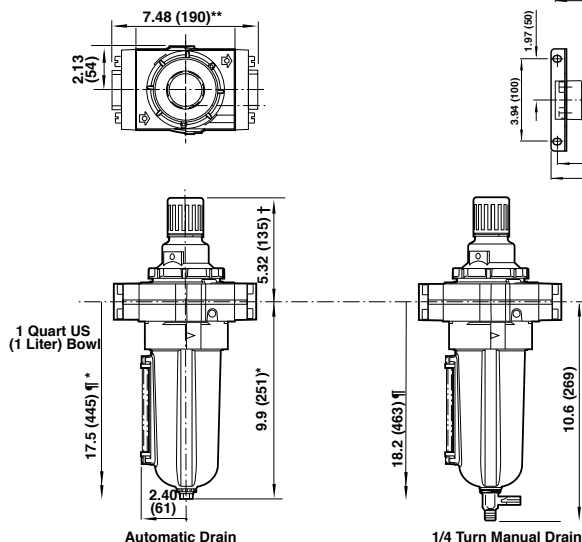
Mounting bracket (B68G)



B64G



B68E/G



1 Quart US (1 Liter) Bowl
† Add 1.46" (37 mm) for unit with T-bar adjustment.
** For 1-1/4" and 1-1/2" ported yokes, add 0.39" (10 mm).

* Dimension also applies to closed bottom bowl.
†† Minimum clearance required to remove bowl.

** 4.13 (105) for 1/4", 3/8", and 1/2" ported yokes.
6.18" (157) for 3/4" ported yokes.
† Add 1.46 (37) for units with T-handle adjustment.
†† Minimum clearance required to remove unit.
Add 1.46 (37) for units with T-handle adjustment.

Dimensions in inches (mm)