



# **Cylinder Control Accessories Exhaust Silencers**

*Catalogue no. PDE2566TCUK-ev  
Edition : January 2007*



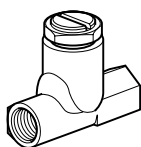
- Screw driver or hand adjustment
- Rugged brass bodies
- Panel mounted versions
- High flow rate
- High flow by-pass
- Wide range of sizes



### Operating and additional information

Operating pressure:	0 to 28 bar for air - 0 to 55 bar oil or water
Operating temperature:	-10°C to +80°C
Body material:	Brass
Control knob:	Brass
Adjustment mode:	Knurled knob or screw driver adjustment

### Standard Type

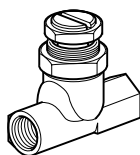


Symbol



Thread	Number of turns	Qmax input at 6 bar, l/min*	Weight kg	Order code
G1/8	6	1320	0,114	<b>B3250X</b>
G1/4	5	2880	0,224	<b>B3250AB</b>
G3/8	5	6300	0,378	<b>B3250BB</b>
G1/2	5	7680	0,792	<b>B3250CB</b>
G3/4	4,5	10680	1,300	<b>B3250DB</b>

### Panel Mounting Type

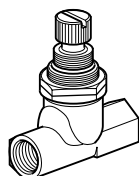


Symbol



Thread	Number of turns	Qmax input at 6 bar, l/min*	Weight kg	Order code
G1/8	6	1320	0,120	<b>B3250XP</b>
G1/4	5	2880	0,226	<b>B3250ABP</b>

### Panel Mounted Hand Adjustment Type



Symbol

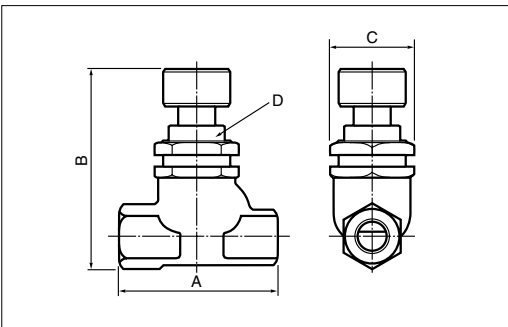


Thread	Number of turns	Qmax input at 6 bar, l/min*	Weight kg	Order code
G1/8	6	1320	0,128	<b>B3250HX</b>
G1/4	5	2880	0,238	<b>B3250HA</b>

\* Screw closed

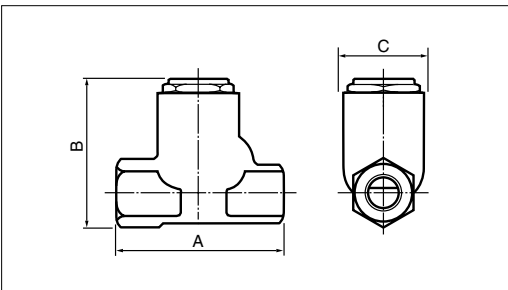
## Dimensions, Flow Control Valves, B3250 Series

### Flow Control Valves, Panel Mounted Hand Adjustment Type



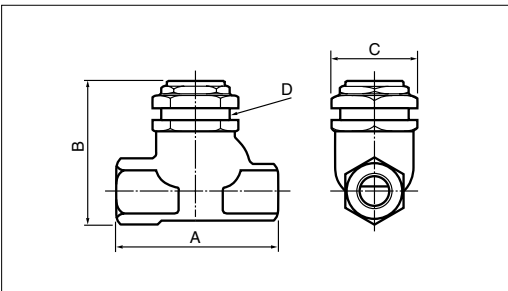
Order code	Port size	A	B	C	D
<b>B3250HX</b>	G1/8	44	57	21	20
<b>B3250HA</b>	G1/4	57	70	32	25

### Flow Control Valves, Standard Type



Order code	Port size	A	B	C
<b>B3250X</b>	G1/8	44	40	21
<b>B3250AB</b>	G1/4	57	51	28
<b>B3250BB</b>	G3/8	68	64	35
<b>B3250CB</b>	G1/2	79	78	41
<b>B3250DB</b>	G3/4	90	92	51

### Flow Control Valves, Panel Mounted Type



Order code	Port size	A	B	C	D
<b>B3250XP</b>	G1/8	44	40	21	20
<b>B3250ABP</b>	G1/4	57	51	32	25