



Item no: 0101102

## Suction cup B20 Silicone

- Suitable for level adjustment. Several short bellows in one lifting device can handle objects with height differences and varying shapes, for example embossed or corrugated plates.
- The lifting movement can be used to separate small and thin objects.
- Only lightweight objects should be handled when the lifting force is parallel to the surface of the object, in order to achieve good precision and safe lifting movement.

### General

Item number, alternative	E12022020
Application	PlasticInjectionMoldedParts, DrySheetMetal
Suction cup shape	Bellows
Material	Silicone (SIL)
Suction cup model	B
Weight	3.2 g
Volume	2.7 cm <sup>3</sup>
Suction cup model	B20
Movement, vertical max.	10 mm
Curve radius, min.	10 mm



### Fitting

Fitting option	None
Fitting size	None
Fitting style	None
Fitting type	None

### Dimension

Height	19 mm
Outer diameter	22 mm

Performance - lifting forces

	B20		
20 -kPa		5.9 N	2.9 N
60 -kPa		9.8 N	5.4 N
90 -kPa		14 N	8.22 N

---

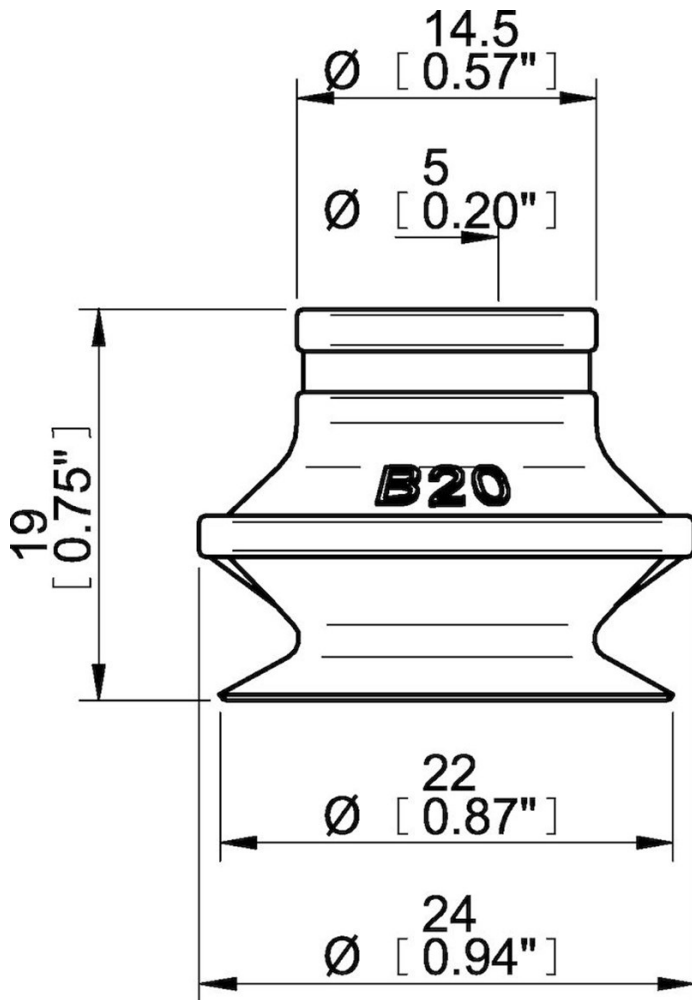
Material

Name	SIL
Colour	Red
Temperature	-40 - 200 °C
Hardness	50 °Shore A

---

	SIL
Alcohol	++
Concentrated acids	-
Ethanol	n/a
Hydrolysis	+
Methanol	n/a
Oil	-
Oxidation	+++
Petrol	-
Wear resistance	++
Weather and ozone	+++

---



Values specified in the data sheet are tested at:

- Room temperature: (20°C [68°F] ± 3°C [5.5°F])
- Standard atmosphere: (101.3 [29.9 inHg] ± 1.0 kPa [0.3 inHg])
- Relative humidity: 0-100%
- Compressed air quality: DIN ISO 8573-1 class 4

Accessories

- 3251001 | Fitting M5 female, with dual flow control valve
- 3250003 | Fitting M5 female
- 0101152 | Fitting G1/8" male/M5 female, with mesh filter
- 3251004 | Fitting G1/8" male/M5 female, with dual flow control valve
- 3150196 | Fitting G1/8" male/M5 female, PA
- 3250004 | Fitting G1/8" male/M5 female
- 3250085 | Fitting G1/8" male, with mesh filter
- 3251005 | Fitting 5xM5 female, with dual flow control valve
- 0100260 | Fitting 5xM5 female
- 3250088 | Fitting 1/8" NPT male, with mesh filter
- 3251003 | Fitting 1/8" NPT male, with dual flow control valve