

**10 and 15 Series
Combination Units
G¹/₈ to G¹/₂
Olympian**

- Olympian plug-in design
- Any arrangement of Olympian plug-in Filters, Filter-Regulators, Regulators, Lubricators and Shut-Off Valves can be ordered assembled together
- Provide complete control of compressed air processing equipment in one handy location
- Lubro-Control and Vitalizer units

Technical Data

Medium:

Compressed air only

Maximum Inlet Pressure:

10 bar transparent bowl

16 bar metal bowl

Operating Temperature:

-20°C* to +50°C transparent bowl

-20°C* to +80°C metal bowl

*Consult our Technical Service for use below +2°C

Filters

Automatic or manual drain

Element - 40 µm nominal

Transparent bowl - 10 series

Metal bowl with sightglass - 15 series

Filter-Regulators

Filter section - as above

Regulating section - relieving type

Lubricators

Micro-Fog or Oil-Fog

50 cm³ capacity transparent bowl - 10 series

0,5 litre capacity metal bowl with sightglass - 15 series

Materials

10 series:

Zinc alloy body. Polycarbonate bowl to BS 6005. Polypropylene filter element. Synthetic rubber elastomeric materials.

15 series:

Aluminium alloy body and bowl. Sintered bronze filter element. Synthetic rubber elastomeric materials.

Note: The data above applies to the individual units that make up the models listed overleaf. For data concerning alternative bowl materials, filter elements, spring ranges etc., see individual product pages.

Ordering Information

To order a standard Olympian Combination Unit, quote model number from tables overleaf.

For non-standard models please consult our Technical Service.



Port Sizes

G¹/₈, G¹/₄, G³/₄, G1, G1¹/₄, G1¹/₂ to

ISO 1179

Accepts ISO 228 (BS 2779) parallel or ISO 7

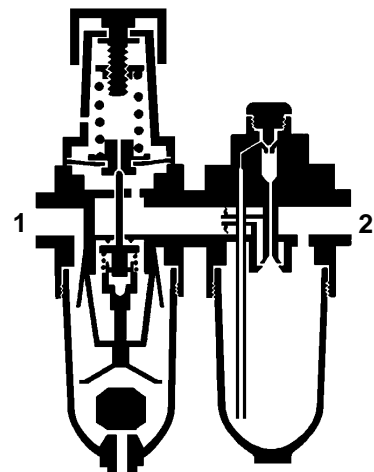
(BS 21) taper connectors

Alternative Models

Other bowl materials, filter elements, spring ranges etc. on request

For combinations not listed overleaf, quote the individual component numbers required

Other port thread forms





Lubro-Control Units

Micro-Fog

Series	Port Size	Filter-Regulator	Comprising Lubricator	Filter Section Drain Type	Model	Weight kg
10 Series	G ¹ / ₈	B10-000-S3KO	L10-000-MPEO	Semi-automatic	M2H-101-S3ED	1,08
		B10-000-M3KO		Manual	M2H-101-M3ED	1,04
	G ¹ / ₄	B10-000-S3KO		Semi-automatic	M2H-201-S3ED	1,08
		B10-000-M3KO		Manual	M2H-201-M3ED	1,04
15 Series	G ³ / ₄	B15-096-F3LO	L15-000-MP9O	Automatic	M8H-668-F39D	5,03
		B15-096-B3LO		Manual	M8H-668-B39D	4,88
	G1	B15-096-F3LO		Automatic	M8H-868-F39D	5,00
		B15-096-B3LO		Manual	M8H-868-B39D	4,85
	G1 ¹ / ₄	B15-096-F3LO		Automatic	M8H-A68-F39D	5,06
		B15-096-B3LO		Manual	M8H-A68-B39D	4,91
	G1 ¹ / ₂	B15-096-F3LO		Automatic	M8H-B68-F39D	5,07
		B15-096-B3LO		Manual	M8H-B68-B39D	4,92

Oil-Fog

Series	Port Size	Filter-Regulator	Comprising Lubricator	Filter Section Drain Type	Model	Weight kg
10 Series	G ¹ / ₈	B10-000-S3KO	L10-000-OPEO	Semi-automatic	M2J-101-S3ED	1,06
		B10-000-M3KO		Manual	M2J-101-M3ED	1,02
	G ¹ / ₄	B10-000-S3KO		Semi-automatic	M2J-201-S3ED	1,06
		B10-000-M3KO		Manual	M2J-201-M3ED	1,02
15 Series	G ³ / ₄	B15-096-F3LO	L15-000-OP9O	Automatic	M8J-668-F39D	5,03
		B15-096-B3LO		Manual	M8J-668-B39D	4,88
	G1	B15-096-F3LO		Automatic	M8J-868-F39D	5,00
		B15-096-B3LO		Manual	M8J-868-B39D	4,85
	G1 ¹ / ₄	B15-096-F3LO		Automatic	M8J-A68-F39D	5,06
		B15-096-B3LO		Manual	M8J-A68-B39D	4,91
	G1 ¹ / ₂	B15-096-F3LO		Automatic	M8J-B68-F39D	5,07
		B15-096-B3LO		Manual	M8J-B68-B39D	4,92

All model numbers are for combinations without gauge.

Non-standard Models

For combinations supplied complete with exhaust type T Shut-Off Valve fitted upstream, substitute 'T' for 'M' at the first digit, e.g. T2H-101-S3ED.

For assemblies with Porting Blocks, Non-relieving Regulators and Filter-Regulators, 'T' handles, alternative Filter Elements, Springs or Metal Bowls, please specify.

Accessories

Wall Mounting Bracket Kits, see pages 8.4.021.05 and 8.4.021.06.

Pressure Gauges, see page 8.11.031.01.



Vitalizer Units

Micro-Fog

Series	Port Size	Filter	Comprising Lubricator	Filter Drain	Model	Weight kg
10 Series	G ¹ / ₈	F10-000-S3TO	L10-000-MPEO	Semi-automatic	M2C-101-S3ED	0,98
		F10-000-M3TO		Manual	M2C-101-M3ED	0,98
	G ¹ / ₄	F10-000-S3TO		Semi-automatic	M2C-201-S3ED	0,98
		F10-000-M3TO		Manual	M2C-201-M3ED	0,98
15 Series	G ³ / ₄	F15-000-A3HO	L15-000-MP9O	Automatic	M8C-661-F39D	4,59
		F15-000-M3HO		Manual	M8C-661-B39D	4,39
	G1	F15-000-A3HO		Automatic	M8C-861-F39D	4,56
		F15-000-M3HO		Manual	M8C-861-B39D	4,36
	G ¹ / ₄	F15-000-A3HO		Automatic	M8C-A61-F39D	4,62
		F15-000-M3HO		Manual	M8C-A61-B39D	4,42
	G ¹ / ₂	F15-000-A3HO		Automatic	M8C-B61-F39D	4,63
		F15-000-M3HO		Manual	M8C-B61-B39D	4,43

Oil-Fog

Series	Port Size	Filter	Comprising Lubricator	Filter Drain	Model	Weight kg
10 Series	G ¹ / ₈	F10-000-S3TO	L10-000-OPEO	Semi-automatic	M2D-101-S3ED	0,98
		F10-000-M3TO		Manual	M2D-101-M3ED	0,98
	G ¹ / ₄	F10-000-S3TO		Semi-automatic	M2D-201-S3ED	0,98
		F10-000-M3TO		Manual	M2D-201-M3ED	0,98
15 Series	G ³ / ₄	F15-000-A3HO	L15-000-OP9O	Automatic	M8D-661-F39D	4,59
		F15-000-M3HO		Manual	M8D-661-B39D	4,39
	G1	F15-000-A3HO		Automatic	M8D-861-F39D	4,56
		F15-000-M3HO		Manual	M8D-861-B39D	4,36
	G ¹ / ₄	F15-000-A3HO		Automatic	M8D-A61-F39D	4,62
		F15-000-M3HO		Manual	M8D-A61-B39D	4,42
	G ¹ / ₂	F15-000-A3HO		Automatic	M8D-B61-F39D	4,63
		F15-000-M3HO		Manual	M8D-B61-B39D	4,43

All model numbers are for combinations without gauge.

Non-standard Models

For combinations supplied complete with exhaust type T Shut-Off Valve fitted upstream, substitute 'T' for 'M' at the first digit, e.g. T2C-101-S3ED. For assemblies with Porting Blocks and alternative Filter Elements or Metal Bowls, please specify.

Accessories

Wall Mounting Bracket Kits, see pages 8.4.021.05 and 8.4.021.06.

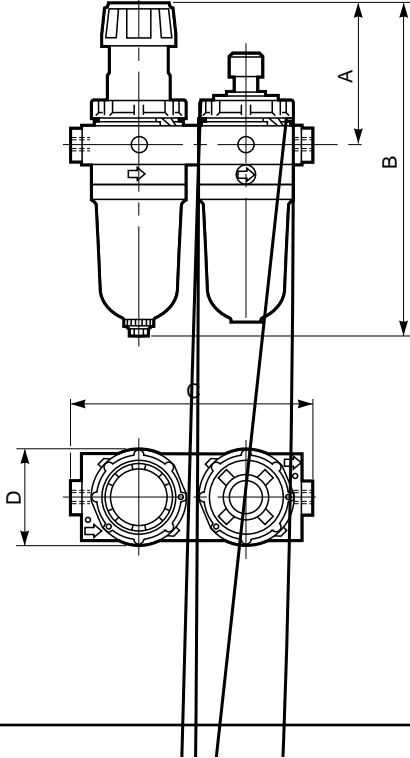


Lubro-Control Units

10 and 15 Series

Series	Port Size	A	B		C*	D
			Auto	Man		
10	G ¹ / ₈ , G ¹ / ₄	58	221	186	116	48
15	G ³ / ₄ , G1	140	328	340	315	112
	G1 ¹ / ₄ , G1 ¹ / ₂	140	328	340	325	112

*If Porting Block is fitted add to dimensions:
 30 mm (15 Series).
 If Shut-Off Valve is fitted add to dimensions:
 27 mm (10 Series), 46 mm (15 Series).

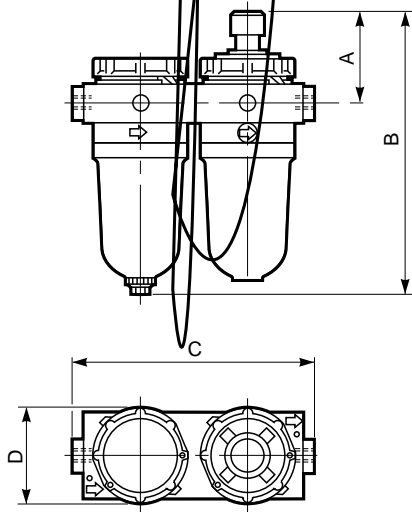


Vitalizer Units

10 and 15 Series

Series	Port Size	A	B		C*	D
			Auto	Man		
10	G ¹ / ₈ , G ¹ / ₄	54	217	185	116	48
15	G ³ / ₄ , G1	75	263	275	315	112
	G1 ¹ / ₄ , G1 ¹ / ₂	75	263	275	325	112

*If Porting Block is fitted add to dimensions:
 30 mm (15 Series).
 If Shut-Off Valve is fitted add to dimensions:
 27 mm (10 Series), 46 mm (15 Series).

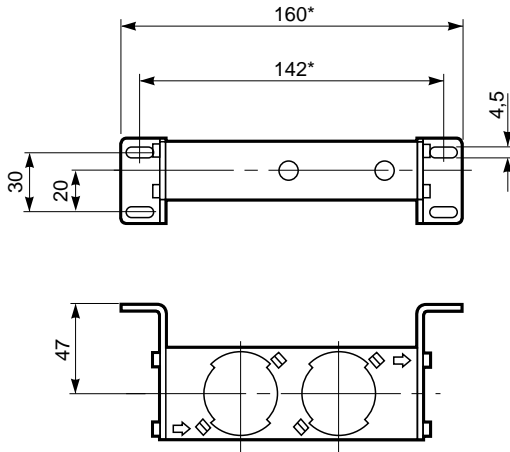




Bracket Mounting - 10 Series

Outward Facing

**Outward Facing
Bracket Kit reference:
18-001-971**

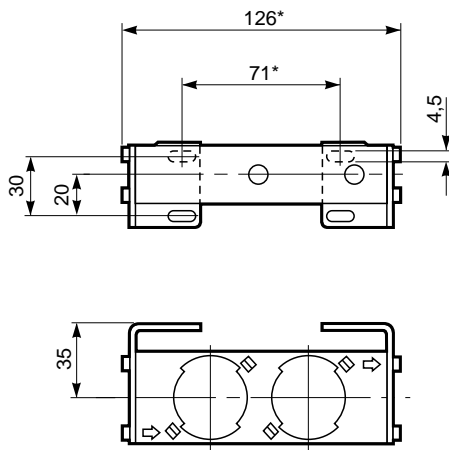


*If Shut-Off Valve fitted add 27 mm to dimensions.

Bracket Mounting - 10 Series

Inward Facing

**Inward Facing
Bracket Kit reference:
18-001-970**



*If Shut-Off Valve fitted add 27 mm to dimensions.



Bracket Mounting - 15 Series

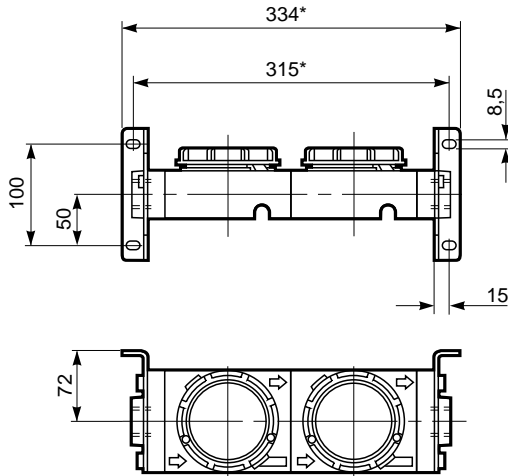
Bracket Kit reference:

G³/₄ 18-001-979

G1 18-001-979

G1¹/₄ 18-001-978

G1¹/₂ N/A



*If Porting Block fitted add 30 mm to dimensions.

*If Shut-Off Valve fitted add 46 mm to dimensions.

Warning

These products are intended for use in industrial compressed air systems only. Do not use these products where *pressures* and *temperatures* can exceed those listed under '**Technical Data**'.

Before using these products with fluids other than those specified, for non-industrial applications, life-support systems, or other applications not within published specifications, consult NORGREN MARTONAIR.

Through misuse, age, or malfunction, components used in fluid power systems can fail in various modes. The system designer is warned to consider the failure modes of all component parts used in fluid power systems and to provide adequate safeguards to prevent personal injury or damage to equipment in the event of such failure.

System designers must provide a warning to end users in the system instructional manual if protection against a failure mode cannot be adequately provided.

System designers and end users are cautioned to review specific warnings found in instruction sheets packed and shipped with these products.