



Item no: 0205168

## Suction cup B10XP Polyurethane 60, M5 male

â€¢ Suitable for limited level adjustment with good stability.

â€¢ Excellent gripping performance on corrugated and porous or surface leaking objects such as cardboard, textured plastic parts and composite material (raw surface)

â€¢ In the two-coloured suction cup the bellows and the sealing lip are of different hardnesses, which makes the suction cup strong and stable for accelerations and speed, at the same time, soft and flexible.

â€¢ DURAFLEX® suction cups manufactured in a specially developed material that features the elasticity of rubber and wear resistance of polyurethane.

â€¢ The material DURAFLEX® is mark free.

### General

Suction cup shape	Bellows
Application	DrySheetMetal, GlassHandling
Material	Polyurethane (PU60)
Suction cup model	B-XP
Weight	0.6 g
Volume	0.19 cm <sup>3</sup>
Suction cup model	B10XP PU60
Movement, vertical max.	3 mm
Curve radius, min.	6 mm

### Fitting



Fitting option	None
Fitting size	M5
Fitting style	Male
Fitting type	M-thread

Dimension

Height	22.4 mm
Outer diameter	11 mm

---

Performance - lifting forces

	B10XP PU60		
20 -kPa		3.1 N	1 N
60 -kPa		4.6 N	2.5 N
90 -kPa		5.5 N	3 N

---

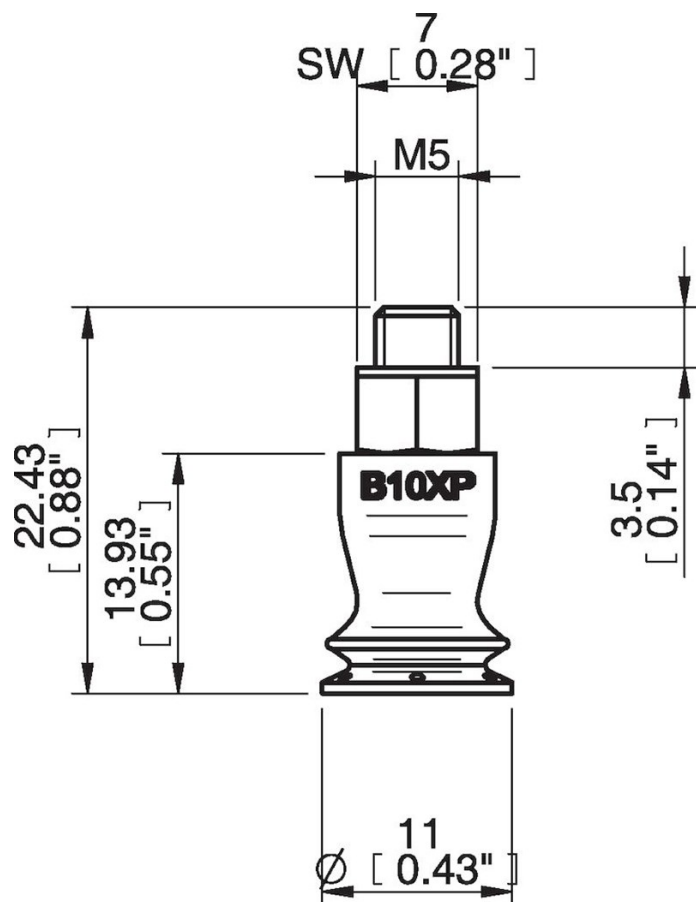
Material

Name	
Colour	
Temperature	10 - 50 °C
Hardness	60 °Shore A

---

Alcohol	n/a
Concentrated acids	+
Ethanol	+
Hydrolysis	+
Methanol	-
Oil	+++
Oxidation	-
Petrol	+
Wear resistance	+++
Weather and ozone	+++

---



Values specified in the data sheet are tested at:

• Room temperature: (20°C [68°F] ± 3°C [5.5°F])

• Standard atmosphere: (101.3 [29.9 inHg] ± 1.0 kPa [0.3 inHg])

• Relative humidity: 0-100%

• Compressed air quality: DIN ISO 8573-1 class 4

#### Accessories

0204978 | Suction cup B10XP Polyurethane 30/60

#### Spare parts

3107030 | Fitting M5 male, 10-15

0205169 | Suction cup B10XP Polyurethane 60