



AIR TORQUE®

AIR TORQUE S.p.A.

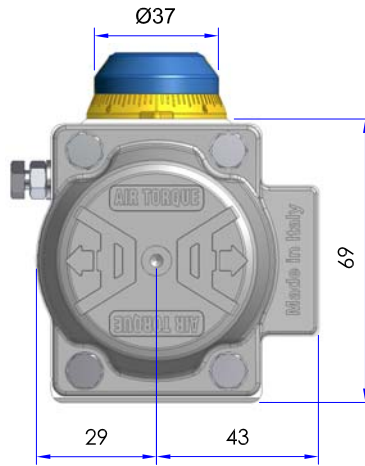
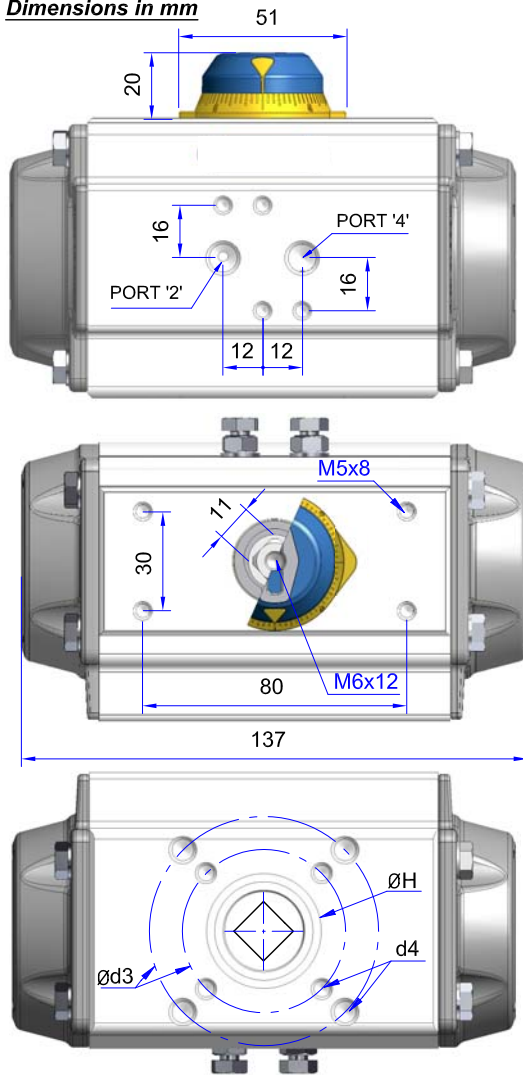
via Alla Campagna, N° 1
24060 Costa di Mezzate (Bg) Italy
Tel.: +39 035 682299
Fax: +39 035 687791
E-mail: info@airtorque.it



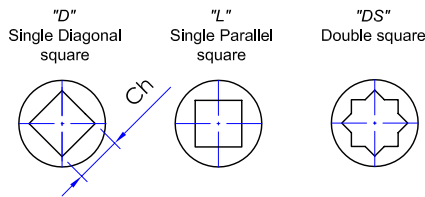
Model AT051 U D/S - 90°

T.D.S. n° AT051U-DM
Issued on: 10/09 - Page 1/1

Dimensions in mm

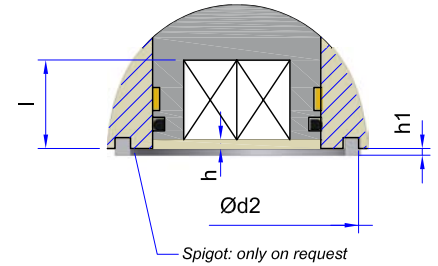


Optional Square:



ISO 5211 Flange Dimensions Available

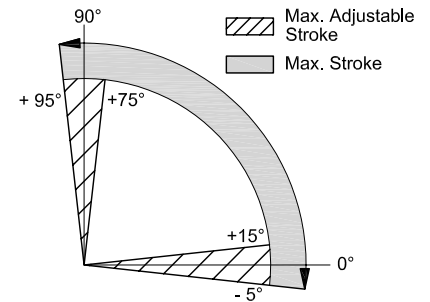
ISO 5211	STD	OPTIONAL	
	F04	F03	F05
Ø d2	30	25	NA
d3	42	36	50
Ø d4	M5x8	M5x8	M6x9
Ø H	30	25	
Ch x l	9x11 - 11x12		
min. DS	11x12		
h min.	0,5	0,5	0,5
h1	1,5	1,5	NA



Connection / Attachment

Pressure connection: Port 2 and 4	G1/8"
Ancillary Attachment	AA1

Rotation and stroke adjustment



Output Torque

Pressure	OUTPUT TORQUE FOR DOUBLE ACTING IN Nm												APPROX. WEIGHT (Kg)	
	2,5 bar	3 bar	3,5 bar	4 bar	4,2 bar	4,5 bar	5 bar	5,5 bar	6 bar	7 bar	8 bar			
0° 90°	8,3	10	11,6	13,3	14	15	16,6	18,3	19,9	23,3	26,6	1,1		

Pressure	OUTPUT TORQUE FOR SPRING RETURN IN Nm												Spring stroke		APPROX. WEIGHT (Kg)
	2,5 bar	3 bar	3,5 bar	4 bar	4,2 bar	4,5 bar	5 bar	5,5 bar	6 bar	7 bar	8 bar	90°	0°		
Spring Set	Start End	Start End	Start End	Start End	Start End	Start End	Start End	Start End	Start End	Start End	Start End	Start End	Start End	Start End	
S 1	5,0 3,0	7,0 4,7	8,0 6,3	10,0 8,0	9,4 8,3	11,7 9,6	13,3 11,3					5,3	3,3	1,12	
S 2	4,0 1,9	6,0 3,6	7,7 5,3	9,3 6,9	9,0 7,4	11,0 8,6	12,7 10,2	14,3 11,9				6,4	4	1,14	
S 3		5,3 2,5	7,0 4,2	8,7 5,8	8,2 6,6	10,3 7,5	12,0 9,2	13,7 10,8	15,3 12,5			7,4	4,6	1,16	
S 4			6,3 3,0	8,0 5,0	7,6 5,8	9,7 6,4	11,3 8,1	13,0 9,8	14,7 11,4	18,0 14,7		8,5	5,3	1,18	
S 5				7,3 3,7	7,0 4,9	9,0 5,4	10,7 7,0	12,3 8,7	14,0 10,0	17,3 13,7	20,6 17,0	9,6	5,9	1,2	
S 6						8,4 4,3	10,0 6,0	11,7 7,6	13,3 9,3	16,7 12,6	20,0 16,0	10,6	6,6	1,22	
S 7							9,4 4,9	11,0 6,6	13,0 8,2	16,0 11,6	19,3 14,9	11,7	7,3	1,24	
S 8								10,4 6,0	12,0 7,2	15,3 10,5	18,7 13,8	12,8	7,9	1,26	

Technical Data

Max. Pressure	Rotation (For STD)	Screw stroke Adjustment	Chamber φ (mm)	Air Volume (L)		Moving Time (Sec.) (A)	
				Opening	Closing	Opening	Closing
8 bar	0° - 90°	For 1° adj. need 1/6 Turn	50	0,09	0,15	D 0,20 S 0,25	D 0,25 S 0,30

A) - The above indicated moving time of the actuator is obtained in the following test conditions: (1) Room Temperature, (2) Actuator Stroke 90°, (3) Solenoid Valve with Orifice of 4 mm and a flow capacity Qn 400 L/min., (4) Inside pipe diameter 8 mm, (5) Medium clean air, (6) Air supply pressure 5,5 bar (79,75 Psi), (7) Actuator without external resistance load. **Caution: obviously on the field applications when one or more of the above parameters are different, the moving time will be different.**

Operating Medium:

The operating medium must be free of dust and oil. The maximum particle size must not exceed 30µ (ISO 8573 Part1, Class5). In order to prevent water condensation and/or solidification (ice when actuator works below 0°C), the operating medium must have a dew point equal to -20°C or at least 10°C below the ambient temperature (ISO 8573 Part1, Class3).

Operating Temperature Range Options

ST (standard)	Operating Temperature (°C) (B)	
	HT (high temperature)	LLT (Extreme low temperature)
-40 to +80	-15 to +150	-55 to +80

B) - Every temperature range option requires proper components and lubricant. See technical data-sheet N° T.D.S. U00501E.