

Areamaster™ Generation 2 and High Lumen LED Luminaire Floodlight for Hazardous Locations

NEC/CEC:

Class I, Division 2, Groups A, B, C, D
Class I, Zone 2 AEx/Ex ec Group IIC Gc
Class II, Division 1 and 2, Groups E, F, G
Class III
Zone 20 and 21 Group IIIC

NEC/CEC:

Zone 21, AEx/Ex tb Group IIIC Db
Simultaneous Exposure
Marine Outside Type (Salt Water) for USA ONLY
Wet Locations
Type 3R, 4, 4X, IP66/67

ATEX/IECEX:

Zone 2, 21, 22
IP66
II 2D 3G
IK10
Ex ec IIC T5

Applications

- Enclosed and gasketed fixtures suitable for use in a wide range of industrial, chemical processing and other areas where flammable gases and vapors are present, for example:
 - Oil and Gas Refineries
 - Petrochemical Plants
 - Foundries
 - Drilling Rigs
 - Pulp and Paper Mills
 - Food and Beverage Processing Facilities
 - Loading Docks
 - Power Plants
 - Water and Wastewater Treatment Facilities
 - Other areas where corrosive, wet, dirty and tough environments are a problem
- IP66/IP67, Type 4X, marine and wet locations. IP66 for IECEX/ATEX.
- Locations requiring dependable, consistent lighting in extreme hot/cold temperature environments. -40°C to +65°C (-40°F to +149°F) ambient temperature range. -40°C to +55°C (-40°F to +131°F) for high lumen AMLHL3 output.
- Globally rated luminaires with all applicable certification labels for NEC/CEC and ATEX/IECEX environments. See Certifications and Compliances for details.

Features

- Six lumen outputs provide up to 38,000 lumens.

Nominal Lumens ①	Wattage (W)	Efficacy (lpw)	HID Equivalent	Model Number
9,500	70	136	175W-250W	AMLGL6
15,000	111	135	250W-400W	AMLGL7
19,500	152	125	400W-750W	AMLGL8
24,000	177	136	1000W	AMLHL1
30,000	221	136	1000-1500W	AMLHL2
38,000	297	128	1500W	AMLHL3

① Nominal lumen value for 5000K, NEMA 7x7, with clear glass.
Detailed lumen information provided in tables.

- Choice of optics for optimal light distribution in a variety of applications.
- Separate field wiring compartment with screw terminal block for easy and secure connection (can accept UL/CSA 26-10AWG).
- Two 3/4" NPT entries provided. Optional M20 metric adapters available.
- Yoke bracket is designed to accommodate traditional Areamaster brackets and slipfitters for easy retrofit. Optional stainless steel yoke bracket is available.
- Choice of color temperature (CCT): 5000K cool white, 4000K neutral white, or 3000K warm white.
- Rugged and compact housing with superior thermal design translates to long luminaire life.
- Heavy duty, high temperature silicone rubber gaskets.
- Thermal shock and impact resistant clear or frosted glass lens.
- Standard 6KV surge protection.
- Captive fasteners secure one piece lens.
- Field replaceable LED driver and lens cover.



AMLH

Options

- Improved safety cable design with multiple retention points, purchase separately
- Guard and visor available, purchase separately
- Slip-fitters and mounting brackets available for easy pole or wall mounting
- Stainless steel yoke bracket
- 10kV Surge Protection, for NEC/CEC only

Standard Materials

- Housing and lens door: copperfree (4/10 of 1% max.) aluminum
- Gaskets: silicone rubber
- Yoke: zinc plated HR steel
- Bolts: stainless steel
- Close up plugs: (1) aluminum provided
- Guard and safety cable: stainless steel
- Visor: Aluminum

Standard Finishes

- Housing, lens cover, visor and yoke mount: architectural bronze polyester

Related Products

- Industrial Areamaster Generation 2 and High Lumen LED
- Round Tapered Steel Poles
- Hinged Steel Poled
- Square Tapered Steel Poles
- Square Steel Poles
- Floodlight Mounting Brackets

Areamaster™ Generation 2 and High Lumen LED Luminaire Floodlight for Hazardous Locations

NEC/CEC:

Class I, Division 2, Groups A, B, C, D
Class I, Zone 2 AEx/Ex ec Group IIC Gc
Class II, Division 1 and 2, Groups E, F, G
Class III
Zone 20 and 21 Group IIIC



NEC/CEC:

Zone 21, AEx/Ex tb Group IIIC Db
Simultaneous Exposure
Marine Outside Type (Salt Water) for USA ONLY
Wet Locations
Type 3R, 4, 4X, IP66/67

ATEX/IECEX:

Zone 2, 21, 22
IP66
II 2D 3G
IK10
Ex ec IIC T5

Lumen Output Tables — AMLG

Diffusion	Color Temperature CCT	Lumen Output ①	Wattage	Efficacy (lm/W)	Optical Pattern	Catalog Number ②
	5000K Cool White	9,900	70	141	NEMA 7x7	AMLGL6CG6BU
		9,500		136	NEMA 7x6	AMLGL6CG7BU
		15,000	111	135	NEMA 7x7	AMLGL7CG6BU
		14,500		131	NEMA 7x6	AMLGL7CG7BU
		19,500	152	128	NEMA 7x7	AMLGL8CG6BU
		18,500		122	NEMA 7x6	AMLGL8CG7BU
	4000K Neutral White	9,000	70	129	NEMA 7x7	AMLGL6NG6BU
		8,500		121	NEMA 7x6	AMLGL6NG7BU
		13,650	111	123	NEMA 7x7	AMLGL7NG6BU
		12,950		117	NEMA 7x6	AMLGL7NG7BU
		17,550	152	115	NEMA 7x7	AMLGL8NG6BU
		16,550		109	NEMA 7x6	AMLGL8NG7BU
	3000K Warm White	7,650	70	109	NEMA 7x7	AMLGL6WG6BU
		7,350		105	NEMA 7x6	AMLGL6WG7BU
11,500		111	104	NEMA 7x7	AMLGL7WG6BU	
11,000			99	NEMA 7x6	AMLGL7WG7BU	
15,000		152	99	NEMA 7x7	AMLGL8WG6BU	
14,500			95	NEMA 7x6	AMLGL8WG7BU	
5000K Cool White		8,300	70	119	NEMA 7x7	AMLGL6CF6BU
		7,900		113	NEMA 7x6	AMLGL6CF7BU
		12,500	111	113	NEMA 7x7	AMLGL7CF6BU
		12,000		108	NEMA 7x6	AMLGL7CF7BU
	16,550	152	109	NEMA 7x7	AMLGL8CF6BU	
	15,550		102	NEMA 7x6	AMLGL8CF7BU	
	4000K Neutral White	7,500	70	107	NEMA 7x7	AMLGL6NF6BU
		7,200		103	NEMA 7x6	AMLGL6NF7BU
		11,350	111	102	NEMA 7x7	AMLGL7NF6BU
		10,950		99	NEMA 7x6	AMLGL7NF7BU
14,500		152	95	NEMA 7x7	AMLGL8NF6BU	
14,000			92	NEMA 7x6	AMLGL8NF7BU	
3000K Warm White		6,400	70	91	NEMA 7x7	AMLGL6WF6BU
		6,200		89	NEMA 7x6	AMLGL6WF7BU
		9,700	111	87	NEMA 7x7	AMLGL7WF6BU
		9,400		85	NEMA 7x6	AMLGL7WF7BU
	12,500	152	82	NEMA 7x7	AMLGL8WF6BU	
	12,000		79	NEMA 7x6	AMLGL8WF7BU	
	5000K Cool White	8,300	70	119	NEMA 7x7	AMLGL6CF6BU
		7,900		113	NEMA 7x6	AMLGL6CF7BU
		12,500	111	113	NEMA 7x7	AMLGL7CF6BU
		12,000		108	NEMA 7x6	AMLGL7CF7BU
		16,550	152	109	NEMA 7x7	AMLGL8CF6BU
		15,550		102	NEMA 7x6	AMLGL8CF7BU
	4000K Neutral White	7,500	70	107	NEMA 7x7	AMLGL6NF6BU
		7,200		103	NEMA 7x6	AMLGL6NF7BU
		11,350	111	102	NEMA 7x7	AMLGL7NF6BU
		10,950		99	NEMA 7x6	AMLGL7NF7BU
14,500		152	95	NEMA 7x7	AMLGL8NF6BU	
14,000			92	NEMA 7x6	AMLGL8NF7BU	
3000K Warm White	6,400	70	91	NEMA 7x7	AMLGL6WF6BU	
	6,200		89	NEMA 7x6	AMLGL6WF7BU	
	9,700	111	87	NEMA 7x7	AMLGL7WF6BU	
	9,400		85	NEMA 7x6	AMLGL7WF7BU	
	12,500	152	82	NEMA 7x7	AMLGL8WF6BU	
	12,000		79	NEMA 7x6	AMLGL8WF7BU	

① All lumen values and wattage typical (tolerance +/- 10%)

② For 347-480 Vac voltage, change **-BU** suffix to **-BH**, example AMLGL1CG6BH.

For 3/4" NPT to M20 metric adapters, add suffix **-M** to end of part number, example AMLGL1CG6BUM.

For Fusing option, add suffix **-F** to end of part number, example AMLGL1CG6BUF.

For 10KV surge protection, add suffix **-S** to end of part number, example AMLGL1CG7BUS.

For both Fusing and 10KV surge, add suffix **-FS** to end of part number, example AMLGL1CG7BUFS.

See catalog numbering guide for certification restrictions.

Areamaster™ Generation 2 and High Lumen LED Luminaire Floodlight for Hazardous Locations

NEC/CEC:

Class I, Division 2, Groups A, B, C, D
Class I, Zone 2 AEx/Ex ec Group IIC Gc
Class II, Division 1 and 2, Groups E, F, G
Class III
Zone 20 and 21 Group IIIC





NEC/CEC:

Zone 21, AEx/Ex tb Group IIIC Db
Simultaneous Exposure
Marine Outside Type (Salt Water) for USA ONLY
Wet Locations
Type 3R, 4, 4X, IP66/67

ATEX/IECEX:

Zone 2, 21, 22
IP66
II 2D 3G
IK10
Ex ec IIC T5

Replacement Drivers

	Voltage	Driver Wattage	Constant Current Setting	Luminaire Model	CCT	Catalog Number	
AMLG							
	BU	100 watt	410mA	AMLGL6C, AMLGL6W	5K and 3K	APMS100C105UD41	
	BH					APMS100C105HD41	
	BU	150 watt	650mA	AMLGL7W	3K	APMS150C105UD65	
	BH					APMS150C105HD65	
	BU	150 watt	680mA	AMLGL7C	5k	APMS150C105UD68	
	BH					APMS150C105HD68	
	BU	150 watt	890mA	AMLGL8W	3K	APMS150C105UD89	
	BH					APMS150C105HD89	
	BU	150 watt	930mA	AMLGL8C	5k	APMS150C105UD93	
	BH					APMS150C105HD93	
	AMLH						
		BU	150 watt	915mA	AMLHL3C	5K	APMS150C105UD91
BH		APMS150C105HD91					
	BU	150 watt	680mA	AMLHL2C	5k	APMS150C105U68	
	BH					APMS150C105HD68	
	BU	150 watt	890mA	AMLHL3W	3K	APMS150C105UD89	
	BH					APMS150C105HD89	
	BU	150 watt	650mA	AMLHL2C	3K	APMS150C105UD65	
	BH					APMS150C105HD65	
	BU	100 watt	530mA	AMLHL1C, AMLHL1W	5K and 3K	APMS100C105UD53	
BH	APMS100C105HD53						

Areamaster Generation 2 Accessory Weights

Description	Weight in kg (lbs)
AMLGL6, AMLGL7, AMLGL8 Luminaires	9.8 (21.6)
AMLHL1, AMLHL2, AMLHL3 Luminaires	16.1 (35.4)
Yoke Bracket	1.41 (3.1)
Visor	0.2 (0.4)
Guard	0.2 (0.4)
Safety Cable	0.2 (0.4)
Crossarm Mounting Bracket GAM8CA	1.4 (3.1)
Pipe or Wall Mount Bracket GAM8WB	2.9 (6.4)
Poletop SlipFitter AMLEDSF1	2.4 (5.3)
Poletop SlipFitter GAM8SF	—

Areamaster™ Generation 2 and High Lumen LED Luminaire Floodlight for Hazardous Locations

NEC/CEC:

Class I, Division 2, Groups A, B, C, D
Class I, Zone 2 AEx/Ex ec Group IIC Gc
Class II, Division 1 and 2, Groups E, F, G
Class III
Zone 20 and 21 Group IIIC

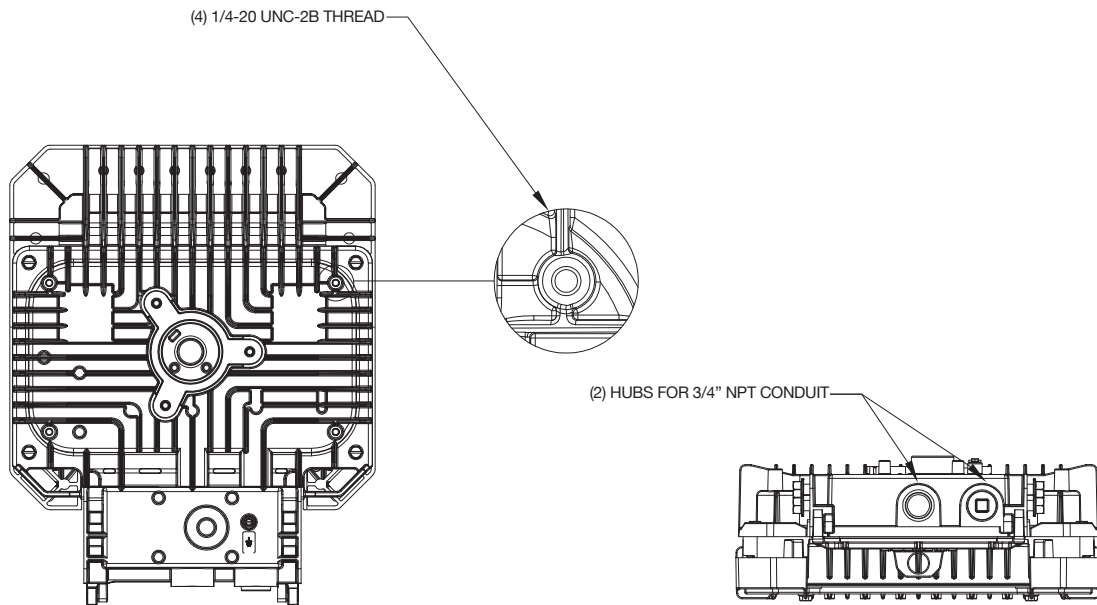
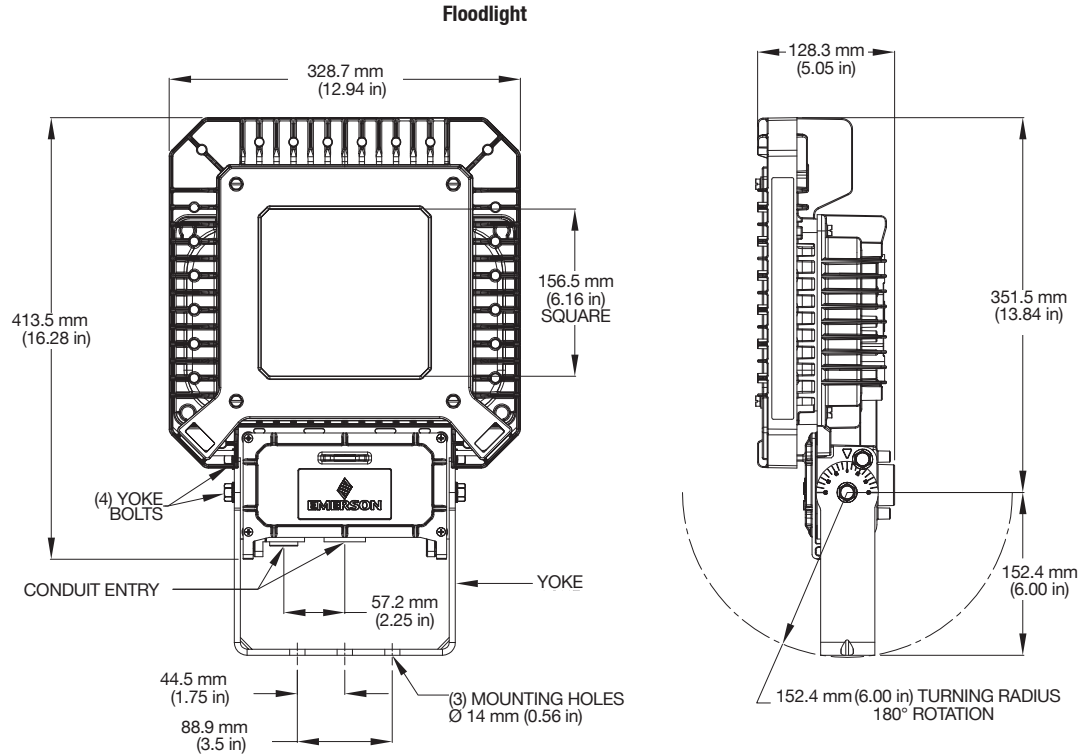
NEC/CEC:

Zone 21, AEx/Ex tb Group IIIC Db
Simultaneous Exposure
Marine Outside Type (Salt Water) for USA ONLY
Wet Locations
Type 3R, 4, 4X, IP66/67

ATEX/IECEX:

Zone 2, 21, 22
IP66
II 2D 3G
IK10
Ex ec IIC T5

AMLGL Dimensions in Millimeters (Inches)



APPLETON™

LED/FLOODLIGHTS: NEC/CEC, ATEX/IECEX ENCLOSED AND GASKETED

Areamaster™ Generation 2 and High Lumen LED Luminaire Floodlight for Hazardous Locations

NEC/CEC:
Class I, Division 2, Groups A, B, C, D
Class I, Zone 2 AEx/Ex ec Group IIC Gc
Class II, Division 1 and 2, Groups E, F, G
Class III
Zone 20 and 21 Group IIIC

NEC/CEC:
Zone 21, AEx/Ex tb Group IIIC Db
Simultaneous Exposure
Marine Outside Type (Salt Water) for USA ONLY
Wet Locations
Type 3R, 4, 4X, IP66/67

ATEX/IECEX:
Zone 2, 21, 22
IP66
II 2D 3G
IK10
Ex ec IIC T5

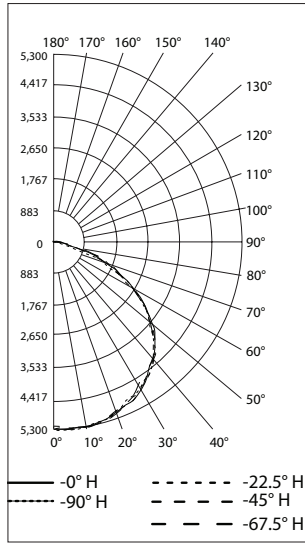
Photometric Data — DATA SHOWN IS ABSOLUTE

NEMA 7x7, Clear Glass

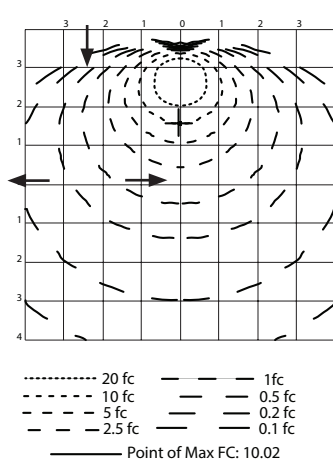
REPORT NUMBER: AMLGL7CG6BU

Luminaire Lumens 15,320

POLAR CANDELA DISTRIBUTION



ISOFOOT CANDLE PLOT AT 45°



FLOOD SUMMARY

	Efficiency	Lumens	Horizontal Spread	Vertical Spread
Field (10%)	98.5%	15,102.6	151.2	147
Beam (50%)	81.9%	12,555.7	117	115.4
Total	100%	15,320.4		

Tilt Angle— 45 Degree LLF—0.9

Mounting Height m (ft)	Maximum Point (fc)	Forward Throw Distance			
		0.5fc/5lx m (ft)	1fc/11lx m (ft)	2fc/22lx m (ft)	5fc/54lx m (ft)
6 (20)	4.42	15 (50)	12 (39)	9 (29)	5 (16)
9 (30)	1.97	17 (55)	13 (43)	8 (25)	—
12 (40)	1.11	17 (57)	12 (40)	6 (19)	—

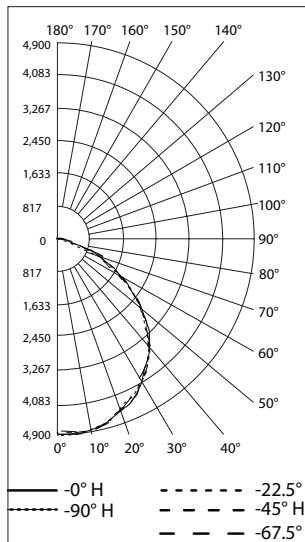
Mounting Height m (ft)	Side-to-Side Distance			
	0.5fc/5lx m (ft)	1fc/11lx m (ft)	2fc/22lx m (ft)	5fc/54lx m (ft)
6 (20)	21 (70)	56 (17)	12 (40)	6 (20)
9 (30)	24 (80)	58 (18)	12 (38)	—
12 (40)	24 (80)	50 (15)	5 (16)	—

NEMA 7x7, Frosted Glass

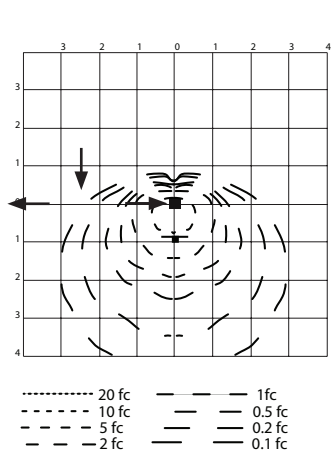
REPORT NUMBER: AMLGL7CF6BU

Luminaire Lumens 12,782

POLAR CANDELA DISTRIBUTION



ISOFOOT CANDLE PLOT AT 45°



FLOOD SUMMARY

	Efficiency	Lumens	Horizontal Spread	Vertical Spread
Field (10%)	98.1%	12,536.1	155.4	150.7
Beam (50%)	71.3%	9,112.8	105.4	105.6
Total	100%	12,777.9		

Tilt Angle— 45 Degree LLF—0.9

Mounting Height m (ft)	Maximum Point (fc)	Forward Throw Distance			
		0.5fc/5lx m (ft)	1fc/11lx m (ft)	2fc/22lx m (ft)	5fc/54lx m (ft)
6 (20)	2.91	18 (59)	14 (45)	11 (35)	7 (22)
9 (30)	1.29	19 (63)	16 (51)	10 (33)	4 (12)
12 (40)	0.73	21 (70)	15 (50)	9 (30)	—

Mounting Height m (ft)	Side-to-Side Distance			
	0.5fc/5lx m (ft)	1fc/11lx m (ft)	2fc/22lx m (ft)	5fc/54lx m (ft)
6 (20)	26 (84)	21 (70)	16 (52)	10 (32)
9 (30)	29 (96)	22 (72)	16 (54)	5 (15)
12 (40)	32 (104)	22 (72)	15 (48)	—