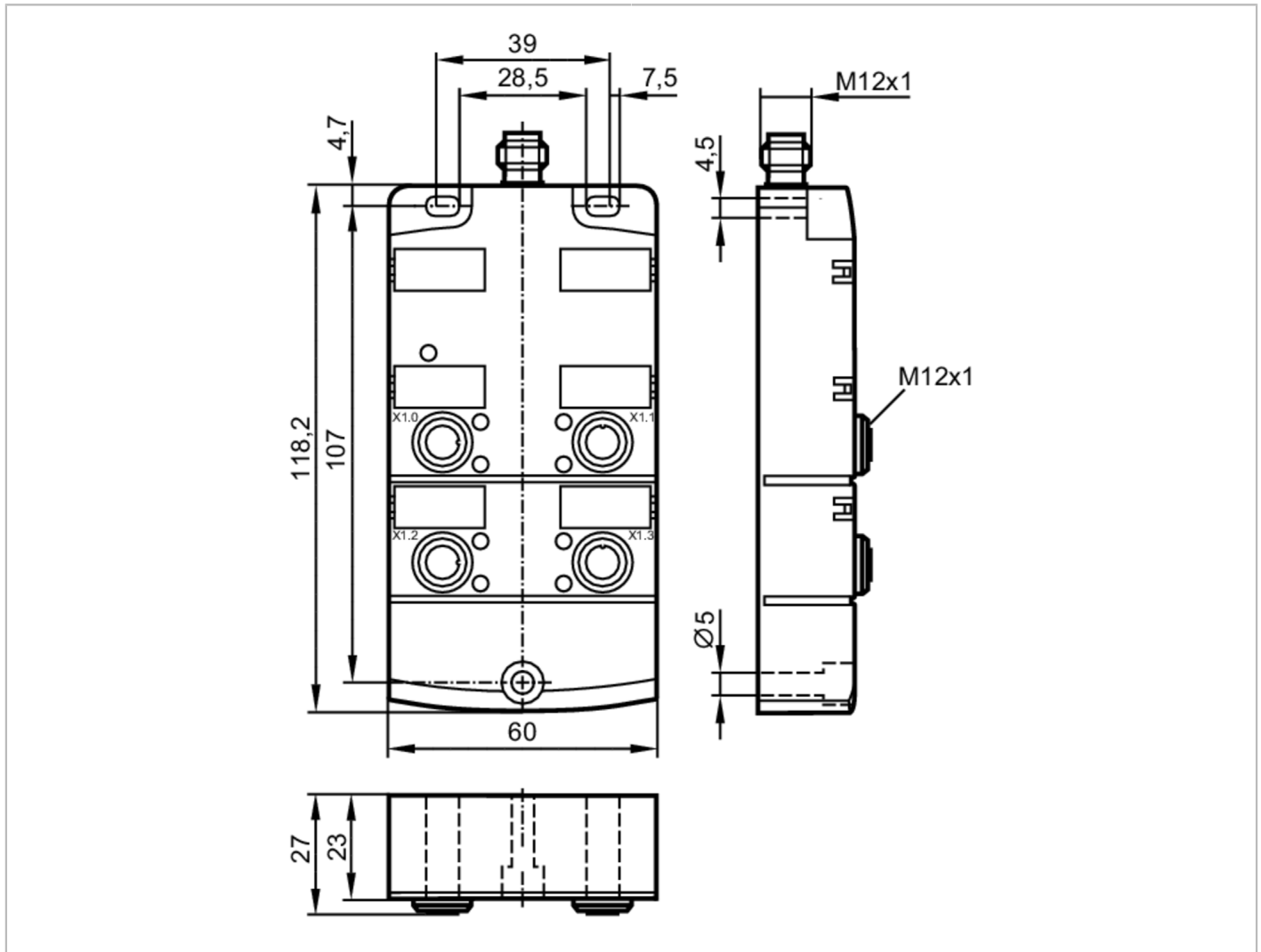


# AL2400



## IO-Link CompactLine module

IO-Link module 4 x 2 DI IP 67



Electrical data	
Operating voltage	[V] 18...30 DC; ("supply class 2" to cULus)
Current consumption	[mA] < 50
Sensor supply US	
Current rating per port	[A] 0.1
Inputs / outputs	
Number of inputs and outputs	Number of digital inputs: 8
Inputs	
Number of digital inputs	8; (4 x 2)
Input circuit of digital inputs	PNP
Sensor supply of the inputs	IO-Link
Input current limitation	[mA] 15
Input current High	[mA] 6...10
Input current Low	[mA] 0...2
Switching level high	[V] > 11

# AL2400



## IO-Link CompactLine module

IO-Link module 4 x 2 DI IP 67

Digital inputs protected against short circuits	yes
-------------------------------------------------	-----

### Interfaces

Communication interface	IO-Link	
Supported DeviceIDs	Type of operation	DeviceID
	Default	554

### IO-Link Device

Transmission type	COM2 (38,4 kBaud)
IO-Link revision	1.1
SDCI standard	IEC 61131-9
SIO mode	no
Process data analogue	1
Process data binary	12
Min. process cycle time [ms]	2.9

### Operating conditions

Ambient temperature [°C]	-25...70	
Protection	IP 67	
Protection rating (NEMA 250)	6P	
Chemical media	ISO 16750-5	AA, BA, BD, HLP, CC, DB, DC, DD, CA
	NEMA 250 5.13.1	AA

### Tests / approvals

EMC	EN 61000-6-2	
	EN 61000-6-3	
	IEC 61131-9	

### Mechanical data

Weight [g]	300	
Materials	PA; socket: brass nickel-plated; O-ring: FKM	
Sealing material	FKM	

### Displays / operating elements

Display	operation	LED, green
	errors	LED, red
	function	LED, yellow

### Accessories

Accessories (optional)	Stainless steel sleeve, for installation in case of high mechanical stress , E70402
------------------------	-------------------------------------------------------------------------------------

### Remarks

Remarks	For use in NFPA 79 applications only
	The device is to be operated to IO-Link specification V1.1.2.
	The maximum cable length of the IO-Link cable is 20 m.
Pack quantity	1 pcs.

# AL2400



## IO-Link CompactLine module

IO-Link module 4 x 2 DI IP 67

### Electrical connection - IO-Link

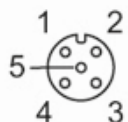
Connector: M12; coding: A



1	UB +
2	not used
3	UB -
4	IO-Link

### Electrical connection - Process connection

Connector: M12; coding: A; Sealing: FKM



1	Inputs X1.0...X1.3
2	Sensor supply +24 V
3	IN 2
4	Sensor supply 0 V
5	IN 1
5	not used