

6. Directional Valves

Type	Series	Cetop	Maximum Flow (GPM)	Maximum Pressure (PSI)	Electrical	Cam	Manual	Hydraulic	Pneumatic	Page
Direct Operated	A4D01	03	21	5000	●	○	○	○	○	6 - 4
	A4D02	05	37	4500	●	○	○		○	
Pilot Operated	A4D03	07	79	5000	●		○	○		6 - 8
	A4D06	08	185	5000	●		○	○		
	A3D10	10	210	5000	●		○	○		Consult Denison

● : Standard

○ : Option. Consult Denison Hydraulics.

Spool Types & Symbols (additional spool available : consult Denison Hydraulics)			A4D01	A4D02	A4D03	A4D06
01			●	●	●	●
02			○	○	●	●
03			●	●	●	●
07			●	●	●	●
08			●	●	●	●
09			○	○	●	●
10			○	○	●	●
46			●	●	○	○
64			●			
11			●	●	●	●
12			●	●		
51			●	●	●	●
55			○	○	●	●
56			○	○	●	●

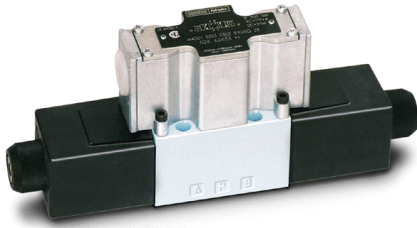
● : Standard
○ : Option. Consult technical literature.

Directional Valves - Standard Spools & Functional Limits (GPM)

Spool	Coil Type	A4D01						A4D02						A4D03 ^{1,2)}						A4D06 ^{1,2)}					
		0	1000	2000	3000	4000	5000	0	1000	2000	3000	4000	4500	0	1000	2000	3000	4000	5000	0	1000	2000	3000	4000	5000
		PSI	PSI	PSI	PSI	PSI	PSI	PSI	PSI	PSI	PSI	PSI	PSI	PSI	PSI	PSI	PSI	PSI	PSI	PSI	PSI	PSI	PSI	PSI	PSI
01	AC	16	16	16	16	16	16	37	37	29	21	13	11	79	79	79	79	79	79	185	185	185	185	180	159
	DC	13	13	13	13	13	13	37	37	37	36	28	26	79	79	79	79	79	79	185	185	185	185	180	159
02	AC	18	18	18	18	16	13	37	37	37	37	22	21	79	79	79	79	79	79	185	185	185	185	185	185
	DC	21	21	21	21	16	15	37	37	37	37	28	26	79	79	79	79	79	79	185	185	185	185	185	185
03	AC	16	16	16	16	16	16	32	32	32	29	18	16	79	79	79	79	79	79	185	185	177	156	135	114
	DC	21	21	21	21	21	21	37	37	37	37	22	21	79	79	79	79	79	79	185	185	177	156	135	114
07	AC	11	11	11	11	11	11	32	32	21	16	12	11	79	79	79	74	61	48	185	185	185	74	61	48
	DC	8	8	8	8	8	8	32	32	32	21	17	16	79	79	79	74	61	48	185	185	185	74	61	48
08	AC	16	16	16	16	16	16	37	37	37	24	15	13	79	79	79	79	79	79	185	185	185	185	185	185
	DC	21	21	21	21	13	9	37	37	37	37	22	21	79	79	79	79	79	79	185	185	185	185	185	185
09	AC	18	18	18	18	18	18	37	37	37	18	12	11	79	79	79	79	79	79	185	185	185	185	185	185
	DC	21	21	21	18	8	5	37	37	37	37	28	26	79	79	79	79	79	79	185	185	185	185	185	185
10	AC	18	18	18	18	18	18	37	37	37	18	12	11	79	79	79	79	79	79	185	185	185	185	185	185
	DC	21	21	21	18	8	5	37	37	37	37	28	26	79	79	79	79	79	79	185	185	185	185	185	185
46	AC	21	21	17	16	16	16	37	37	37	37	37	37	79	79	79	79	79	79	185	185	185	185	185	185
	DC	16	16	16	16	16	16	37	37	37	37	37	37	79	79	79	79	79	79	185	185	185	185	185	185
64	AC	11	11	11	11	11	11																		
	DC	8	8	8	8	8	8																		
11 ²⁾	AC	21	21	21	21	21	21	37	37	29	21	13	11	79	79	79	79	53	50	185	185	185	166	136	106
	DC	18	18	18	18	18	18	37	37	32	28	26	26	79	79	79	79	53	50	185	185	185	166	136	106
12	AC	21	21	21	3	2	2	32	32	16	9	7	5												
	DC	21	21	5	3	2	2	37	37	37	16	9	8												
51 ²⁾	AC	16	16	16	16	16	16	37	37	37	37	37	37	79	79	53	45	42	26	185	185	164	127	90	53
	DC	18	18	18	18	18	18	26	26	26	26	26	26	79	79	53	45	42	26	185	185	164	127	90	53
55	AC	21	21	21	21	18	16	37	37	37	12	11	11	79	79	79	79	79	79	185	185	185	185	185	185
	DC	21	21	21	21	16	15	37	37	37	26	17	16	79	79	79	79	79	79	185	185	185	185	185	185
56	AC	21	21	21	21	18	16	37	37	37	12	11	11	79	79	79	79	79	79	185	185	185	185	185	185
	DC	21	21	21	21	16	15	37	37	37	26	17	16	79	79	79	79	79	79	185	185	185	185	185	185

¹⁾ Flow P-A, B-T or P-B, A-T.

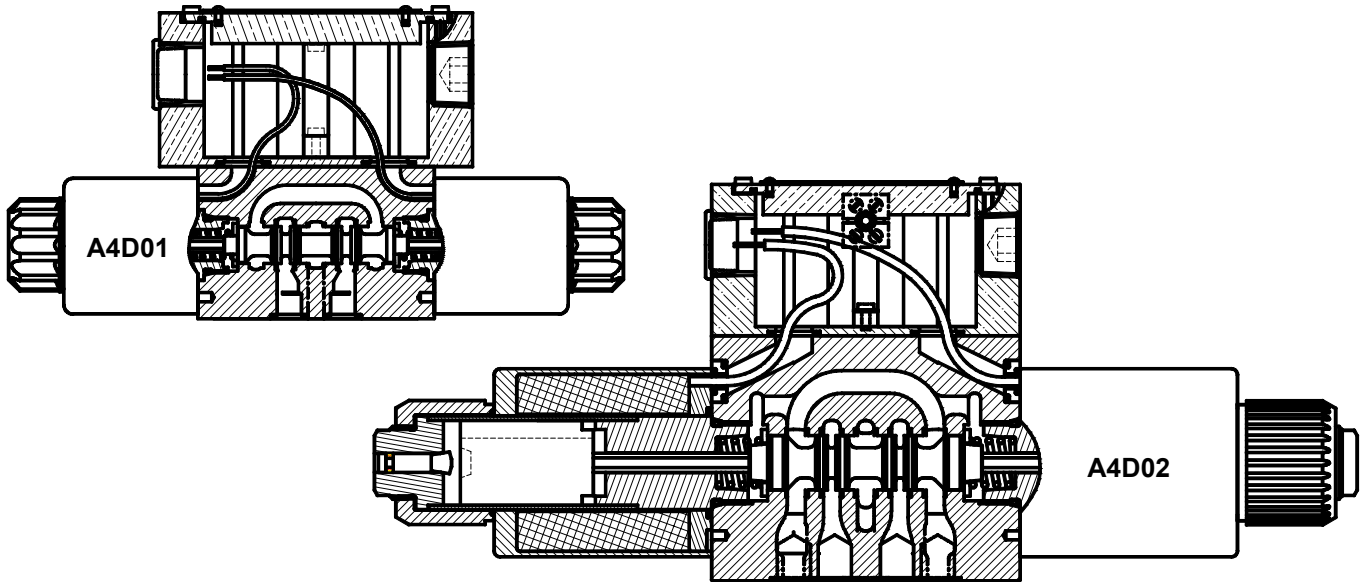
²⁾ Maximum flow indicated for A4D03 and A4D06 are for fail-safe limits. Maximum flow without this limitation is respectively 79 and 185 GPM.



(A4D01)

Direct Operated Directional Valves

A4D01 Series (CETOP 3) - 21 GPM - 5000 PSI
 A4D02 Series (CETOP 5) - 37 GPM - 4500 PSI



Key sheet Example : **A4D01-3201-0302-B1-G0R-G3**

1. **A4D01-3201-0302-B1-G0R-G3** Series

Direct operated, CETOP 3 - NG6	A4D01
Direct operated, CETOP 5 - NG10	A4D02

2. **A4D01-3201-0302-B1-G0R-G3** Body

Standard	A4D01 & A4D02	3
Special	A4D01 Spool 56, 57	F
	A4D02 Spool 12, 72 AC coil	M
	A4D02 Spool 07, 64, 65 AC & DC coils	
	G3 soft shift option DC coil	D

3. **A4D01-3201-0302-B1-G0R-G3** Control

1 solenoid	Standard	1
2 solenoids	Standard	2
	2 position detent	7
Others (hydraulic, lever,...)		Denison

4. **A4D01-3201-0302-B1-G0R-G3** Spool

5. **A4D01-3201-0302-B1-G0R-G3** Spool Position

6. **A4D01-3201-0302-B1-G0R-G3** End cap

7. **A4D01-3201-0302-B1-G0R-G3** Design

8. **A4D01-3201-0302-B1-G0R-G3** Seal Class

Buna N : Mineral oil	1
Viton : Mineral oil & Fire resistant fluids	5

9. **A4D01-3201-0302-B1-G0R-G3** Voltage

DC		AC	
12 V	GOR	115 V	60 Hz (50 Hz) W01 (W02)
24 V	GOQ	230 V	60 Hz (50 Hz) W06 (W07)
Others	Denison	Others	Denison

10. **A4D01-3201-0302-B1-G0R-G3** Options

		A4D01	A4D02
DIN Connector	Standard	<i>Omit</i>	
	Soft shift (DC only)	G3	
Wiring Box	6" flying leads	28	
	+ terminal strip	81	79
.03"/.04"/.05" in orifice in P		08 / 10 / 12	
Others		Denison Hydraulics	

Type	Standard (<250 V)	Red LED (15-30 VDC)	With Rectifier (<250 V)
Gray / Black	167-01007-8 / 167-01008-8	167-01100-8 / 167-01101-8	167-01076-8 / 167-01014-8

