

# Product data sheet

Specifications

SQUARE D

Green Premium™



## Industrial control transformer, Type T, 1 phase, 150VA, 240x480V primary, 24V secondary, 50/60Hz

9070T150D2

Product availability : Stock - Normally stocked in distribution facility

Price\* : 276.00 USD

### Main

Product Type	Industrial Control Transformer
Power Rating	150 VA
Type	T

### Complementary

Number of Phases	1 phase
	150 VA
Temperature Rise	55 °C
Electrical Connection	Screw clamp terminals
Height	3.2 in (81.28 mm)
Width	3.75 in (95.25 mm)
Depth	3.59 in (91.19 mm)
Material	Copper winding
Fingersafe Cover Compatibility	FSC1

### Environment

Certifications	CSA file LR37055 guide 184-N-90 UL listed file E61239
Enclosure Type	Not rated (open device)
Insulation Temperature	221 °F (105 °C)

### Ordering and shipping details

Category	16200-9070 T (NOT TF) 50-200VA
Discount Schedule	CP8
GTIN	785901905080
Number of Units in Package 1	1
Package 1 Weight	5.43 lb(US) (2.463 kg)
Returnability	Yes
Country of origin	MX

\* Price is "List Price" and may be subject to a trade discount – check with your local distributor or retailer for actual price.

## Packing Units

Unit Type of Package 1	PCE
Package 1 Height	3.25 in (8.255 cm)
Package 1 Width	3.60 in (9.144 cm)
Package 1 Length	3.75 in (9.525 cm)
Unit Type of Package 2	PAL
Number of Units in Package 2	450
Package 2 Weight	2444.00 lb(US) (1108.579 kg)
Package 2 Height	40.00 in (101.6 cm)
Package 2 Width	40.00 in (101.6 cm)
Package 2 Length	48.00 in (121.92 cm)

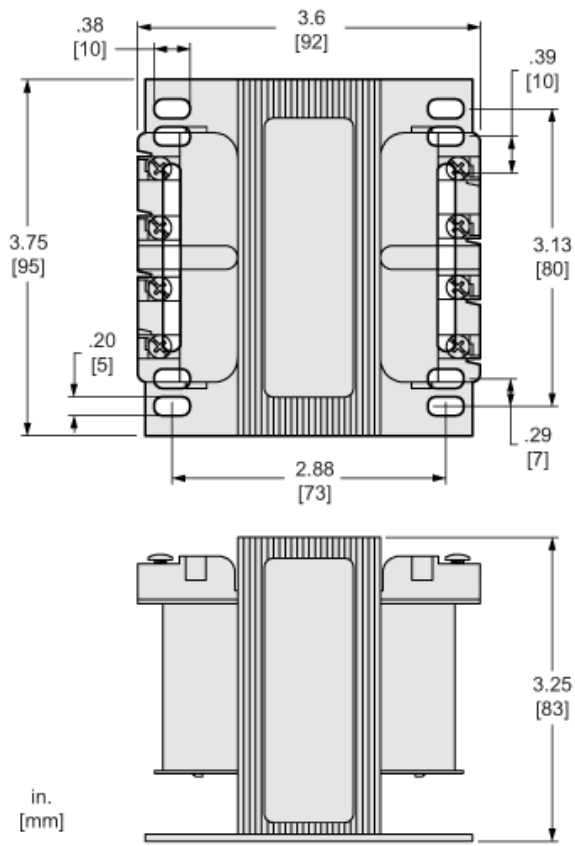
## Offer Sustainability

Sustainable offer status	Green Premium product
California proposition 65	WARNING: This product can expose you to chemicals including: Phenyl glycidyl ether, which is known to the State of California to cause cancer and birth defects or other reproductive harm. For more information go to <a href="http://www.P65Warnings.ca.gov">www.P65Warnings.ca.gov</a>
REACH Regulation	<a href="#">REACH Declaration</a>
EU RoHS Directive	Compliant <a href="#">EU RoHS Declaration</a>
Mercury free	Yes
RoHS exemption information	<a href="#">Yes</a>
China RoHS Regulation	<a href="#">China RoHS declaration</a> Product out of China RoHS scope. Substance declaration for your information.
Environmental Disclosure	<a href="#">Product Environmental Profile</a>
PVC free	Yes

## Contractual warranty

Warranty	10 Years
----------	----------

Approximate Dimensions



**Connections and Wiring Diagrams**

**Voltage and Connection Options**

Voltage Code	Voltages		Connections	
	Primary	Secondary	Primary	Secondary
D2	240 x 480	24	240: Connect to H1 and H4 Jumper H1 with H3 Jumper H2 with H4 480: Connect to H1 and H4 Jumper H2 with H3	Connect to X1 and X2
D23	120 x 240	24	120: Connect to H1 and H4 Jumper H1 with H3 Jumper H2 with H4 240: Connect to H1 and H4 Jumper H2 with H3	
D89	115 x 230	24	115: Connect to H1 and H4 Jumper H1 with H3 Jumper H2 with H4 230: Connect to H1 and H4 Jumper H2 with H3	
D92	230 x 460	24	230: Connect to H1 and H4 Jumper H1 with H3 Jumper H2 with H4 460: Connect to H1 and H4 Jumper H2 with H3	

