

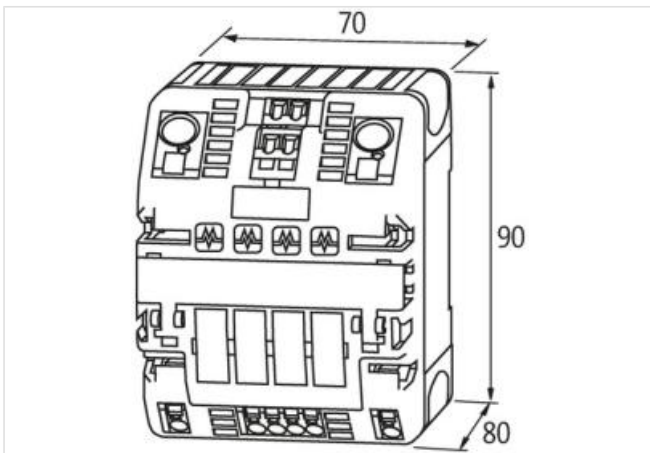
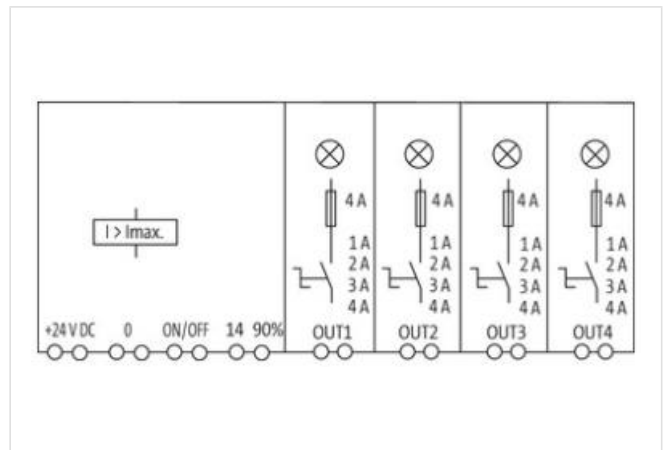
MICO+ 4.4 electronic circuit protection, 4 CHANNELS

IN: 24 V DC OUT: 24 V / 1-2-3-4 A

MICO+ 4.4

4 channels

Current adjustment 1, 2, 3, 4 A

[Link to Product](#)**Illustration**

Product may differ from Image

**General data**

Mounting method	DIN-rail mountable TH35 (EN 60715)
Temperature range	0...+55 °C (storage temperature -40...+80 °C)
Connection	Spring clamp terminals
Dimensions H×W×D	90×70×80 mm
Bridging concept	two sides, with spring clamp terminals or bridge set (max. 40 A)
Output terminals	per output 2× 1.5 mm ²
Input terminals	2× 16 mm ²

The information in this brochure has been compiled with the utmost care.

Liability for the correctness completeness and topicality of the information is restricted to gross negligence. Version: 2023-03-22

Murrelektronik GmbH | Falkenstr. 3 | 71570 Oppenweiler | Fon +49 (71 91) 47-0 | Fax +49 (71 91) 47-491000 | shop@murrelektronik.com | shop.murrelektronik.com

Alarm terminals 2.5 mm²

Output

Inrush capacity max. 20 mF (per channel)

Current adjustment 1 A, 2 A, 3 A, 4 A, by countersunked rotary switch, sealed

Input

Operating voltage 24 V DC (18...30 V DC)

Control inputs

Input voltage (ON) 10...30 V DC

Impulse length (ON) min. 20 ms

Remote start (OFF) 10...30 V DC

Control outputs

Early warning (90%) max. 20 mA; high: one channel over 90%; low: all channels under 90%

Group alarm output max. 20 mA; high: all channels ON; low: not all channels ON

Product article number of manufacturer 9000-41084-0100400