

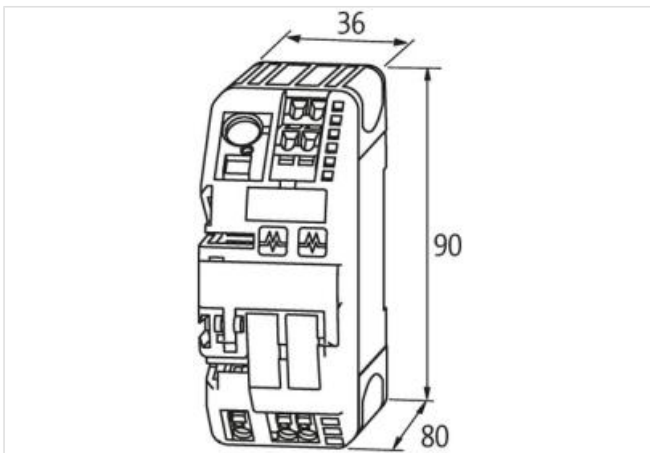
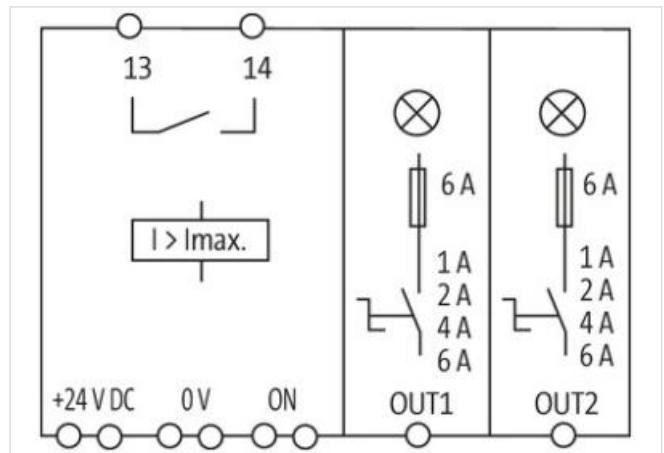
MICO electronic circuit protection, 2 CHANNELS

IN: 24 V DC OUT: 24 V DC / 1-2-4-6 A

MICO 2.6

2 channels

Current adjustment 1, 2, 4, 6 A

[Link to Product](#)**Illustration**

Product may differ from Image

**General data**

Mounting method	DIN-rail mountable TH35 (EN 60715)
Temperature range	0...+55 °C (storage temperature -40...+80 °C)
Connection	Spring clamp terminals
Dimensions H×W×D	90×36×80 mm
Bridging concept	one side, with spring clamp terminals or bridge set (max. 40 A)
Output terminals	per output 1 × 4 mm ²
Input terminals	1 × 16 mm ²

The information in this brochure has been compiled with the utmost care.

Liability for the correctness completeness and topicality of the information is restricted to gross negligence. Version: 2023-03-22

Murrelektronik GmbH | Falkenstr. 3 | 71570 Oppenweiler | Fon +49 (71 91) 47-0 | Fax +49 (71 91) 47-491000 | shop@murrelektronik.com | shop.murrelektronik.com

Alarm terminals	2.5 mm ²
Output	
Inrush capacity	max. 20 mF (per channel)
Current adjustment	1 A, 2 A, 4 A, 6 A, by countersunk rotary switch, sealed
Input	
Operating voltage	24 V DC (18...30 V DC)
Control inputs	
Input voltage (ON)	10...30 V DC
Impulse length (ON)	min. 20 ms
Control outputs	
Group alarm output	potential free 30 V AC/DC, 100 mA
Product article number of manufacturer	9000-41042-0100600