

## Product Overview

Allen-Bradley® passive connectivity components create a complete plug-and-play solution that simplifies and consolidates wiring while providing secure connections for proximity sensors, limit switches, photoelectric sensors, and other field devices. Available components include:

<ul style="list-style-type: none"> <li>Cordsets (connector at one end, leads on the other)</li> <li>Patchcords (connectors at each end)</li> <li>Field-attachable connectors</li> <li>Panel-mount receptacles</li> <li>Distribution boxes</li> <li>V- and Y-cables</li> <li>Splitters and tees</li> <li>Raw cable spools</li> </ul>	<p>Connectivity styles:</p> <ul style="list-style-type: none"> <li>DC Micro (M12), 2-, 3-, 4-, 5-, and 8-pin</li> <li>AC Micro (1/2 in.), 3-, 4-, 5-, and 6-pin</li> <li>Mini (7/8 in.), 2-, 3-, 4-, 5-, and 6-pin</li> <li>Mini Plus 7-, 8-, 9-, 10-, and 12-pin</li> <li>EAC Micro</li> <li>Pico™ 3- and 4-pin</li> <li>M23</li> <li>DIN Valve</li> </ul>
---	---

Various cable jacket materials and flex ratings for a wide range of applications and environments:

Cable Type	General Positioning	Sample Cat. No.
PVC	Cost-effective, general-purpose cable	889D-F4AC-2
PUR	Well suited for oil-based solutions and flex applications	889D-F4UC-2
TPE	All around automotive solution (weld, flex, fluids)	889D-F4HJ-2
ToughLink™	Heavy-duty construction for the most rugged environments	889D-F4HC-2
ToughWeld™	Best suited for weld slag resistance	889D-F4WE-2

## Application Considerations

**IMPORTANT** For application layout examples, see publication [CONEC-BRO01](#).

### Positioning Tables

Application	PVC	PUR	TPE	ToughLink	ToughWeld
Environment	A	U	HJ	HC	WE
Flex-rated	–	✓	✓	✓	–
Aggressive welding environments (non-flexing)	–	–	–	–	✓
Aggressive coolants/fluids, machining – no flexing	–	–	–	✓	–
Machining robots, oil-based cutting fluid	–	✓	–	–	–
Welding robots, machining, general use within automotive plant	–	–	✓	–	–
Cold temperature and freezer applications [down to -40 °C (-40 °F)]	–	✓	–	✓	–
Relative cost	Low	Moderate	Moderate	High	Higher

## Application Compatibility

Table 1 - General Properties

	PVC	PUR	TPE	ToughLink	ToughWeld
Weld slag resistance	F	F	G-E	F	F
Subzero temperature flexibility	F	G-E	G	E	F-G
Constant bend and flex	F	E	E	F-G	F
Abrasion resistance	G	E	G	G	G
Ozone resistance	E	E	E	E	E
Sunlight and weathering	E	G	G	G	E

P = Poor, F = Fair, G = Good, E = Excellent

Table 2 - General Chemicals

	PVC	PUR	TPE	ToughLink	ToughWeld
Alcohols	E	G	E	E	E
Acids—mild diluted (less than 3% concentration)	E	G	E	E	E
Acids—strong (up to 50% concentration)	E	P-F	E	G	E
Alkalis—mild diluted (less than 3% concentration)	E	G	E	E	E
Alkalis—strong (up to 50% concentration)	E	P-F	E	G	E
Bleach	E	P-F	E	E	E
Oils, greases	G-E	E	E	G-E	E
Solvents, volatile (acetone, toluene, MEK)	P-F	P-F	P-F	P-F	P-G
Solvent oils (distilled mineral oils C5-C20, citrus oil)	P-F	G	P-F	P-F	G
Water (submerged)	E	G	E	E	E

P = Poor, F = Fair, G = Good, E = Excellent

Table 3 - By Industry

	PVC	PUR	TPE	ToughLink	ToughWeld
<b>Metalworking Oils/Coolants</b>					
Diluted with water	G	G	E	G	E
Waterless, oil-based	G	E	E	G	E
<b>Food and Beverage</b>					
Food/beverage industry soils (oils, fats, fruits, juices, vegetables, dairy, tomatoes, wine, vinegar)	G	G	E	G	E
Food/beverage industry chemicals (chlorinated alkaline cleaners, acidic mineral cleaners, detergents, sanitizers, convey, or lubricants)	E	G	E	E	E
<b>Automotive Fluids</b>					
Antifreeze (ethylene glycol)	E	G	E	G	E
Fuels (gasoline, diesel, kerosene)	G	E	G	G	G
Motor, transmission (ATF), axle oils, power steering fluid	G	E	E	G	E
Brake fluids (many different types available)	P-G	P-G	P-G	P-G	P-G

P = Poor, F = Fair, G = Good, E = Excellent

## Mini Style 16 AWG, ST00W PVC



4-pin Straight Mini Cordset

### Specifications

Attribute	Value
Certifications	UL Recognized and CSA Certified
<b>Mechanical</b>	
Coupling nut material	Epoxy-coated zinc
Housing material	Molded oil-resistant TPE
Contact material	Gold-plated palladium/nickel
Cable type	Oil-resistant yellow PVC jacket, 16 AWG stranded copper, 600V; UL Recognized and CSA Certified, ST00W-A
Bend radius	10x diameter
Cable diameter [mm (in.)]	<ul style="list-style-type: none"> <li>• 2/c = 10 (0.40)</li> <li>• 3/c = 10 (0.40)</li> <li>• 4/c = 11 (0.43)</li> <li>• 5/c = 13 (0.51)</li> <li>• 6/c = 14 (0.55)</li> </ul>
<b>Electrical</b>	
Cable rating	UL ST00W VW-1 105C 600V, CSA ST 105C 600V FT2 UV-, oil-, and water-resistant
Assembly rating	<ul style="list-style-type: none"> <li>• 2-pin = 600V, 13 A</li> <li>• 3-pin = 600V, 13 A</li> <li>• 4-pin = 600V, 10 A</li> <li>• 5-pin = 600V, 8 A</li> <li>• 6-pin = 600V, 8 A</li> </ul>
<b>Environmental</b>	
Enclosure type rating	NEMA 4, 6P, 12, 13; IP67; 1200 psi washdown, IP69K
Temperature rating	-20...+105 °C (-4...+221 °F)

### Mating Components and Accessories

Description	Cat. No.
Coupling adapters	889A-NADPT

## Product Selection

### Cordsets

No. of Pins	Assembly Rating	Color Code <sup>(1)</sup>	Cat. No. <sup>(2)</sup>			
			Straight Socket	Right-angle Socket	Straight Plug	Right-angle Plug
2-pin	600V, 13 A	A	889N-F2AFC-6F	889N-R2AFC-6F	889N-U2AFC-6F	889N-V2AFC-6F
3-pin		A	889N-F3AFC-6F	889N-R3AFC-6F	889N-U3AFC-6F	889N-V3AFC-6F
4-pin	600V, 10 A	B	889N-F3AFA-6F	889N-R3AFA-6F	889N-U3AFA-6F	889N-V3AFA-6F
		A	889N-F4AFC-6F	889N-R4AFC-6F	889N-U4AFC-6F	889N-V4AFC-6F
		B	889N-F4AFA-6F	889N-R4AFA-6F	889N-U4AFA-6F	889N-V4AFA-6F
5-pin	600V, 8 A	C	889N-F4AF-6F	889N-R4AF-6F	889N-U4AF-6F	889N-V4AF-6F
		A	889N-F5AFC-6F	889N-R5AFC-6F	889N-U5AFC-6F	889N-V5AFC-6F
		B	889N-F5AFA-6F	889N-R5AFA-6F	889N-U5AFA-6F	889N-V5AFA-6F
6-pin	600V, 8 A	C	889N-F5AF-6F	889N-R5AF-6F	889N-U5AF-6F	889N-V5AF-6F
		A	889N-F6AFC-6F	889N-R6AFC-6F	889N-U6AFC-6F	889N-V6AFC-6F
		C	889N-F6AF-6F	889N-R6AF-6F	889N-U6AF-6F	889N-V6AF-6F

(1) See [Pinout and Color Code on page 4](#).

(2) The 6F at the end of the catalog number is for 6 ft (1.8 m) cable length. Replace the 6 with 12 (12 ft [3.7 m]), or 20 (20 ft [6.1 m]) for other standard cable lengths.

### Patchcords

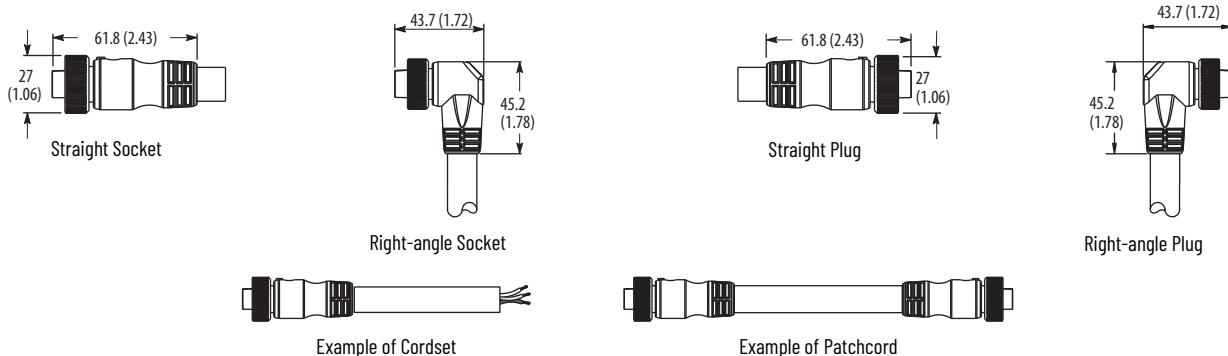
No. of Pins	Assembly Rating	Cat. No. <sup>(1)</sup>			
		Straight Socket Straight Plug	Straight Socket Right-angle Plug	Right-angle Socket Straight Plug	Right-angle Socket Right-angle Plug
2-pin	600V, 13 A	889N-F2AFNU-6F	889N-F2AFNV-6F	889N-R2AFNU-6F	889N-R2AFNV-6F
3-pin	600V, 13 A	889N-F3AFNU-6F	889N-F3AFNV-6F	889N-R3AFNU-6F	889N-R2AFNV-6F
4-pin	600V, 10 A	889N-F4AFNU-6F	889N-F4AFNV-6F	889N-R4AFNU-6F	889N-R2AFNV-6F
5-pin	600V, 8 A	889N-F5AFNU-6F	889N-F5AFNV-6F	889N-R5AFNU-6F	889N-R5AFNV-6F
6-pin	600V, 8 A	889N-F6AFNU-6F	889N-F6AFNV-6F	889N-R6AFNU-6F	889N-R6AFNV-6F

(1) The 6F at the end of the catalog number is for 6 ft (1.8 m) cable length. Replace the 6 with 12 (12 ft [3.7 m]), or 20 (20 ft [6.1 m]) for other standard cable lengths.

**IMPORTANT** Stainless-steel connectors can be ordered by adding an S to the catalog number (for example, 889NS-F3AFC-6F).

### Approximate Dimensions

Dimensions are shown in mm (in.). Dimensions are not intended to be used for manufacturing purposes.



### Pinout and Color Code

Color Code	Face View Pinout									
	2-pin		3-pin		4-pin		5-pin		6-pin	
	Socket	Plug	Socket	Plug	Socket	Plug	Socket	Plug	Socket	Plug
A (US)	1 White 2 Black		1 Green 2 Black 3 White		1 Black 2 White	3 Red 4 Green	1 White 2 Red 3 Green	4 Orange 5 Black	1 White 2 Red 3 Green	4 Orange 5 Black 6 Blue
B (Auto)	—		1 Green 2 Red/Black Tr 3 Red/White Tr		1 Red/Black Tr 2 Red/White Tr	3 Red 4 Green	1 Red/White Tr 2 Red 3 Green 4 Red/Yellow Tr 5 Red/Black Tr		—	
C (IEC)	—		—		1 Black 2 Blue	3 Brown 4 White	1 Black 2 Blue 3 Orange	4 Brown 5 White	1 Blue 2 Orange 3 Red	4 White 5 Brown 6 Black

## Mini Style 18 AWG, PVC



4-pin Straight Mini Cordset

## Specifications

Attribute	Value
Certifications	UL Recognized and CSA Certified
Coupling nut material	Epoxy-coated zinc
Housing material	Molded oil-resistant TPE
Contact material	Gold-plated palladium/nickel
Cable type	Oil-resistant yellow PVC jacket, 18 AWG stranded copper, 300V; UL Recognized and CSA Certified
Bend radius	10x diameter
Cable diameter [mm (in.)]	<ul style="list-style-type: none"> <li>• 2/c = 6 (0.24)</li> <li>• 3/c = 6 (0.25)</li> <li>• 4/c = 7 (0.27)</li> <li>• 5/c = 8 (0.31)</li> <li>• 6/c = 8 (0.32)</li> </ul>
<b>Electrical</b>	
Cable rating	UL AWM style 2661 VW-1 105C 300V, CSA AWM A/B I/II 80C 300V FT1; UV-, oil-, and water-resistant
Assembly rating	<ul style="list-style-type: none"> <li>• 2-pin = 300V, 10 A</li> <li>• 3-pin = 300V, 10 A</li> <li>• 4-pin = 300V, 7 A</li> <li>• 5-pin = 300V, 5.6 A</li> <li>• 6-pin = 300V, 5.6 A</li> </ul>
<b>Environmental</b>	
Enclosure type rating	NEMA 4, 6P, 12, 13; IP67; 1200 psi washdown, IP69K
Temperature rating	-20...+105 °C (-4...+221 °F)

## Mating Components and Accessories

Description	Cat. No.
Coupling adapters	889A-NADPT

## Product Selection

### Cordsets

No. of Pins	Assembly Rating	Color Code <sup>(1)</sup>	Cat. No. <sup>(2)</sup>			
			Straight Socket	Right-angle Socket	Straight Plug	Right-angle Plug
2-pin	300V, 10 A	A	889N-F2AEC-6F	889N-R2AEC-6F	889N-U2AEC-6F	889N-V2AEC-6F
3-pin		A	889N-F3AEC-6F	889N-R3AEC-6F	889N-U3AEC-6F	889N-V3AEC-6F
4-pin	300V, 7 A	B	889N-F3AEA-6F	889N-R3AEA-6F	889N-U3AEA-6F	889N-V3AEA-6F
		A	889N-F4AEC-6F	889N-R4AEC-6F	889N-U4AEC-6F	889N-V4AEC-6F
		B	889N-F4AEA-6F	889N-R4AEA-6F	889N-U4AEA-6F	889N-V4AEA-6F
5-pin	300V, 5.6 A	C	889N-F4AE-6F	889N-R4AE-6F	889N-U4AE-6F	889N-V4AE-6F
		A	889N-F5AEC-6F	889N-R5AEC-6F	889N-U5AEC-6F	889N-V5AEC-6F
		B	889N-F5AEA-6F	889N-R5AEA-6F	889N-U5AEA-6F	889N-V5AEA-6F
6-pin		C	889N-F5AE-6F	889N-R5AE-6F	889N-U5AE-6F	889N-V5AE-6F
		A	889N-F6AE-6F	889N-R6AE-6F	889N-U6AE-6F	889N-V6AE-6F

(1) See [Pinout and Color Code on page 6](#).

(2) The 6F at the end of the catalog number is for 6 ft (1.8 m) cable length. Replace the 6 with 12 (12 ft [3.7 m]) or 20 (20 ft [6.1 m]) for other standard cable lengths.

Patchcords

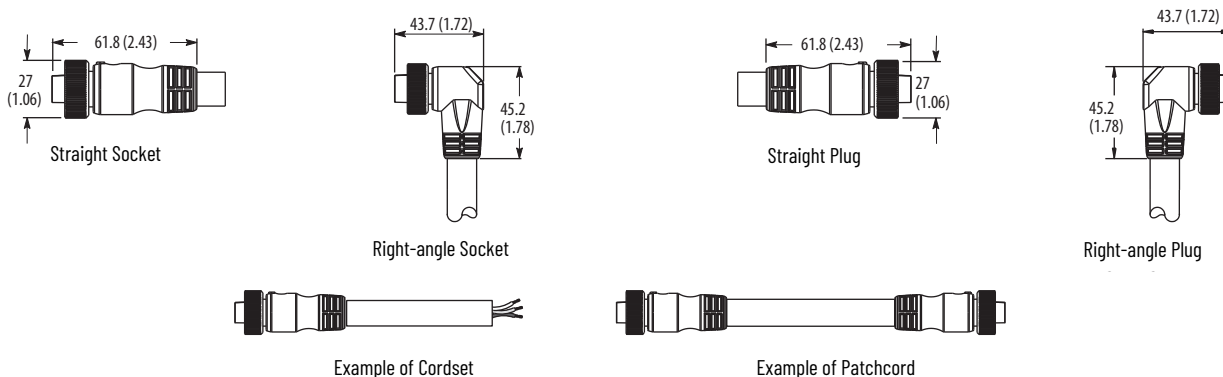
No. of Pins	Assembly Rating	Cat. No. <sup>(1)</sup>			
		Straight Socket Straight Plug	Straight Socket Right-angle Plug	Right-angle Socket Straight Plug	Right-angle Socket Right-angle Plug
2-pin	300V, 10 A	889N-F2AENU-6F	889N-F2AENV-6F	889N-R2AENU-6F	889N-R2AENV-6F
3-pin		889N-F3AENU-6F	889N-F3AENV-6F	889N-R3AENU-6F	889N-R3AENV-6F
4-pin	300V, 7 A	889N-F4AENU-6F	889N-F4AENV-6F	889N-R4AFNU-6F	889N-R4AENV-6F
5-pin	300V, 5.6 A	889N-F5AENU-6F	889N-F5AENV-6F	889N-R5AENU-6F	889N-R5AENV-6F
6-pin		889N-F6AENU-6F	889N-F6AENV-6F	889N-R6AENU-6F	889N-R6AENV-6F

(1) The 6F at the end of the catalog number is for 6 ft (1.8 m) cable length. Replace the 6 with 12 (12 ft [3.7 m]) or 20 (20 ft [6.1 m]) for other standard cable lengths.

**IMPORTANT** Stainless-steel connectors can be ordered by adding an S to the catalog number (for example, 889NS-F3AFC-6F).

Approximate Dimensions

Dimensions are shown in mm (in.). Dimensions are not intended to be used for manufacturing purposes.



Pinout and Color Code

Color Code	Face View Pinout									
	2-pin		3-pin		4-pin		5-pin		6-pin	
	Socket	Plug	Socket	Plug	Socket	Plug	Socket	Plug	Socket	Plug
A (US)	1 White 2 Black		1 Green 2 Black 3 White		1 Black 2 White	3 Red 4 Green	1 White 2 Red 3 Green	4 Orange 5 Black	1 White 2 Red 3 Green	4 Orange Black Blue
B (Auto)	—		1 Green 2 Red/Black Tr 3 Red/White Tr		1 Red/Black Tr 1 Red/White Tr	3 Red 4 Green	1 Red/White Tr 2 Red 3 Green 4 Red/Yellow Tr 5 Red/Black Tr			—
C (IEC)	—		—		1 Black 1 Blue	3 Brown 4 White	1 Black 2 Blue 3 Gray	4 Brown 5 White		—

## Mini Style 16 AWG, ToughLink and ToughWeld



4-pin Straight Mini Cordset

### Specifications

Attribute	Value
Certifications	UL Recognized and CSA Certified
Coupling nut material	Epoxy-coated zinc
Housing material	Molded oil-resistant TPE
Contact material	Gold-plated palladium/nickel
Cable type	<ul style="list-style-type: none"> <li>ToughLink™: Oil-resistant yellow TPE jacket, 16 AWG stranded copper, 600V; UL Recognized and CSA Certified, SE00W</li> <li>ToughWeld™: Oil-resistant yellow CPE thermoset jacket, 16 AWG stranded copper, 600V; UL Recognized and CSA Certified, S00W</li> </ul>
Bend radius	10x diameter
Cable diameter [mm (in.)]	<ul style="list-style-type: none"> <li>3/c = 10 (0.41)</li> <li>4/c = 11 (0.44)</li> <li>5/c = 13 (0.52)</li> </ul>
Electrical	
Cable rating	<ul style="list-style-type: none"> <li>ToughLink: UL SE00W VW-1 105C -50C 600V water-resistant, CSA ST00 FT-1 600V;</li> <li>ToughWeld: UL S00W 105C 600V water-resistant, CSA -50C FT-1 600V</li> </ul>
Assembly rating	<ul style="list-style-type: none"> <li>3-pin: 600V, 13 A</li> <li>4-pin: 600V, 10 A</li> <li>5-pin: 600V, 8 A</li> </ul>
Environmental	
Enclosure type rating	NEMA 4, 6P, 12, 13; IP67; 1200 psi washdown, IP69K
Temperature rating	-50...+105 °C (-58...+221 °F)

### Mating Components and Accessories

Description	Cat. No.
Coupling adapters	889A-NADPT

## Product Selection

### Cordsets

No. of Pins	Jacket Material	Assembly Rating	Color Code <sup>(1)</sup>	Cat. No. <sup>(2)</sup>			
				Straight Socket	Right-angle Socket	Straight Plug	Right-angle Plug
3-pin	ToughLink (TPE)	600V 13 A	A	889N-F3HFC-6F	889N-R3HFC-6F	889N-U3HFC-6F	889N-V3HFC-6F
4-pin		600V 10 A		889N-F4HFC-6F	889N-R4HFC-6F	889N-U4HFC-6F	889N-V4HFC-6F
5-pin		600V 8 A		889N-F5HFC-6F	889N-R5HFC-6F	889N-U5HFC-6F	889N-V5HFC-6F
3-pin	ToughWeld (CPE)	600V 13 A		889N-F3WFC-6F	889N-R3WFC-6F	889N-U3WFC-6F	889N-V3WFC-6F
4-pin		600V 10 A		889N-F4WFC-6F	889N-R4WFC-6F	889N-U4WFC-6F	889N-V4WFC-6F
5-pin		600V 8 A		889N-F5WFC-6F	889N-R5WFC-6F	889N-U5WFC-6F	889N-V5WFC-6F

(1) See [Pinout and Color Code on page 8](#).

(2) The 6F at the end of the catalog number is for 6 ft (1.8 m) cable length. Replace the 6 with 12 (12 ft [3.7 m]) or 20 (20 ft [6.1 m]) for other standard cable lengths.

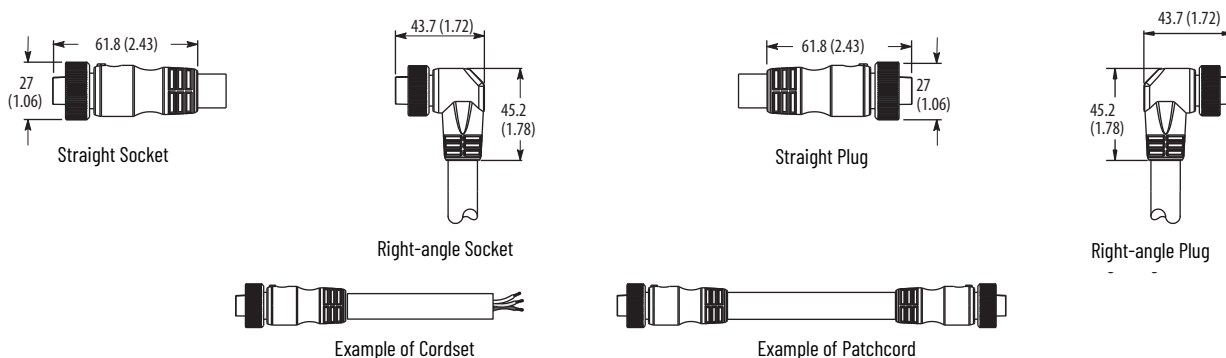
### Patchcords

No. of Pins	Jacket Material	Assembly Rating	Cat. No. <sup>(1)</sup>			
			Straight Socket Straight Plug	Straight Socket Right-angle Plug	Right-angle Socket Straight Plug	Right-angle Socket Right-angle Plug
3-pin	ToughLink (TPE)	600V 13 A	889N-F3HFNU-6F	889N-F3HFNV-6F	889N-R3HFNU-6F	889N-R3HFNV-6F
4-pin		600V 10 A	889N-F4HFNU-6F	889N-F4HFNV-6F	889N-R4HFNU-6F	889N-R4HFNV-6F
5-pin		600V 8 A	889N-F5HFNU-6F	889N-F5HFNV-6F	889N-R5HFNU-6F	889N-R5HFNV-6F
3-pin	ToughWeld (CPE)	600V 13 A	889N-F3WFNU-6F	889N-F3WFNV-6F	889N-R3WFNU-6F	889N-R3WFNV-6F
4-pin		600V 10 A	889N-F4WFNU-6F	889N-F4WFNV-6F	889N-R4WFNU-6F	889N-R4WFNV-6F
5-pin		600V 8 A	889N-F5WFNU-6F	889N-F5WFNV-6F	889N-R5WFNU-6F	889N-R5WFNV-6F

(1) The 6F at the end of the catalog number is for 6 ft (1.8 m) cable length. Replace the 6 with 12 (12 ft [3.7 m]) or 20 (20 ft [6.1 m]) for other standard cable lengths.

### Approximate Dimensions

Dimensions are shown in mm (in.). Dimensions are not intended to be used for manufacturing purposes.



### Pinout and Color Code

Color Code	Face View Pinout					
	3-pin		4-pin		5-pin	
A (US)	1 Green 2 Black 3 White	1 Black 2 White	3 Red 4 Green	1 White 2 Red 3 Green	4 Orange 5 Black	

## Mini Style 18 AWG, TPE and ToughWeld



4-pin Straight Mini Cordset

### Specifications

Attribute	Value
Certifications	UL Recognized and CSA Certified
Coupling nut material	Epoxy-coated zinc
Housing material	Molded oil-resistant TPE
Contact material	Gold-plated palladium/nickel
Cable type	Oil-resistant yellow TPE or CPE jacket, 18 AWG stranded copper, 300V; UL Recognized and CSA Certified
Bend radius	10x diameter
Cable diameter [mm (in.)]	<ul style="list-style-type: none"> <li>TPE: 3/c = 6 (0.25), 4/c = 7 (0.27), 5/c = 8 (0.32)</li> <li>ToughWeld: 3/c = 8 (0.32), 4/c = 9 (0.36), 5/c = 10 (0.38)</li> </ul>
<b>Electrical</b>	
Cable rating	<ul style="list-style-type: none"> <li>TPE: UL AWM style 20327 VW-1 105C 300V, CSA AWM A/B I/II 105C 300V FT1; UV-, oil-, and water-resistant</li> <li>ToughWeld: UL SJ00W 105C 300V water-resistant, CSA -50C FT-1 300V</li> </ul>
Assembly rating	<ul style="list-style-type: none"> <li>3-pin: 300V, 10 A</li> <li>4-pin: 300V, 7 A</li> <li>5-pin: 300V, 5.6 A</li> </ul>
<b>Environmental</b>	
Enclosure type rating	NEMA 4, 6P, 12, 13; IP67; 1200 psi washdown, IP69K
Temperature rating	-50...+105 °C (-58...+221 °F)

### Mating Components and Accessories

Description	Cat. No.
Coupling adapters	889A-NADPT

## Product Selection

### Cordsets

No. of Pins	Jacket Material	Assembly Rating	Color Code <sup>(1)</sup>	Cat. No. <sup>(2)</sup>			
				Straight Socket	Right-angle Socket	Straight Plug	Right-angle Plug
3-pin	TPE	300V, 10 A	B	889N-F3HJA-6F	889N-R3HJA-6F	889N-U3HJA-6F	889N-V3HJA-6F
4-pin		300V, 7 A		889N-F4HJA-6F	889N-R4HJA-6F	889N-U4HJA-6F	889N-V4HJA-6F
5-pin		300V, 5.6 A		889N-F5HJA-6F	889N-R5HJA-6F	889N-U5HJA-6F	889N-V5HJA-6F
3-pin	ToughWeld (CPE)	300V, 10 A	A	889N-F3WEC-6F	889N-R3WEC-6F	889N-U3WEC-6F	889N-V3WEC-6F
4-pin		300V, 7 A		889N-F4WEC-6F	889N-R4WEC-6F	889N-U4WEC-6F	889N-V4WEC-6F
5-pin		300V, 5.6 A		889N-F5WEC-6F	889N-R5WEC-6F	889N-U5WEC-6F	889N-V5WEC-6F

(1) See [Pinout and Color Code on page 10](#).

(2) The 6F at the end of the cat. no. is for 6 ft (1.8 m) cable length. Replace the 6 with 12 (12 ft [3.7 m]), or 20 (20 ft [6.1 m]) for other standard cable lengths.

### Patchcord

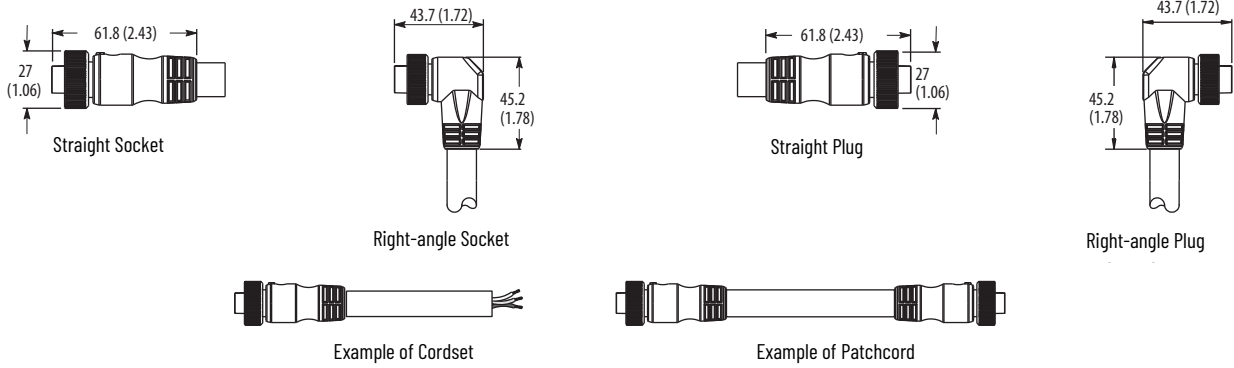
No. of Pins	Jacket Material	Assembly Rating	Cat. No. <sup>(1)</sup>			
			Straight Socket Straight Plug	Straight Socket Right-angle Plug	Right-angle Socket Straight Plug	Right-angle Socket Right-angle Plug
3-pin	TPE	300V, 10 A	889N-F3HJNU-6F	889N-F3HJNV-6F	889N-R3HJNU-6F	889N-R3HJNV-6F
4-pin		300V, 7 A	889N-F4HJNU-6F	889N-F4HJNV-6F	889N-R4HJNU-6F	889N-R4HJNV-6F
5-pin		300V, 5.6 A	889N-F5HJNU-6F	889N-F5HJNV-6F	889N-R5HJNU-6F	889N-R5HJNV-6F
3-pin	ToughWeld (CPE)	300V, 10 A	889N-F3WENU-6F	889N-F3WENV-6F	889N-R3WENU-6F	889N-R3WENV-6F
4-pin		300V, 7 A	889N-F4WENU-6F	889N-F4WENV-6F	889N-R4WENU-6F	889N-R4WENV-6F
5-pin		300V, 5.6 A	889N-F5WENU-6F	889N-F5WENV-6F	889N-R5WENU-6F	889N-R5WENV-6F

(1) The 6F at the end of the cat. no. is for 6 ft (1.8 m) cable length. Replace the 6 with 12 (12 ft [3.7 m]), or 20 (20 ft [6.1 m]) for other standard cable lengths.



## Approximate Dimensions

Dimensions are shown in mm (in.). Dimensions are not intended to be used for manufacturing purposes.



## Pinout and Color Code

Color Code	Face View Pinout					
	3-pin		4-pin		5-pin	
A (US)	1 Green 2 Black 3 White		1 Black 2 White	3 Red 4 Green	1 White 2 Red 3 Green	4 Orange 5 Black
B (Auto)	1 Green 2 Red/Black Tr 3 Red/White Tr		1 Red/Black Tr 2 Red/White Tr	3 Red 4 Green	1 Red/White Tr 2 Red 3 Green	4 Red/Yellow Tr 5 Red/Black Tr