



# Signaling Specifications

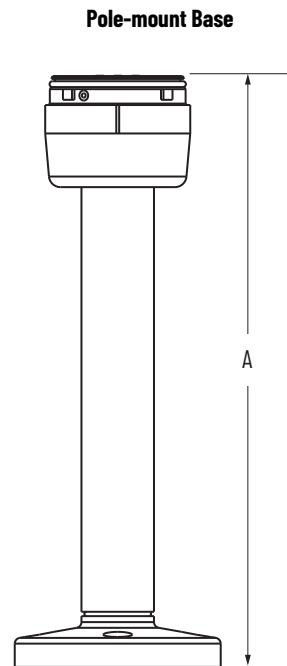
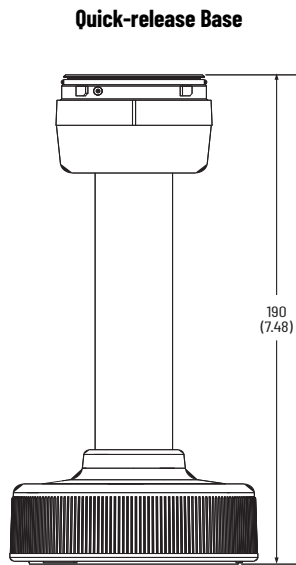
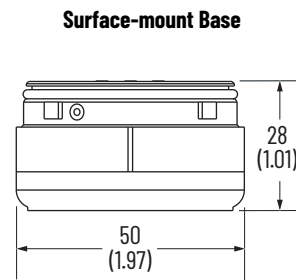
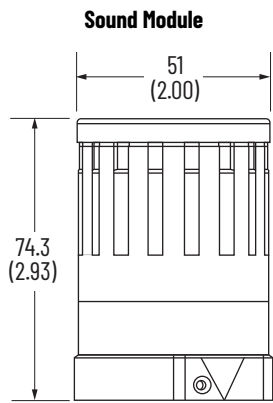
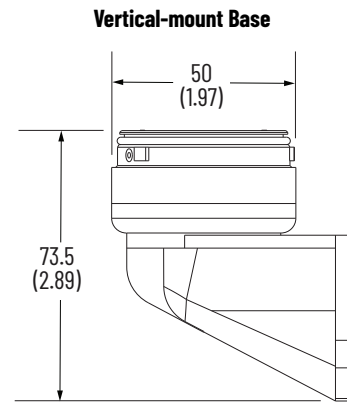
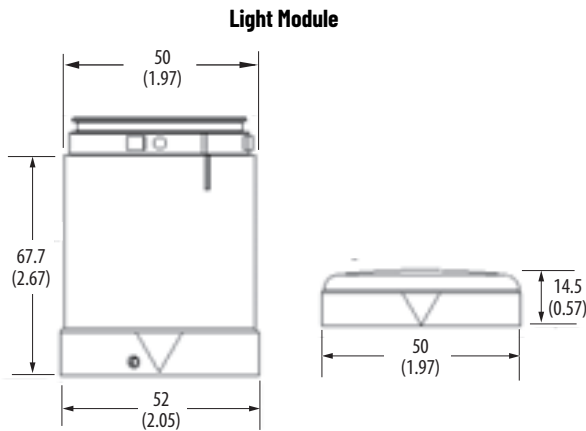
Bulletin Numbers 854J, 854K, 855B, 855BS/BM/BL, 855D, 855E, 855F, 855H/HM, 855L, 855P, 855R, 855T, 855W, 855X/XM, 856T

Topic	Page
Summary of Changes	2
Bulletin 855P Panel-mount Signaling Alarms	3
Panel-mount Sounder	3
Panel-mount Combined Sounder with LED Beacon	3
Panel-mount Strobe	3
Panel-mount Selectable Steady or Flashing LED Beacon	3
Panel-mount Dual-circuit Alarms	5
Bulletin 855L Panel Light Bars	9
Bulletin 855H Industrial Horns	11
General-purpose Electronic Horns	11
High-performance Electronic Horns	13
Recordable Electronic Horns	21
Recordable Electronic Horns with Attached LED Beacons	21
High-performance Electronic Metal Horns	25
High-performance Electronic Metal Horns with Attached LED Beacons	25
Bulletin 855B Industrial Beacons	28
Miniature Square Beacons	28
Industrial Round Beacons	30
Bulletin 855R Industrial Round Beacons	39
110 mm Complete Beacons	39
110 mm LED Modules	40
110 mm Bases	40
Bulletin 855D/855F Compact Control Tower™ Stack Lights	47
30 mm Compact Control Tower Stack Lights	47
70 mm Compact Control Tower Stack Lights	52

Topic	Page
Bulletin 854J/854K Control Tower™ Stack Lights	57
40 mm Control Tower Stack Lights	57
60 mm Control Tower Stack Lights	66
Bulletin 855E/855T Control Tower™ Stack Lights	75
50 mm Control Tower Stack Lights	75
70 mm Control Tower Stack Lights	83
Bulletin 856T 70 mm Control Tower Stack Lights	97
Light Modules	97
Sound Modules	98
Power Modules	98
IO-Link Module	99
Base Mounting Adapters	99
Pre-assembled Bases	100
Pre-configured Control Tower Lights, 1...7 Modules	101
Bulletin 855W Wall-mount Signal Light	111
Pre-assembled Wall-mount Signal Lights, 2...5 Light Levels	111
Bulletin 855X Hazardous Location Horns, Beacons, and Combination Units	114
Alarm Horn Sounders	114
Xenon Strobe Beacons	115
Combined Horn Sounder and Strobe Beacons	115
Additional Resources	131

## Approximate Dimensions

Dimensions in millimeters (inches). Dimensions are not intended to be used for manufacturing purposes.



		Pole-mount Base				
Height		PM10	PM25	PM40	PM60	PM80
mm (in.)	A	131 5.16	280.5 11.04	430.5 16.95	630.5 24.82	830.6 32.70