



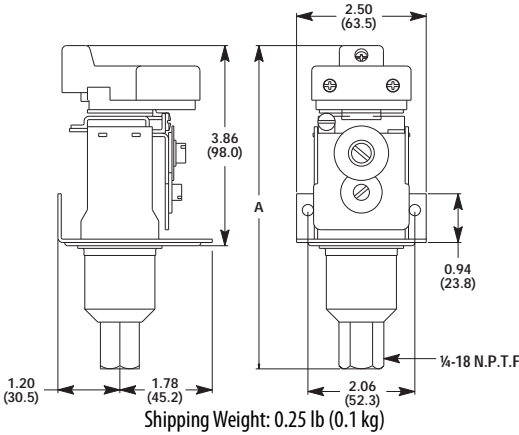
Condition Sensing Specifications

Bulletins 808,836,836T,837,840

Topic	Page
Summary of Changes	2
836 Pressure Controls	3
836T Pressure Controls, Traditional Machine Tool	23
837 Mechanical Temperature Controls	49
840 Automatic Float Switches	67
808 Speed Sensing Switches	81

Style

Figure 23 - Cat. No. 836-C



Cat. No.	Dimension A in. (mm)
C2, C3, C60, C61	6.11 (155)
C4	5.99 (152)
C5, C64	5.94 (151)
C6, C62	6.29 (160)
C7, C63	6.24 (158)
C8, C9	5.56 (141)
C10, C11, C12, C65	5.78 (147)

Catalog Numbers 836-C1 and 836-C1A: Require a 2 in. swing radius from centerline of pressure connection. Mount control on 7/8 in. minimum spacers, 3/8-18 N.P.S.F. internal pipe connection.