

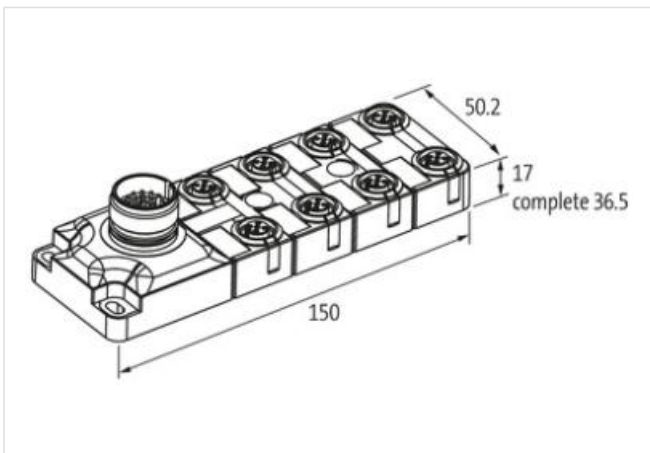
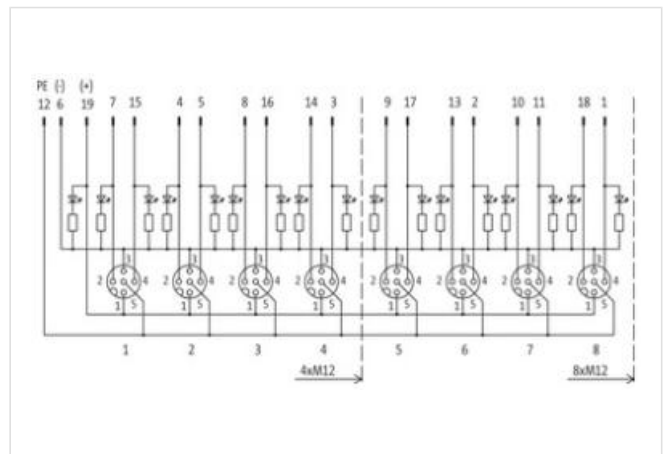
EXACT12, 8XM12, 5-POLE, CON. M23 19 POLE

Without con. cable

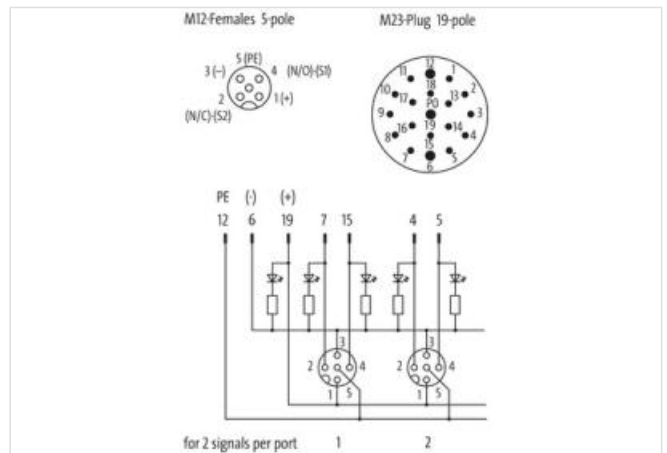
8-way, 5-pole
 M23 plug connection
 19-pole used
 with LED for digital PNP-signals 24 V DC
 Plastic housings with good resistance against chemicals and oils.
 The resistance to aggressive media should be individually tested for your application. Further details on request.

[Link to Product](#)

Illustration



Product may differ from Image



Technical Data

Operating voltage	24 V DC
Operating current per contact	max. 4 A
Protection	IP65/IP67

Housing	Plastic, flame retardant
---------	--------------------------

Total current	max. 8 A
---------------	----------

General data

Temperature range	-20...+80 °C
-------------------	--------------

Contact Layout

PIN 1	(+)
-------	-----

PIN 2	(NC)/(S2)
-------	-----------

PIN 3	(-)
-------	-----

PIN 4	(NO)/(S1)
-------	-----------

PIN 5	(Earth)
-------	---------

	LED (green): Power / LED (yellow): (S1) / LED (white): Signal (S2)
--	--

Product article number of manufacturer	8000-88520-0000000
--	--------------------