

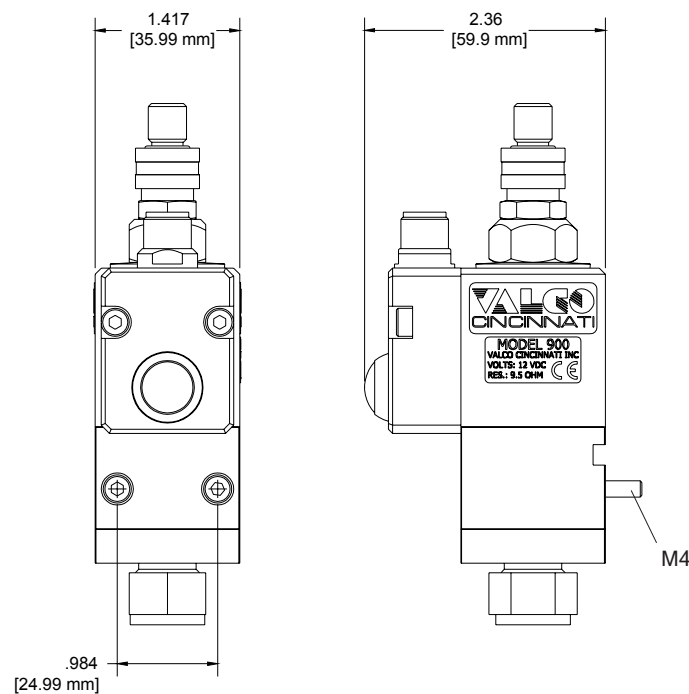
900 Series Valve Features

- All electric operation, no compressed air required
- High-flow capabilities for non-contact applications
- No dynamic seals for enhanced service life, even under high-cycle rate conditions
- Ceramic seat and carbide-tipped plunger assembly
- Compatible with high-viscosity adhesives for consistent, accurate glue patterns at high machine speeds
- Used mainly on non-contact BoardRunner

900 Series, Solenoid-operated Glue Valve

704xx874	900 solenoid-operated glue valve
707xx218	900 ECT non-contact, solenoid-operated glue valve
707xx640	EP 900 BR
707xx641	EP 900 ECT

(Nozzles sold separately)



Nozzle Options

Single Vein

704xx762	Nozzle, 0.010
704xx322	Nozzle, 0.012
703xx957	Nozzle, 0.016
703xx958	Nozzle, 0.020
704xx159	Nozzle, 0.024
703xx959	Nozzle, 0.028

Two Vein, 18-Degree

702xx735	Nozzle, 0.013
702xx724	Nozzle, 0.015
702xx725	Nozzle, 0.017
702xx726	Nozzle, 0.020
702xx738	Nozzle, 0.025
702xx737	Nozzle, 0.030

Three Vein, 20-Degree

702xx736	Nozzle, 0.013
702xx727	Nozzle, 0.015
702xx728	Nozzle, 0.017
702xx729	Nozzle, 0.020
702xx733	Nozzle, 0.025
702xx734	Nozzle, 0.030
702xx739	Nozzle, 0.040

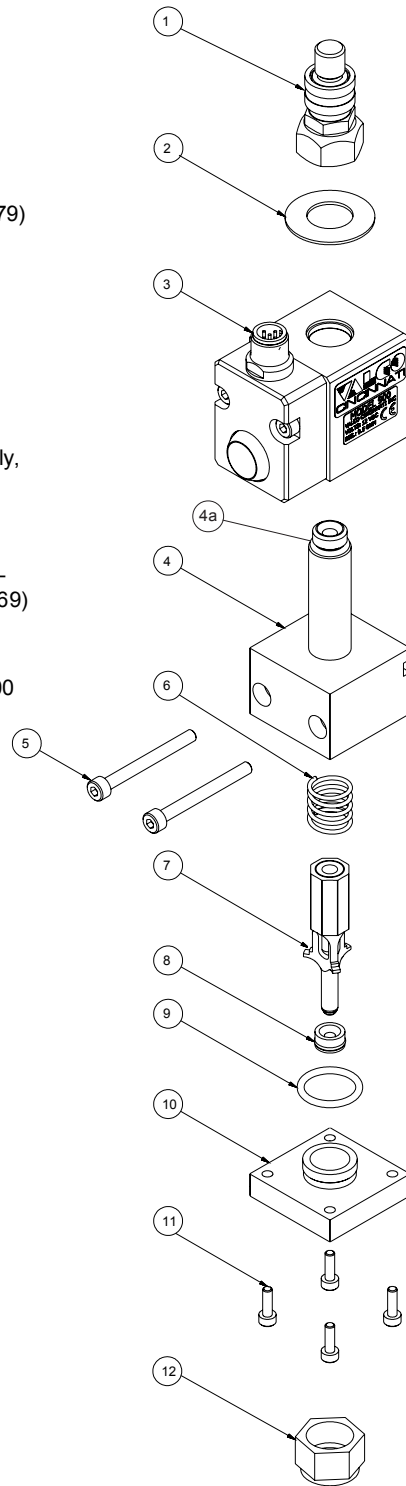


900 Series Non-Contact Valves

DS084

Replacement Parts

Item	Part No.	EP Part No.	Description
1	752xx036	752xx045	Disconnect adapter assembly with male stopper (750xx013)
2	783xx043		Spring washer
3	704xx872		Solenoid assembly, 900; includes flux washer (704xx879)
4	704xx873	707xx610	Valve body assembly, 900
4a	745xx184	746xx169	O-ring
5	784xx136		Screw
6	783xx042		Spring, 900
7	707XX580		Plunger assembly, 900
8	707xx462		Seat insert assembly, 900; includes O-ring – Item 8a (746xx069)
9	745xx007	746xx170	O-ring
10	707xx219		Seat adapter, 900
11	784xx112		Screw
12	798xx356		Nut, M16x1, retainer



Common Connector Cables

030xx624	Connector cable, 2m (6.6-ft) w/ M12
030xx625	Connector cable, 4m (13-ft) w/ M12
030xx626	Connector cable, 8m (26-ft) w/ M12
030xx741	Connector cable, 10m (33-ft) w/M12
030xx882	Connector cable, 10m (33-ft) w/ flying leads on control end

Repair Kit 707xx443

Item	Qty	Part No.	Description
2	1	783xx043	Spring washer
4a	1	745xx184	O-ring
5	2	784xx136	Screw
6	1	783xx042	Spring, 900
8a	1	746xx069	O-ring
9	1	745xx007	O-ring
11	4	784xx112	Screw
13	1	750xx005	Swivel disconnect

Maintenance Kit for 900 Series Valves, Viton

707xx295 Maintenance Kit includes grease, nozzle drill, plunger, seat insert, O-rings, flushing adapter, and disconnect fittings

Repair Kit for 900 Series Valves, Viton

707xx443 Repair Kit includes spring washer, spring, o-rings, screws, swivel fitting-plug, and instructions.

Maintenance Kit for 900 Series Valves, EP

707xx629 Maintenance Kit includes grease, nozzle drill, plunger, seat insert, O-rings, flushing adapter, and disconnect fittings

Repair Kit for 900 Series Valves, EP

707xx628 Repair Kit includes spring washer, spring, o-rings, screws, swivel fitting-plug, and instructions.

BoardRunner Glue Station

The 900 Series valve is most commonly used with the BoardRunner glue station. The BoardRunner glue station is designed for installation on corrugated-box making machines (flexo folder/glue). Contact ValcoMelton for other bracket packages.

Please visit

<http://www.valcomelton.com/flexoseal.htm> for more information on the BoardRunner.