

Handhabungstechnik  
Motore & Getriebe  
Pneumatik  
Hydraulik  
Systemlösungen

as-tec  
Mechatronik GmbH

# Produktkatalog

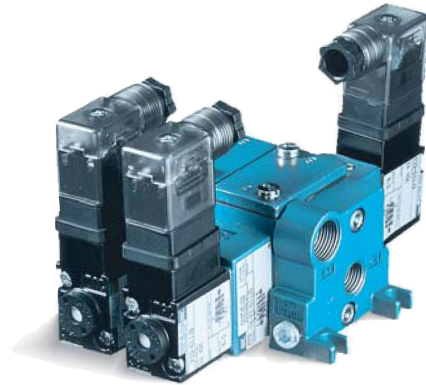
## MAC 5/2 Wegeventile Serie 700 - 1/8" 1/4"



Function	Port size	Flow [Max]	Manifold mounting	Series
<b>4/2</b>	<b>1/8" - 1/4"</b>	<b>0.8 C<sub>v</sub></b>	stacking	

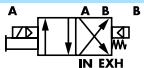
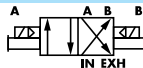
### OPERATIONAL BENEFITS

- Balanced spool, immune to variations of pressure.
- Short stroke with high flow.
- The piston (booster) provides maximum shifting forces.
- Powerful return force thanks to the combination of mechanical and air springs.
- Bonded spool with minimum friction, shifting in a glass-like finished bore.
- Wiping effect eliminates sticking.
- Pilot valve with balanced poppet, high flow, short and consistent response times.
- Long service life.



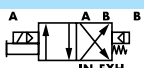
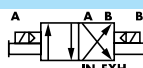
35  
100  
200  
55  
56  
57  
58  
59

### HOW TO ORDER

Port size	Pilot air	Single operator	Double operator
			
<b>1/8" NPTF</b>	Internal	713C-11-PI- <b>XXYYZZ</b>	723C-11-PI- <b>XXYYZZ</b>
<b>1/4" NPTF</b>		713C-12-PI- <b>XXYYZZ</b>	723C-12-PI- <b>XXYYZZ</b>

45

### HOW TO ORDER VALVE WITH FLOW CONTROLS

Port size	Pilot air	Single operator	Double operator
			
<b>1/8" NPTF</b>	Internal	714C-11-PI- <b>XXYYZZ</b>	724C-11-PI- <b>XXYYZZ</b>
<b>1/4" NPTF</b>		714C-12-PI- <b>XXYYZZ</b>	724C-12-PI- <b>XXYYZZ</b>

700

900

### SOLENOID OPERATOR >

**XX Y ZZ\***

XX Voltage	Y Manual operator	ZZ Electrical connection
<b>11</b> 120/60, 110/50	<b>1</b> Non-locking	<b>JB</b> Rectangular connector
<b>12</b> 240/60, 220/50	<b>2</b> Locking	<b>JD</b> Rectangular connector with light
<b>22</b> 24/50, 24/60		<b>JA</b> Square connector
<b>59</b> 24 VDC (2.5 W)		<b>JC</b> Square connector with light
<b>87</b> 24 VDC (17.1 W)		<b>BA</b> Flying leads (18")
<b>61</b> 24 VDC (8.5 W)		<b>CA</b> Conduit 1/2" NPS
		<b>MB</b> Common conduit 1" NPS

6300

6500

6600

1300

800

\* Other options available, see page 349.

End plate kit required (Port size 1/4") : M-07001-01-01 (internal pilot).

M-07001-02-01 (external pilot).

M-01002-01 (for MB option) required in addition to one of the above end plate kits.

ISO 1

ISO 2

ISO 3

MAC 125A

MAC 250A

MAC 500A

**TECHNICAL DATA**

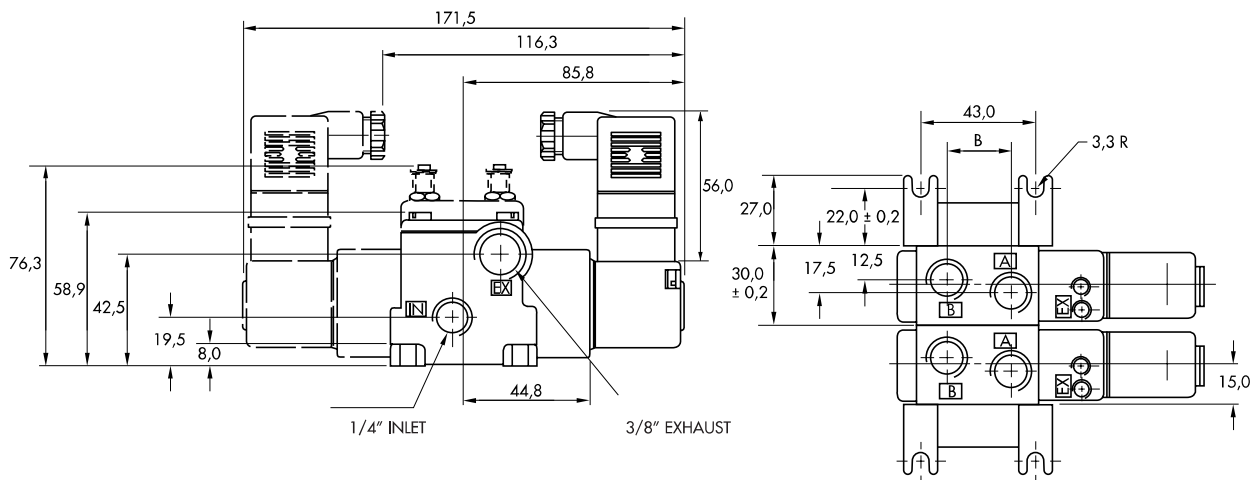
<b>Fluid :</b>	Compressed air, vacuum, inert gases
<b>Pressure range :</b>	Internal pilot : single operator : 20 to 150 PSI    double operator : 10 to 150 PSI External pilot : vacuum to 150 PSI
<b>Pilot pressure :</b>	Single operator : 20 to 150 PSI    Double operator : 10 to 150 PSI
<b>Lubrication :</b>	Not required, if used select a medium aniline point lubricant (between 180°F to 210°F)
<b>Filtration :</b>	40 µ
<b>Temperature range :</b>	0°F to 120°F (-18°C to 50°C)
<b>Flow (at 6 bar, ΔP=1bar) :</b>	1/8" : (0.7 C <sub>v</sub> ), 1/4" : (0.8 C <sub>v</sub> )
<b>Coil :</b>	General purpose class A, continuous duty, encapsulated
<b>Voltage range :</b>	-15% to +10% of nominal voltage
<b>Protection :</b>	Consult factory
<b>Power :</b>	~ Inrush : 14.8 VA    Holding : 10.9 VA = 1 to 17.1 W
<b>Response times :</b>	24 VDC (8.5 W)    Energize : 6.4 ms    De-energize : 8.5 ms 120/60    Energize : 4-10 ms    De-energize : 7-13 ms

- Spare parts :
- Solenoid operator (power ≥ 4 W) : D1-XXAA, cover mounting screws 35206 and seal 16234.
  - Pilot valve : PID-XYZZ, including mounting screws 35214 and seal 16363.
  - Valve cover plate with integral flow controls : N-07004. • Inlet & exhaust isolator : N-07005. • Inlet isolator : N-07006.
  - Exhaust isolator : N-07007.

- Options :
- BSPP threads.

**DIMENSIONS**

Dimensions shown are metric (mm)



Port size	B
1/8" NPTF	21.0
1/4" NPTF	24.0