

THE 524EZ SERIES VALVES ARE SOLENOID OPERATED FOR PRECISE GLUE PATTERNS AT HIGH MACHINE SPEEDS. THE VALVE FEATURES A CERAMIC TIPPED PLUNGER ASSEMBLY AND NO DYNAMIC SEALS FOR LONG LIFE. THE 524EZR VERSION OFFERS AN ADJUSTABLE STROKE FOR MORE FLEXIBLE PATTERN CONTROL

APPLICATIONS

FOLDING CARTONS, ENVELOPES, MAILERS AND ANY HIGH PRESSURE, HIGH SPEED, NON-CONTACT APPLICATIONS

TECHNICAL DATA

COIL RESISTANCE - 5.3 OHMS
 VALVE WIDTH - 25mm (.984in)
 VALVE HEIGHT (EZR STANDARD) - 126.05mm (4.963in)
 VALVE HEIGHT (EZR LOW) - 120.66mm (4.751in)
 VALVE HEIGHT (EZR STANDARD) - 114.13mm (4.493in)
 VALVE HEIGHT (EZR LOW) - 108.75mm (4.261in)
 MAX FLUID PRESURE - 500psi
 VISCOSITY RANGE - 0 - 4000 cps
 HOLD VOLTAGE - 6 VDC

VALVE ASSEMBLIES

SEE SHEET 2

MAINTENANCE KITS

MAINTENANCE KIT (VITON) - 707XX559
 MAINTENANCE KIT (EP) - 707XX632

MAINTENANCE KITS INCLUDE:

- GREASE
- FLUSHING ADAPTER
- NOZZLE CLEANING DRILLS
- CLEANING BRUSH
- PLUNGER ASSEMBLY
- O-RINGS
- SPRING

REPAIR KITS

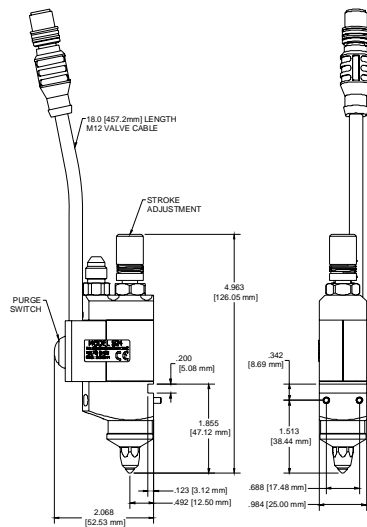
REPAIR KIT (VITON) - 712XX012
 REPAIR KIT (EP) - 712XX013

REPAIR KITS INCLUDE:

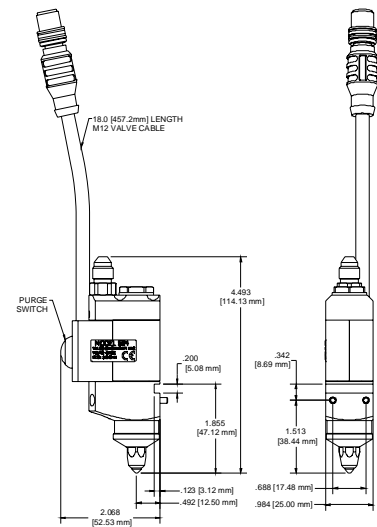
- O-RINGS
- SPRING
- MOUNTING SCREWS

STROKE ADJUSTMENT

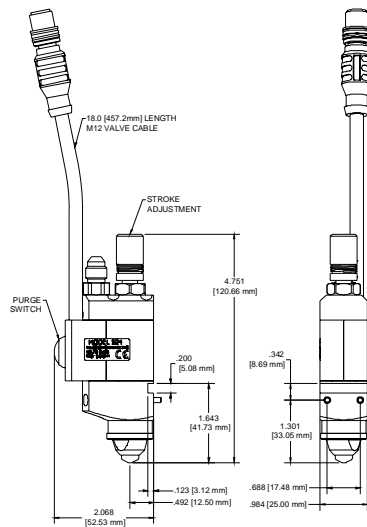
THE STROKE ADJUSTMENT FINE-TUNES PLUNGER MOTION IN THE VALVE. THE STANDARD SETTING IS TO TIGHTEN THE ADJUSTMENT KNOB COMPLETELY, AND THEN LOOSEN IT 1/2 ROTATION.



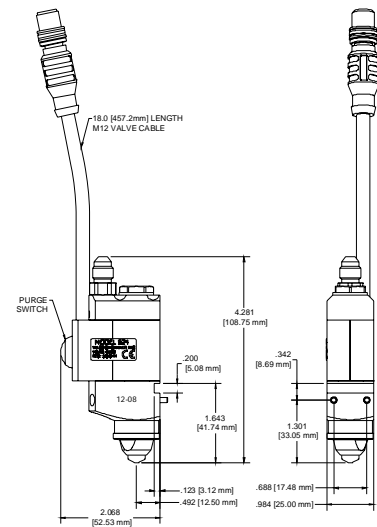
524EZR STANDARD VALVE



524EZR STANDARD VALVE



524EZR LOW-RESTRICTION VALVE



524EZR LOW-RESTRICTION VALVE

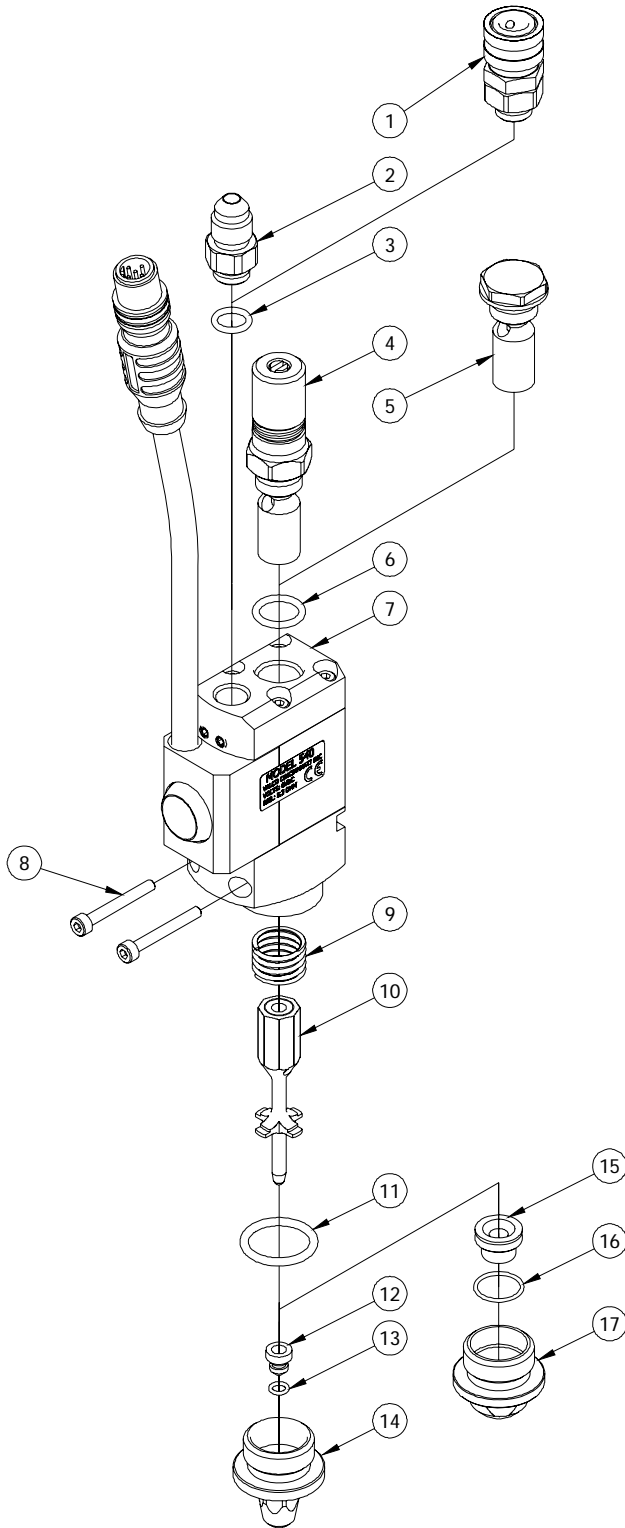


VALCO MELTON™
524 EZR/EZR Valve



CAUTION!

Before installing the adjustable backstop (4), open the stroke adjustment knob fully. During reassembly, the backstop (4 or 5), and the adapter assembly (14 or 17), must be tightened into the valve sub-assembly (7) completely.



REPLACEMENT PARTS

		VITON	EP
1	FITTING - SWIVEL	799XX658	707XX607
2	JIC CONNECTOR	707XX345	707XX618
3	O-RING (INCLUDED W/ ITEMS 1 & 2)	745XX339	746XX119
4	ADJUSTABLE BACKSTOP	707XX472	707XX608
5	NON-ADJUSTABLE BACKSTOP	712XX014	712XX015
6	O-RING (INCLUDED W/ ITEM 4 & 5)	745XX340	746XX089
7	VALVE SUB ASSEMBLY	707XX477	707XX477
8	SHCS M3 X 25 SS	798XX049	798XX049
9	SPRING	783XX042	783XX042
10	PLUNGER ASSEMBLY	707XX529	707XX529
11	O-RING (INCLUDED W/ ITEMS 14 & 17)	745XX007	746XX170
12A	SEAT ASSEMBLY - STANDARD - 0.25mm	707XX110	707XX110
12B	SEAT ASSEMBLY - STANDARD - 0.30mm	707XX073	707XX073
12C	SEAT ASSEMBLY - STANDARD - 0.35mm	707XX074	707XX074
12D	SEAT ASSEMBLY - STANDARD - 0.40mm	707XX075	707XX075
12E	SEAT ASSEMBLY - STANDARD - 0.50mm	707XX076	707XX076
12F	SEAT ASSEMBLY - STANDARD - 0.60mm	707XX077	707XX077
12G	SEAT ASSEMBLY - STANDARD - 0.70mm	707XX078	707XX078
12H	SEAT ASSEMBLY - STANDARD - 0.80mm	707XX079	707XX079
13	O-RING (INCLUDED W/ ITEM 12)	745XX527	745XX527
14	ADAPTER ASSEMBLY - STANDARD (INCLUDES ITEM 11)	707XX513	707XX613
15A	SEAT ASSEMBLY - LOW RESTRICTION - 0.25mm	707XX521	712XX021
15B	SEAT ASSEMBLY - LOW RESTRICTION - 0.30mm	707XX522	712XX022
15C	SEAT ASSEMBLY - LOW RESTRICTION - 0.35mm	707XX523	712XX023
15D	SEAT ASSEMBLY - LOW RESTRICTION - 0.40mm	707XX524	712XX024
15E	SEAT ASSEMBLY - LOW RESTRICTION - 0.50mm	707XX525	712XX025
15F	SEAT ASSEMBLY - LOW RESTRICTION - 0.60mm	707XX526	712XX026
15G	SEAT ASSEMBLY - LOW RESTRICTION - 0.70mm	707XX527	712XX027
15H	SEAT ASSEMBLY - LOW RESTRICTION - 0.80mm	707XX528	712XX028
16	O-RING (INCLUDED W/ ITEM 16)	746XX180	746XX183
17	ADAPTER ASSEMBLY - LOW RESTRICTION (INCLUDES ITEM 11)	707XX518	707XX614

524EZR STANDARD NOZZLE VALVE ASSEMBLY

524EZR VALVE ASSEMBLY - 0.25mm	707XX541	707XX691
524EZR VALVE ASSEMBLY - 0.30mm	707XX542	707XX692
524EZR VALVE ASSEMBLY - 0.35mm	707XX543	707XX693
524EZR VALVE ASSEMBLY - 0.40mm	707XX544	707XX694
524EZR VALVE ASSEMBLY - 0.50mm	707XX545	707XX695
524EZR VALVE ASSEMBLY - 0.60mm	707XX546	707XX696
524EZR VALVE ASSEMBLY - 0.70mm	707XX547	707XX697
524EZR VALVE ASSEMBLY - 0.80mm	707XX548	707XX698

524EZR LOW RESTRICTION NOZZLE VALVE ASSEMBLY

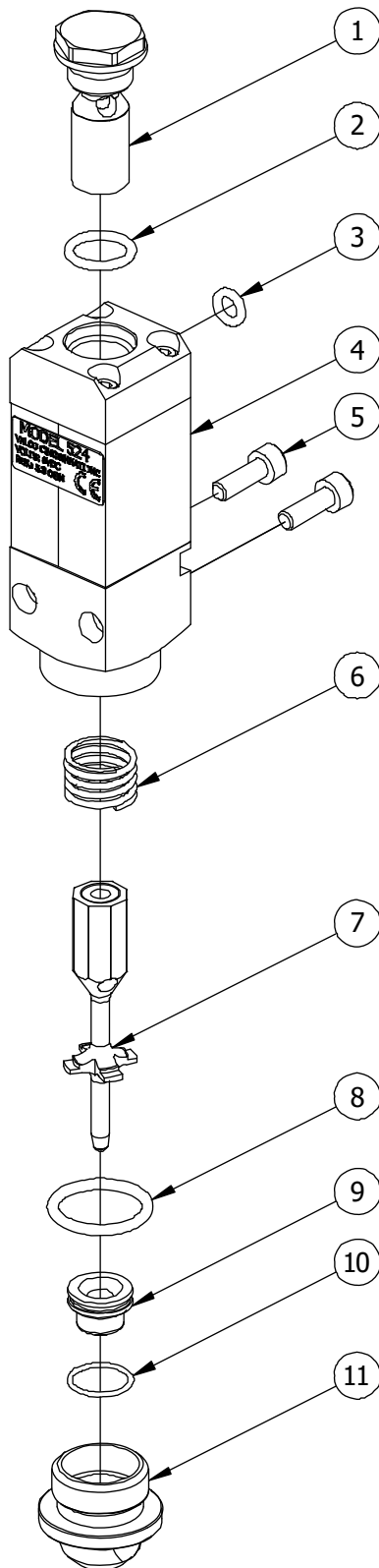
524EZR VALVE ASSEMBLY - 0.25mm	707XX561	707XX681
524EZR VALVE ASSEMBLY - 0.30mm	707XX562	707XX682
524EZR VALVE ASSEMBLY - 0.35mm	707XX563	707XX683
524EZR VALVE ASSEMBLY - 0.40mm	707XX564	707XX684
524EZR VALVE ASSEMBLY - 0.50mm	707XX565	707XX685
524EZR VALVE ASSEMBLY - 0.60mm	707XX566	707XX686
524EZR VALVE ASSEMBLY - 0.70mm	707XX567	707XX687
524EZR VALVE ASSEMBLY - 0.80mm	707XX568	707XX688

524EZT STANDARD NOZZLE VALVE ASSEMBLY

524EZT VALVE ASSEMBLY - 0.25mm	707XX551	707XX671
524EZT VALVE ASSEMBLY - 0.30mm	707XX552	707XX672
524EZT VALVE ASSEMBLY - 0.35mm	707XX553	707XX673
524EZT VALVE ASSEMBLY - 0.40mm	707XX554	707XX674
524EZT VALVE ASSEMBLY - 0.50mm	707XX555	707XX675
524EZT VALVE ASSEMBLY - 0.60mm	707XX556	707XX676
524EZT VALVE ASSEMBLY - 0.70mm	707XX557	707XX677
524EZT VALVE ASSEMBLY - 0.80mm	707XX558	707XX678

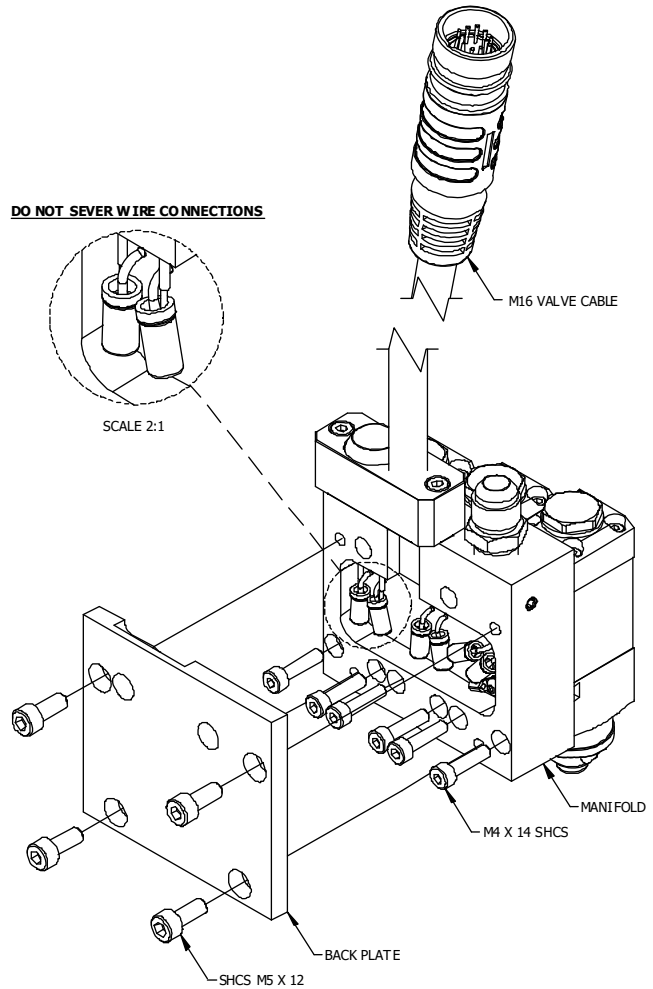
524EZT LOW RESTRICTION NOZZLE VALVE ASSEMBLY

524EZT VALVE ASSEMBLY - 0.25mm	707XX531	707XX661
524EZT VALVE ASSEMBLY - 0.30mm	707XX532	707XX662
524EZT VALVE ASSEMBLY - 0.35mm	707XX533	707XX663
524EZT VALVE ASSEMBLY - 0.40mm	707XX534	707XX664
524EZT VALVE ASSEMBLY - 0.50mm	707XX535	707XX665
524EZT VALVE ASSEMBLY - 0.60mm	707XX536	707XX666
524EZT VALVE ASSEMBLY - 0.70mm	707XX537	707XX667
524EZT VALVE ASSEMBLY - 0.80mm	707XX538	707XX668



Replacement Parts

		VITON	EP
1	BACKSTOP	707XX609	707XX609
2	O-RING	745XX340	746XX089
3	O-RING	745XX026	746XX204
4	VALVE SUB ASSEMBLY	707XX626	707XX626
5	SHCS M4 X 14 SS	884XX100	884XX100
6	SPRING	783XX042	783XX042
7	PLUNGER ASSEMBLY	707XX529	707XX529
8	O-RING (INCLUDED W/ ITEM 11)	745XX007	746XX170
9	NOZZLE ASSEMBLY (INCLUDES ITEM 10)	707XX524	712XX024
10	O-RING (INCLUDED W/ ITEM 9)	746XX180	746XX183
11	NOZZLE BODY ASSEMBLY (INCLUDES ITEM 8)	707XX518	707XX614



** IMPORTANT **

TO REMOVE THE VALVE ASSEMBLY FROM THE MANIFOLD TO REPLACE THE O-RING
 REMOVE THE BACK PLATE VIA THE FOUR (4) M5 X 12 SHCS.
 NEXT REMOVE THE VALVE ASSEMBLY VIA THE TWO (2) M4 X 14 SHCS.
 GENTLY REMOVE THE VALVE FROM THE MANIFOLD MAKING SURE NOT TO DAMAGE
 THE COIL WIRES FROM THE VALVE THAT ARE CONNECTED TO THE M16 VALVE CABLE

Design specifications subject to change without notice. © Valco Cincinnati Inc. All Rights Reserved. DS104 524E2T Manifold Mount Valves 1/2016

Valco Cincinnati Incorporated
 411 Circle Freeway Drive
 Cincinnati, Ohio 45246, USA
 TEL: (1) 513-874-6550
 FAX: (1) 513-874-3612

Melton S.L.U.
 Pol. Industrial Agustinos
 calle G, n. 34
 31160 Orcoyen, Navarra, Spain
 TEL: (34) 948-321-580
 FAX: (34) 948-326-584

Valco Cincinnati, Ltd.
 Unit 7-8
 Hortonwood 32
 Telford TF1 7YN England
 TEL: (44) 1952-677911
 FAX: (44) 1952-677945

Valco Cincinnati GmbH
 Bonnerstrasse 349
 40589 Dusseldorf-Benrath,
 Germany
 Tel: +49 211 984 798-0
 Fax: +49 211 984 798-20

Valco Melton France
 Technoparc des Hautes Faventines
 32 Rue Jean Bertin
 26000 Valence
 Tel: +33 (0)4 75 78 13 73
 Fax: +33 (0)4 75 55 74 20