

T-Coupler M12 female/ 2x M12 male A-cod. shielded

6-pol., CUBE67

Cube67 additional actuator power supply

T-coupler

Male straight – females straight

M12 – M12, 6-pole

A-coded

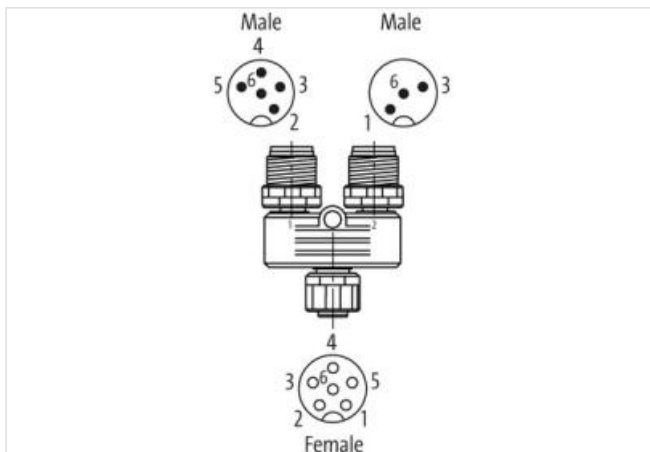
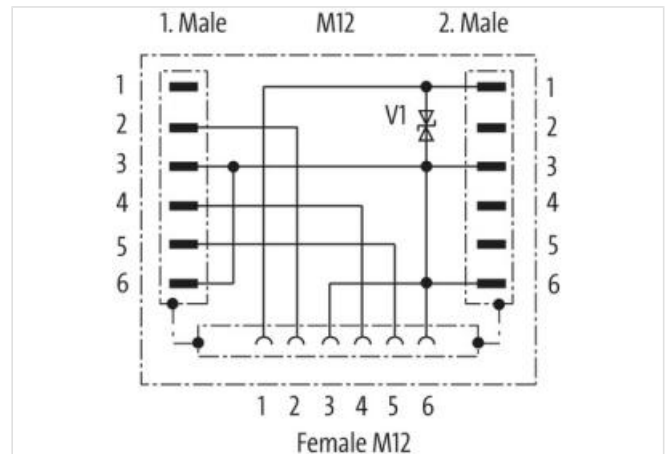
shielded

Plastic housings with good resistance against chemicals and oils.

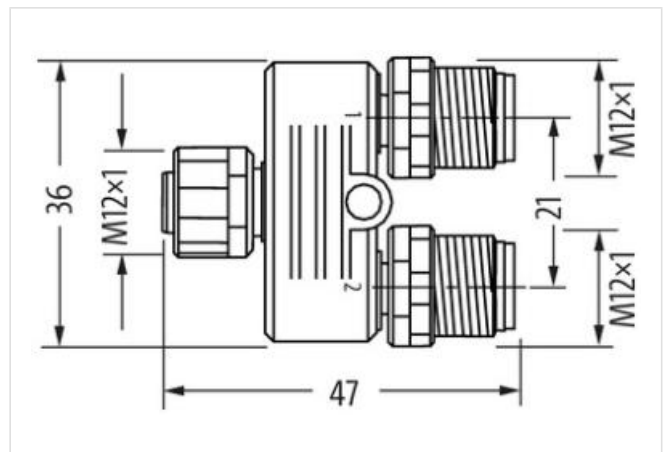
The resistance to aggressive media should be individually tested for your application. Further details on request.

[Link to Product](#)

Illustration



Product may differ from Image



Technical Data

Operating voltage	18...30 V DC
Operating voltage (only UL listed)	max. 30 V DC

Rated surge voltage	0.8 kV
Operating current per contact	max. 4 A
Locking of ports	Screw thread (M12×1 mm) recommended torque 0.6 Nm, self-securing
Protection	IP67 inserted and tightened (EN 60529)

General data

Temperature range	-25...+85 °C
-------------------	--------------