

**M12 male 0° A-cod. IDC**4-pol., 0.25 - 0.5mm<sup>2</sup>, 4 - 5,1mm

Male straight

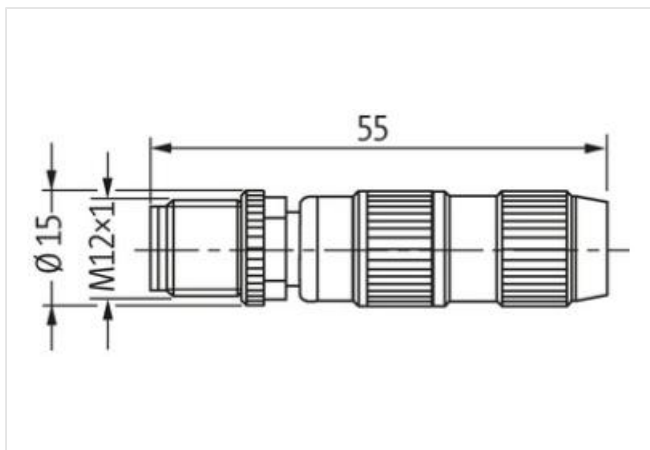
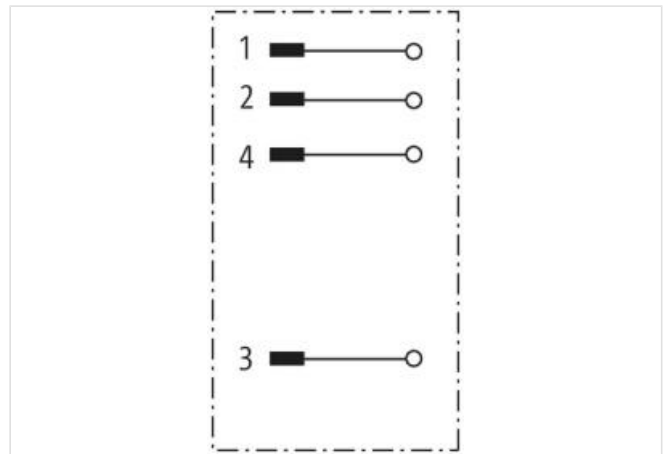
M12, 4-pole

IDC terminals

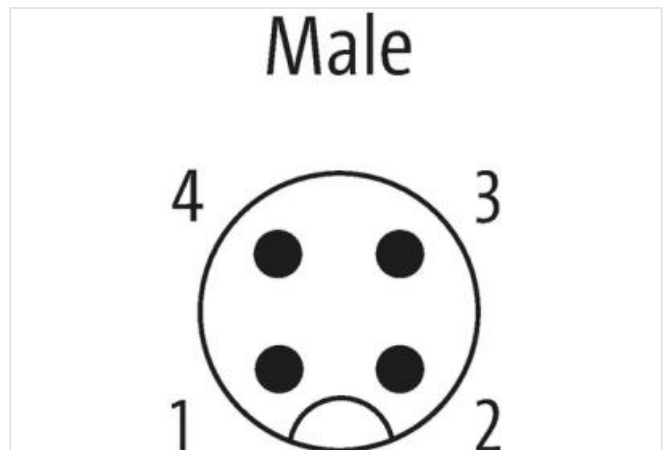
Connection cross section: 0.25...0.5 mm<sup>2</sup>

Art-No. 7005 - M12 Lite - (plastic hexagonal screw) on request

The resistance to aggressive media should be individually tested for your application. Further details on request.

**[Link to Product](#)****Illustration**

Product may differ from Image

**Technical Data**

Operating voltage	max. 32 V AC/DC
Rated surge voltage	0.8 kV
Operating current per contact	max. 4 A
Material group	IEC 60664-1, category III
Locking of ports	Screw thread (M12×1 mm) recommended torque 0.6 Nm, self-securing
Connection cross section	0.25...0.5 mm <sup>2</sup> (conductor diameter min. 0.1 mm)
Sealing range (cable Ø)	4...5.1 mm
Protection	IP67 mounted and tightened
Outer wire Ø	1.2...1.6 mm

**General data**

Temperature range	-25...+85 °C
Dimensions HxWxD	55x15x15 mm