

For new constructions:
Series "E2 Tubes"
R68 ▶ page 6.34

Series R68 classic E2 Tubes

45

igus® E-ChainSystems®

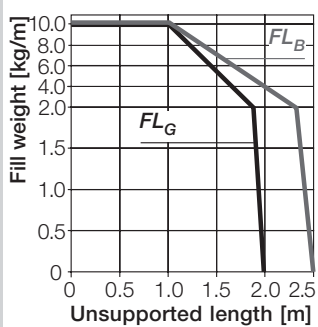


- 1 Fully enclosed
- 2 Excellent protection for cables and hoses against hot chips
- 3 Small pitch for low-noise, smooth operation
- 4 Interior separation with Vertical Separators and full-width shelves
- 5 Removable lids along outer radius
- 6 3 options of mounting brackets

● ● ● Price index

Phone +49- (0) 22 03-96 49-800
Fax +49- (0) 22 03-96 49-222

igus® GmbH
51147 Cologne

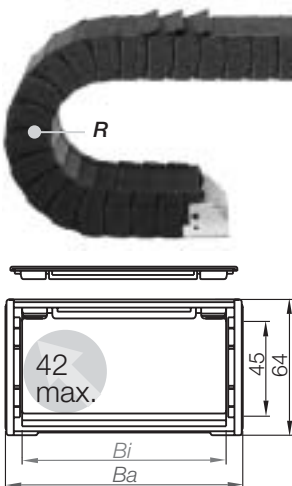
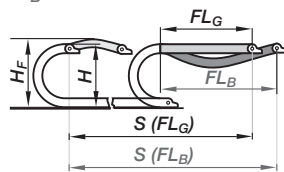


Length of travel S [m]
0 1 2 3 4 5

Unsupported length

FL_G = with straight upper run

FL_B = with permitted sag



R68 classic - snap-open along outer radius

Part No.	B_i [mm]	B_a [mm]	R [mm]	Bending Radii
68.1. <input type="text"/> .0	75	93	100	125 150
68.2. <input type="text"/> .0	115	133	200	225 250
68.3. <input type="text"/> .0	175	196	300	
Radii for all widths!				

Completare con il raggio desiderato (R) es. 68.1. 125.0

Bending radii listed above can be combined with every tube width!



Series R68 classic - fully enclosed E-Tube

Part No. structure

68. 1. 125.0

- Color black
- Bending radius
- Width
- Series

Order example 3,0 m complete E-Tube
(indicate tube-lengths or number of links)

3,0 m (84 links) **Series 68.1.125.0**

+ 2 separators **311** assembled each 2nd link

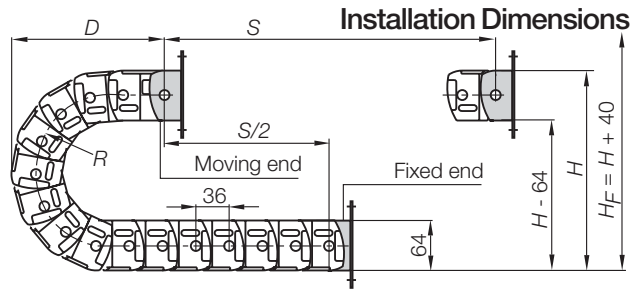
+ 1 set mounting brackets **681.12**

Series R68 classic E2 Tubes

Pitch = 36 mm Links per m = 28 Chain length = $S/2 + K$

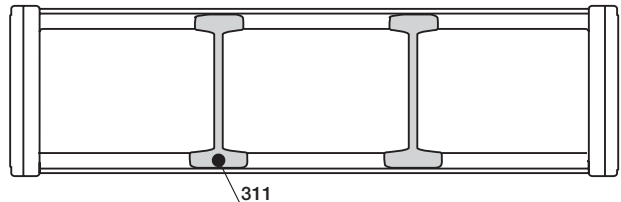
R	100	125	150	200	225	250	300
H	265	315	365	465	515	565	665
D	200	225	250	300	325	350	400
K	500	650	725	875	975	1050	1225

The required clearance height is $H_F = H + 40$ mm (with 2,5 kg/m fill weight). Please consult igus® if space is particularly restricted.



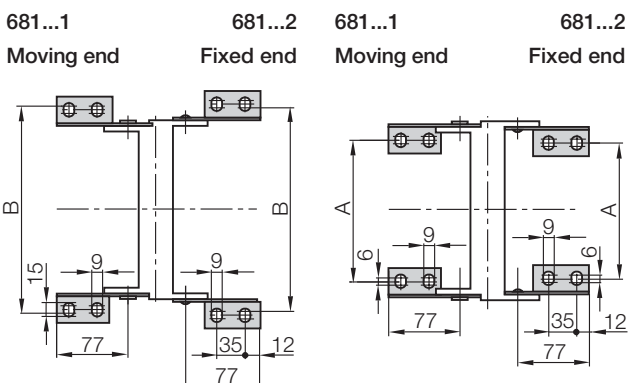
45

E2 Tubes classic
Inner height: 45 mm



Vertical Separator
 unassembled **301**
 assembled **311**

Interior Separation
 (the complete range ▶ 6.34)



681.1
 Moving end (with bore)
 Fixed end (with pin)

681.2
 Steel, two-piece, pivoting - attachment with socket head cap bolt M6 DIN 912-8.8

For E-Chain®	Part No.	Dimension A [mm]	Dimension B [mm]
68.1.	681.12	60	112
68.2.	681.12	100	152
68.3.	681.12	160	212

The following parts are required for attachment of the mounting brackets:

- Socket head cap bolt M6* DIN 912-8.8 4 pieces/set
- Washer 6,3 DIN 125-ST 8 pieces/set
- Hexagon nut M6 DIN 934-8 4 pieces/set

* The length of the socket head cap bolt is dependent on the thickness of the attachment base.

Full set, for both ends:
681. 12

Single-part order:
681. 1
 Mounting bracket with bore
681. 2
 Mounting bracket with pin

Interior separation with full-width shelves and shelves

One-piece, steel mounting bracket, pivoting

Steel mounting bracket, flange, pivoting

Additional Features

For more features ▶ see link below