

Individual mounting

sub-base non "plug-in"	sub-base "plug-in"
------------------------	--------------------

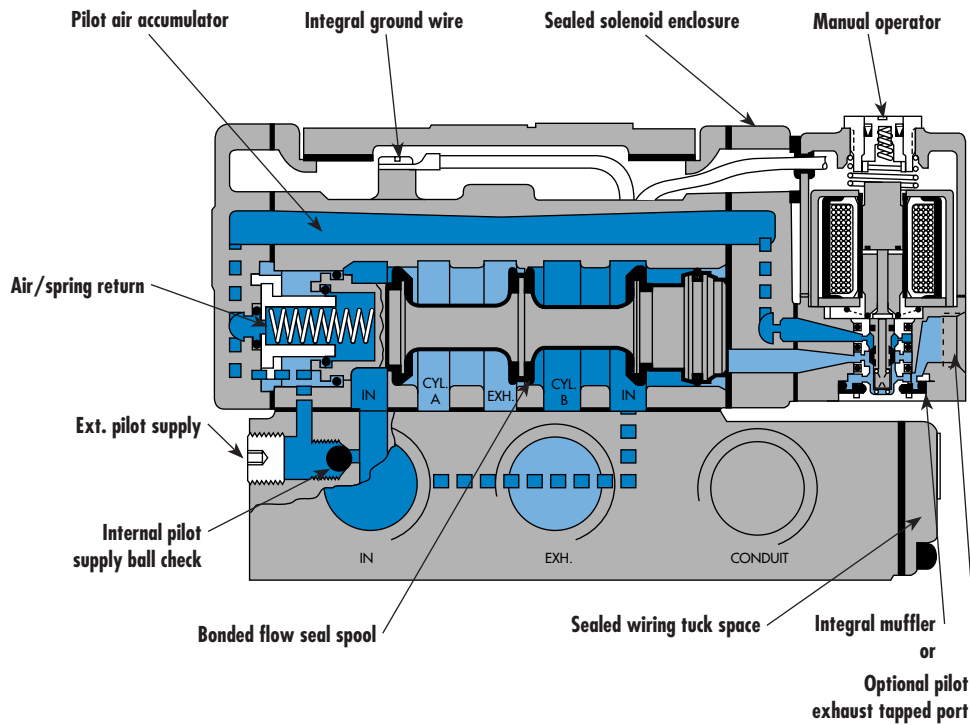
Series

Manifold mounting

sub-base non "plug-in"	sub-base "plug-in"
------------------------	--------------------

35

100



200

55

56

57

58

59

45

700

900

82

6300

**6500**

6600

1300

800

ISO 1

ISO 2

ISO 3

MAC 125A

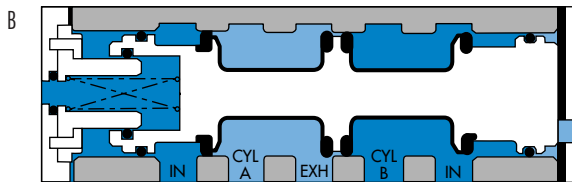
MAC 250A

MAC 500A

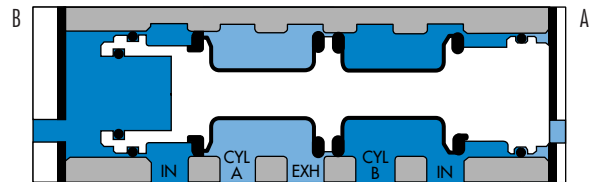
**SERIES FEATURES**

- The patented MACSOLENOID® with its non-burn out feature on AC service.
- A large checked accumulator for consistent shifting on single and double solenoid models.
- A plug-in design that provides for internal or external pilot with or without lights and all electrical and air plumbing in the base — the valve portion is the same.
- Non-lubricated or lubricated service.
- Optional low wattage DC solenoids down to 1 watt.
- Optional indicator lights, and various types of manual operators.
- Non plug-in or external plug-in models are available.

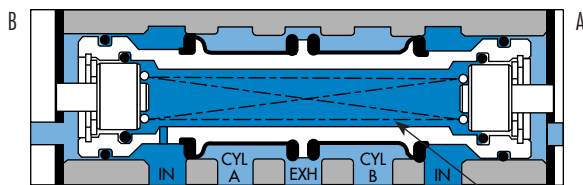
**SPOOL CONFIGURATIONS**



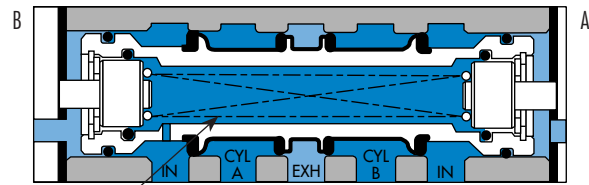
2 POS. SINGLE OPERATOR SPRING RETURN  
B ACTUATED SHOWN



2 POS. DOUBLE OPERATOR  
B ACTUATED SHOWN

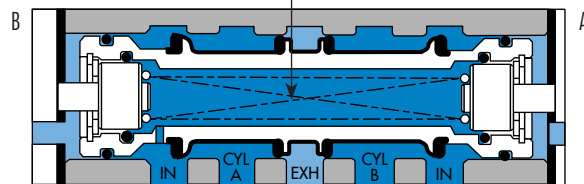


3 POS. OPEN CENTER  
CENTER POSITION SHOWN



3 POS. CLOSED CENTER  
CENTER POSITION SHOWN

AIR/SPRING  
CENTERING



3 POS. PRESSURE CENTER  
CENTER POSITION SHOWN

**VALVE CONFIGURATIONS AVAILABLE**

The versatile 6500 Series provides high flow, extremely fast response, and long life in a compact package and is available in the following configurations:

- 2-Pos., single or double operators (solenoid or remote air).
- 3-Pos., double operator-Closed Center, Open Center or Pressure Center (solenoid or remote air).
- Single pressure or dual pressure.
- Individual base or add-a-unit manifold base.
- Internal pilot or for Vacuum to 25 PSI main valve pressures, external pilot.
- Manual and mechanical operators available.

**REMOTE AIR PILOT OPERATED VALVES**

- A large checked accumulator for air/spring return on single remote air models.
- All piping connections, including the remote air pilot supply, in the base.
- Non-lubricated or lubricated service.

**REMOTE AIR PILOT, PILOT OPERATED VALVES**

These special air versions have the same features as the remote air pilot operated models, but additionally feature:

- A manual operator and indicator.
- Ability to use a pilot signal pressure different from the main valve pressure. Pilot signal can be from 20 to 150 PSIG, regardless of main valve pressure.

**ALL MODELS AVAILABLE WITH SANDWICH TYPE REGULATORS**

Function	Port size	Flow [Max]	Individual mounting	Series
<b>4/2 - 4/3</b>	<b>3/8" - 1/2" - 3/4"</b>	<b>5.1 C<sub>v</sub></b>	sub-base non "plug-in"	

### OPERATIONAL BENEFITS

- Balanced spool, immune to variations of pressure.
- Short stroke with high flow.
- High shifting forces.
- Checked accumulator guarantees maximum pilot pressure.
- Powerful return force thanks to the combination of mechanical and air springs.
- Bonded spool with minimum friction, shifting in a glass-like finished bore.
- Wiping effect eliminates sticking.
- Pilot valve with balanced poppet, high flow, short and consistent response times.

### HOW TO ORDER

Port size	Pilot air	4/2 Single operator	4/2 Double operator	4/3 Closed center	4/3 Open center	4/3 Pressure center
<b>Valve less base</b>		6512B-000-PM- <b>XXYYZZ</b>	6522B-000-PM- <b>XXYYZZ</b>	6532B-000-PM- <b>XXYYZZ</b>	6542B-000-PM- <b>XXYYZZ</b>	6552B-000-PM- <b>XXYYZZ</b>
<b>sub-base</b>	Internal	6512B-131-PM- <b>XXYYZZ</b>	6522B-131-PM- <b>XXYYZZ</b>	6532B-131-PM- <b>XXYYZZ</b>	6542B-131-PM- <b>XXYYZZ</b>	6552B-131-PM- <b>XXYYZZ</b>
<b>3/8" NPTF</b>	External	6512B-141-PM- <b>XXYYZZ</b>	6522B-141-PM- <b>XXYYZZ</b>	6532B-141-PM- <b>XXYYZZ</b>	6542B-141-PM- <b>XXYYZZ</b>	6552B-141-PM- <b>XXYYZZ</b>
<b>sub-base</b>	Internal	6512B-231-PM- <b>XXYYZZ</b>	6522B-231-PM- <b>XXYYZZ</b>	6532B-231-PM- <b>XXYYZZ</b>	6542B-231-PM- <b>XXYYZZ</b>	6552B-231-PM- <b>XXYYZZ</b>
<b>1/2" NPTF</b>	External	6512B-241-PM- <b>XXYYZZ</b>	6522B-241-PM- <b>XXYYZZ</b>	6532B-241-PM- <b>XXYYZZ</b>	6542B-241-PM- <b>XXYYZZ</b>	6552B-241-PM- <b>XXYYZZ</b>
<b>sub-base</b>	Internal	6512B-331-PM- <b>XXYYZZ</b>	6522B-331-PM- <b>XXYYZZ</b>	6532B-331-PM- <b>XXYYZZ</b>	6542B-331-PM- <b>XXYYZZ</b>	6552B-331-PM- <b>XXYYZZ</b>
<b>3/4" NPTF</b>	External	6512B-341-PM- <b>XXYYZZ</b>	6522B-341-PM- <b>XXYYZZ</b>	6532B-341-PM- <b>XXYYZZ</b>	6542B-341-PM- <b>XXYYZZ</b>	6552B-341-PM- <b>XXYYZZ</b>

Note : Above codes shown are for side ports.

### SOLENOID OPERATOR ►

XX Voltage		Y Manual operator	ZZ Electrical connection
11	120/60, 110/50	1 Non-locking	JB Rectangular connector
12	240/60, 220/50	2 Locking	JD Rectangular connector with light
22	24/60, 24/50		JA Square connector
59	24 VDC (2.5 W)		JC Square connector with light
87	24 VDC (17.1 W)		BA Flying leads (18")
61	24 VDC (8.5 W)		

\* Other options available, see page 357.

### OPTIONS

6512B-XXX-PM-**XXYYZZ**

- For piped pilot exhaust replace M by P.
- For dual pressure valve, replace by 4.

### MODIFICATIONS

MOD. N°	DESCRIPTION	MODEL AVAILABILITY
<b>0002</b>	Bottom inlet, exh. & cyl. ports (no side ports)	Available on individual base 3/8" & 1/2" only
<b>0004</b>	Full side porting and additional bottom inlet, exh. & cyl. ports	Available on individual base 3/8" only



35  
100  
200  
55  
56  
57  
58  
59

45  
700

900  
82

6300  
**6500**

6600  
1300  
800

ISO 1  
ISO 2  
ISO 3  
MAC 125A  
MAC 250A  
MAC 500A

Note : Photo shown with JC connector.

- Note :
- The valve less base is always the same for internal or external pilot. These options are effected in the base.
  - Bottom ports : Refer to modification table.
  - To order bases without the valve, choose the base from the above table, then add 6500B as a prefix. Example 6500B-131.

**TECHNICAL DATA**

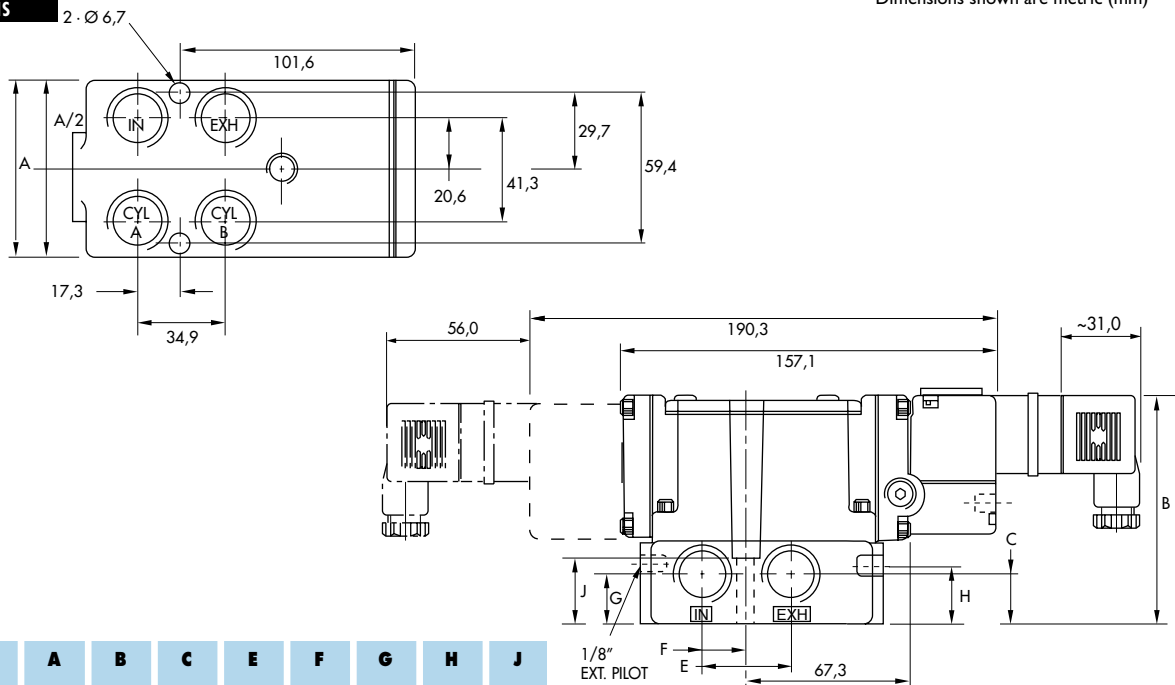
<b>Fluid :</b>	Compressed air, vacuum, inert gases		
<b>Pressure range :</b>	Internal pilot : single operator and 3 positions : 25-150 PSI	double operator : 10-150 PSI	
	External pilot : vacuum to 150 PSI		
<b>Pilot pressure :</b>	Single operator and 3 positions : 25-150 PSI Double operator : 10-150 PSI		
<b>Lubrication :</b>	Not required, if used select a medium aniline point lubricant (between 180°F to 210°F)		
<b>Filtration :</b>	40 µ		
<b>Temperature range :</b>	0°F to 120°F (-18°C to 50°C)		
<b>Flow (at 6 bar, ΔP=1bar) :</b>	3/8" : (4.5 C <sub>v</sub> ), 1/2" : (5.0 C <sub>v</sub> ), 3/4" : (5.1 C <sub>v</sub> )		
<b>Coil :</b>	Epoxy encapsulated - class A wires - Continuous duty		
<b>Voltage range :</b>	-15% to +10% of nominal voltage		
<b>Protection :</b>	Consult factory		
<b>Power :</b>	~ Inrush : 14.8 VA	Holding : 10.9 VA	
	= 1 to 17.1 W		
<b>Response times :</b>	24 VDC (8.5 W)	Energize : 12 ms	De-energize : 12 ms
	120/60	Energize : 9-14 ms	De-energize : 11-18 ms

Spare parts : Solenoid operator (power ≥ 4 W) : D1-XXAA, cover mounting screws 35206 and seal 16234.  
 • Pilot valve : PME-XXYZZ, including seal 16337. • Pressure seal between valve and base : 16246.  
 • Mounting screw valve to base (x4) : 32201.

Options : • BSPP threads.

**DIMENSIONS**

Dimensions shown are metric (mm)



Port size	A	B	C	E	F	G	H	J
<b>3/8" - 1/2"</b>	69.6	97.4	18.3	36.0	17.9	19.0	23.6	25.4
<b>3/4"</b>	94.5	109.3	17.3	40.1	19.2	20.8	35.9	36.6

Function	Port size	Flow [Max]	Individual mounting	Series
<b>4/2 - 4/3</b>	<b>3/8" - 1/2" - 3/4"</b>	<b>5.1 C<sub>v</sub></b>	sub-base "plug-in"	

### OPERATIONAL BENEFITS

- Balanced spool, immune to variations of pressure.
- Short stroke with high flow.
- High shifting forces.
- Checked accumulator guarantees maximum pilot pressure.
- Powerful return force thanks to the combination of mechanical and air springs.
- Bonded spool with minimum friction, shifting in a glass-like finished bore.
- Wiping effect eliminates sticking.
- Pilot valve with balanced poppet, high flow, short and consistent response times.



35  
100  
200  
55  
56  
57  
58  
59

### HOW TO ORDER

Port size	Pilot air	4/2 Single operator	4/2 Double operator	4/3 Closed center	4/3 Open center	4/3 Pressure center
<b>Valve less base</b>		6511B-000-PM- <b>XXY</b> DA	6521B-000-PM- <b>XXY</b> DA	6531B-000-PM- <b>XXY</b> DA	6541B-000-PM- <b>XXY</b> DA	6551B-000-PM- <b>XXY</b> DA
<b>sub-base</b>	Internal	6511B-111-PM- <b>XXY</b> DA	6521B-111-PM- <b>XXY</b> DA	6531B-111-PM- <b>XXY</b> DA	6541B-111-PM- <b>XXY</b> DA	6551B-111-PM- <b>XXY</b> DA
<b>3/8" NPTF</b>	External	6511B-121-PM- <b>XXY</b> DA	6521B-121-PM- <b>XXY</b> DA	6531B-121-PM- <b>XXY</b> DA	6541B-121-PM- <b>XXY</b> DA	6551B-121-PM- <b>XXY</b> DA
<b>sub-base</b>	Internal	6511B-211-PM- <b>XXY</b> DA	6521B-211-PM- <b>XXY</b> DA	6531B-211-PM- <b>XXY</b> DA	6541B-211-PM- <b>XXY</b> DA	6551B-211-PM- <b>XXY</b> DA
<b>1/2" NPTF</b>	External	6511B-221-PM- <b>XXY</b> DA	6521B-221-PM- <b>XXY</b> DA	6531B-221-PM- <b>XXY</b> DA	6541B-221-PM- <b>XXY</b> DA	6551B-221-PM- <b>XXY</b> DA
<b>sub-base</b>	Internal	6511B-311-PM- <b>XXY</b> DA	6521B-311-PM- <b>XXY</b> DA	6531B-311-PM- <b>XXY</b> DA	6541B-311-PM- <b>XXY</b> DA	6551B-311-PM- <b>XXY</b> DA
<b>3/4" NPTF</b>	External	6511B-321-PM- <b>XXY</b> DA	6521B-321-PM- <b>XXY</b> DA	6531B-321-PM- <b>XXY</b> DA	6541B-321-PM- <b>XXY</b> DA	6551B-321-PM- <b>XXY</b> DA

Note : Above codes shown are for side ports without lights.

### SOLENOID OPERATOR ➤

**XX Y DA\***

XX Voltage	Y Manual operator
<b>11</b> 120/60, 110/50	<b>1</b> Non-locking
<b>12</b> 240/60, 220/50	<b>2</b> Locking
<b>22</b> 24/60, 24/50	
<b>59</b> 24 VDC (2.5 W)	
<b>87</b> 24 VDC (17.1 W)	
<b>61</b> 24 VDC (8.5 W)	

\* Other options available, see page 357.

### OPTIONS

6511B-XXX-PM- <b>XXY</b> DA
- For piped pilot exhaust replace M by P.
- For dual pressure valve replace by 4 (no light), by 5 (sgl. light), by 6 (dbl. light).
- For lights on base, replace by 2 (sgl. light), by 3 (dbl. light).
- For lights on valve body, replace by 3.

MODIFICATIONS		
MOD. N°	DESCRIPTION	MODEL AVAILABILITY
<b>0002</b>	Bottom inlet, exh. & cyl. ports (no side ports)	Available on individual base 3/8" & 1/2" only
<b>0004</b>	Full side porting and additional bottom inlet, exh. & cyl. ports	Available on individual base 3/8" only

- Note :
- The valve less base is always the same for internal or external pilot. These options are effected in the base.
  - Bottom ports : Refer to modification table.
  - To order bases without the valve, choose the base from the above table, then add 6500B as a prefix. Example 6500B-111.

45  
700  
900  
82  
6300  
6500

6600  
1300  
800  
ISO 1  
ISO 2  
ISO 3  
MAC 125A  
MAC 250A  
MAC 500A

**TECHNICAL DATA**

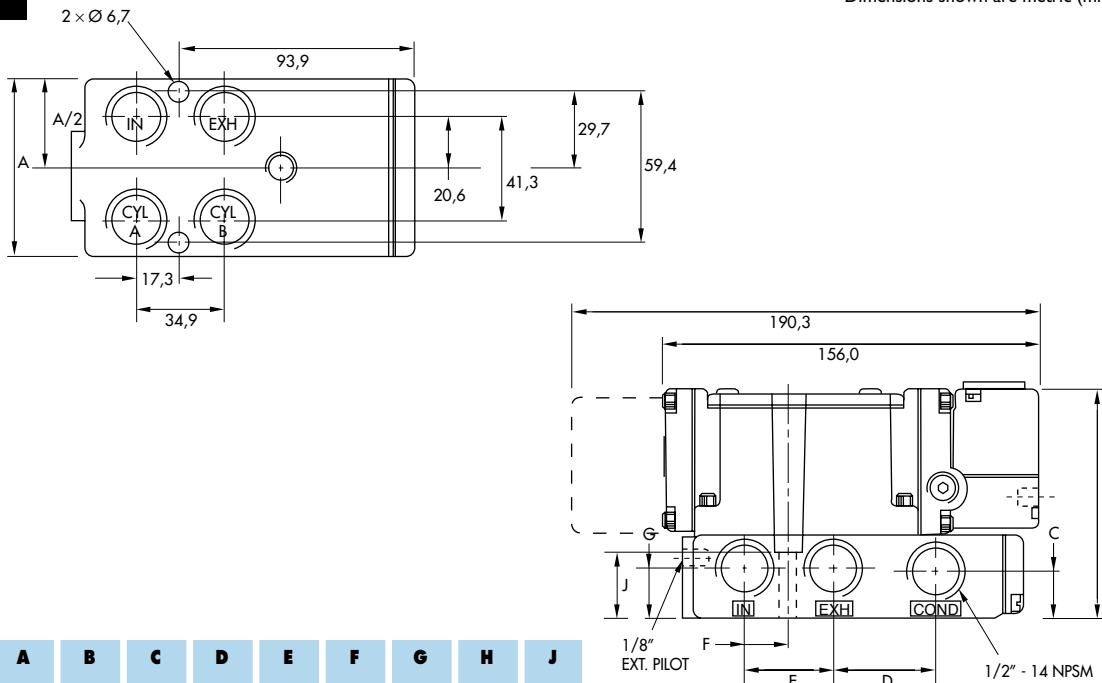
<b>Fluid :</b>	Compressed air, vacuum, inert gases		
<b>Pressure range :</b>	Internal pilot : single operator and 3 positions : 25-150 PSI	double operator : 10-150 PSI	
	External pilot : vacuum to 150 PSI		
<b>Pilot pressure :</b>	Single operator and 3 positions : 25-150 PSI Double operator : 10-150 PSI		
<b>Lubrication :</b>	Not required, if used select a medium aniline point lubricant (between 180°F to 210°F)		
<b>Filtration :</b>	40 µ		
<b>Temperature range :</b>	0°F to 120°F (-18°C to 50°C)		
<b>Flow (at 6 bar, ΔP=1bar) :</b>	3/8" : (4.5 C <sub>v</sub> ), 1/2" : (5.0 C <sub>v</sub> ), 3/4" : (5.1 C <sub>v</sub> )		
<b>Coil :</b>	Epoxy encapsulated - class A wires - Continuous duty		
<b>Voltage range :</b>	-15% to +10% of nominal voltage		
<b>Protection :</b>	Consult factory		
<b>Power :</b>	~ Inrush : 14.8 VA Holding : 10.9 VA = 1 to 17.1 W		
<b>Response times :</b>	24 VDC (8.5 W)	Energize : 12 ms	De-energize : 12 ms
	120/60	Energize : 9-14 ms	De-energize : 11-18 ms

- Spare parts :
- Solenoid operator (power ≥ 4 W) : D1-XXBE, cover mounting screws 35206 and seal 16234.
  - Pilot valve : PME-XXYDA-BE, including seal 16337. • Pressure seal between valve and base : 16246.
  - Mounting screw valve to base (x4) : 32201.

- Options :
- BSPP threads.

**DIMENSIONS**

Dimensions shown are metric (mm)



Port size	A	B	C	D	E	F	G	H	J
<b>3/8" - 1/2"</b>	69.6	97.4	18.3	40.6	36.0	17.9	19.0	23.6	25.4
<b>3/4"</b>	94.5	109.3	17.3	46.7	40.1	19.2	20.8	35.9	36.6

Function	Port size	Flow (Max)	Manifold mounting	Series
<b>4/2 - 4/3</b>	<b>3/8" - 1/2" - 3/4"</b>	<b>5.1 C<sub>v</sub></b>	sub-base non "plug-in"	

### OPERATIONAL BENEFITS

- Balanced spool, immune to variations of pressure.
- Short stroke with high flow.
- High shifting forces.
- Checked accumulator guarantees maximum pilot pressure.
- Powerful return force thanks to the combination of mechanical and air springs.
- Bonded spool with minimum friction, shifting in a glass-like finished bore.
- Wiping effect eliminates sticking.
- Pilot valve with balanced poppet, high flow, short and consistent response times.



35  
100  
200  
55  
56  
57  
58  
59

### HOW TO ORDER

Port size	Pilot air	4/2 Single operator	4/2 Double operator	4/3 Closed center	4/3 Open center	4/3 Pressure center
<b>Valve less base</b>		6512B-000-PM- <b>XXYYZZ</b>	6522B-000-PM- <b>XXYYZZ</b>	6532B-000-PM- <b>XXYYZZ</b>	6542B-000-PM- <b>XXYYZZ</b>	6552B-000-PM- <b>XXYYZZ</b>
<b>sub-base</b>	Internal	6512B-431-PM- <b>XXYYZZ</b>	6522B-431-PM- <b>XXYYZZ</b>	6532B-431-PM- <b>XXYYZZ</b>	6542B-431-PM- <b>XXYYZZ</b>	6552B-431-PM- <b>XXYYZZ</b>
<b>3/8" NPTF</b>	External	6512B-441-PM- <b>XXYYZZ</b>	6522B-441-PM- <b>XXYYZZ</b>	6532B-441-PM- <b>XXYYZZ</b>	6542B-441-PM- <b>XXYYZZ</b>	6552B-441-PM- <b>XXYYZZ</b>
<b>sub-base</b>	Internal	6512B-531-PM- <b>XXYYZZ</b>	6522B-531-PM- <b>XXYYZZ</b>	6532B-531-PM- <b>XXYYZZ</b>	6542B-531-PM- <b>XXYYZZ</b>	6552B-531-PM- <b>XXYYZZ</b>
<b>1/2" NPTF</b>	External	6512B-541-PM- <b>XXYYZZ</b>	6522B-541-PM- <b>XXYYZZ</b>	6532B-541-PM- <b>XXYYZZ</b>	6542B-541-PM- <b>XXYYZZ</b>	6552B-541-PM- <b>XXYYZZ</b>
<b>sub-base</b>	Internal	6512B-631-PM- <b>XXYYZZ</b>	6522B-631-PM- <b>XXYYZZ</b>	6532B-631-PM- <b>XXYYZZ</b>	6542B-631-PM- <b>XXYYZZ</b>	6552B-631-PM- <b>XXYYZZ</b>
<b>3/4" NPTF</b>	External	6512B-641-PM- <b>XXYYZZ</b>	6522B-641-PM- <b>XXYYZZ</b>	6532B-641-PM- <b>XXYYZZ</b>	6542B-641-PM- <b>XXYYZZ</b>	6552B-641-PM- <b>XXYYZZ</b>

Note : Above codes shown are for side cylinder ports.

### SOLENOID OPERATOR ►

**XX Y ZZ\***

XX Voltage	Y Manual operator	ZZ Electrical connection
<b>11</b> 120/60, 110/50	<b>1</b> Non-locking	<b>JB</b> Rectangular connector
<b>12</b> 240/60, 220/50	<b>2</b> Locking	<b>JD</b> Rectangular connector with light
<b>22</b> 24/60, 24/50		<b>JA</b> Square connector
<b>59</b> 24 VDC (2.5 W)		<b>JC</b> Square connector with light
<b>87</b> 24 VDC (17.1 W)		<b>BA</b> Flying leads (18")
<b>61</b> 24 VDC (8.5 W)		

Note : Photo shown with JC connector.

\* Other options available, see page 357.

### OPTIONS

6512B-XXX-PM-**XXYYZZ**

- For piped pilot exhaust replace M by P.
- For dual pressure valve, replace by 4.

MODIFICATIONS		
MOD. N°	DESCRIPTION	MODEL AVAILABILITY
<b>0112</b>	Side inlet & exhaust with bottom cyl. ports (No end cyl. ports)	Available on all manifold models
<b>0210</b>	Porting as ordered in model number plus an additional bottom inlet	Available on all manifold models
<b>0364</b>	Sgl. pressure — side inlet & exh. and additional bottom inlet with bottom cyl. ports (No end cyl. ports) DUAL PRESSURE — Same as sgl. pressure except with two bottom inlets.	Available on all manifold models

- Note :
- The valve less base is always the same for internal or external pilot. These options are effected in the manifold.
  - Bottom ports : Refer to modification table.
  - To order manifolds without the valve, choose the manifold from the above table, then add 6500B as a prefix. Example 6500B-431.

45  
700  
900  
82  
6300  
6500  
6600  
1300  
800  
ISO 1  
ISO 2  
ISO 3  
MAC 125A  
MAC 250A  
MAC 500A

**TECHNICAL DATA**

<b>Fluid :</b>	Compressed air, vacuum, inert gases		
<b>Pressure range :</b>	Internal pilot : single operator and 3 positions : 25-150 PSI	double operator : 10-150 PSI	
	External pilot : vacuum to 150 PSI		
<b>Pilot pressure :</b>	Single operator and 3 positions : 25-150 PSI Double operator : 10-150 PSI		
<b>Lubrication :</b>	Not required, if used select a medium aniline point lubricant (between 180°F to 210°F)		
<b>Filtration :</b>	40 µ		
<b>Temperature range :</b>	0°F to 120°F (-18°C to 50°C)		
<b>Flow (at 6 bar, ΔP=1bar) :</b>	3/8" : (4.5 C <sub>v</sub> ), 1/2" : (5.0 C <sub>v</sub> ), 3/4" : (5.1 C <sub>v</sub> )		
<b>Coil :</b>	Epoxy encapsulated - class A wires - Continuous duty		
<b>Voltage range :</b>	-15% to +10% of nominal voltage		
<b>Protection :</b>	Consult factory		
<b>Power :</b>	~ Inrush : 14.8 VA	Holding : 10.9 VA	
	= 1 to 17.1 W		
<b>Response times :</b>	24 VDC (8.5 W)	Energize : 12 ms	De-energize : 12 ms
	120/60	Energize : 9-14 ms	De-energize : 11-18 ms

Spare parts :

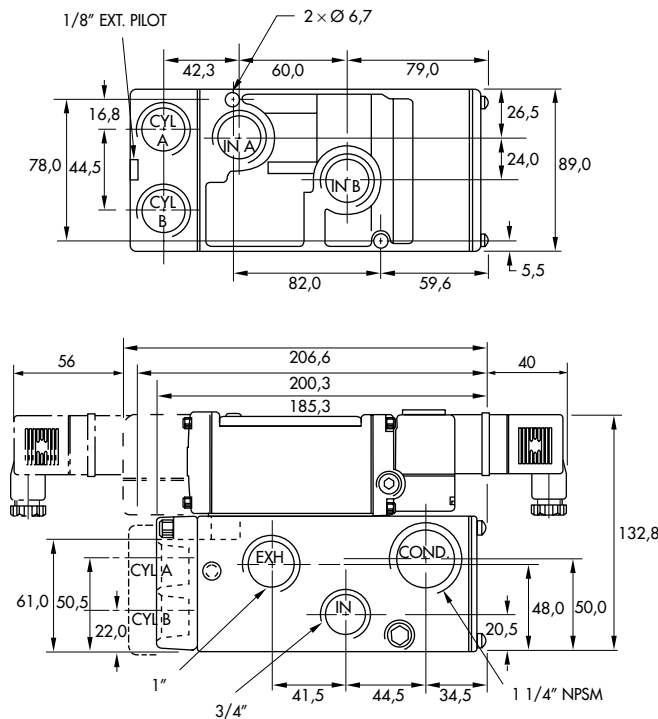
- Solenoid operator (power ≥ 4 W) : D1-XXAA, cover mounting screws 35206 and seal 16234.
- Pilot valve : PME-XXYZZ, including seal 16337. • Pressure seal between valve and base : 16246.
- Mounting screw valve to base (x4) : 32201. • Tie-rod (x2) : 19540. • Fastening kit : N-65002-01
- Inlet isolator : 28309. • Exhaust isolator : 28310. • Blank station cover plate : N-65009.

Options :

- BSPP threads.

**DIMENSIONS**

Dimensions shown are metric (mm)



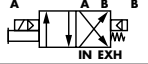
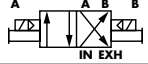
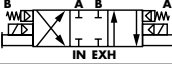




Function	Port size	Flow [Max]	Manifold mounting	Series
<b>4/2 - 4/3</b>	<b>3/8" - 1/2" - 3/4"</b>	<b>5.1 C<sub>v</sub></b>	sub-base "plug-in"	

**OPERATIONAL BENEFITS**

- Balanced spool, immune to variations of pressure.
- Short stroke with high flow.
- High shifting forces.
- Checked accumulator guarantees maximum pilot pressure.
- Powerful return force thanks to the combination of mechanical and air springs.
- Bonded spool with minimum friction, shifting in a glass-like finished bore.
- Wiping effect eliminates sticking.
- Pilot valve with balanced poppet, high flow, short and consistent response times.

**HOW TO ORDER**

Port size	Pilot air	4/2 Single operator	4/2 Double operator	4/3 Closed center	4/3 Open center	4/3 Pressure center
						
<b>Valve less base</b>		6511B-000-PM- <b>XXY</b> DA	6521B-000-PM- <b>XXY</b> DA	6531B-000-PM- <b>XXY</b> DA	6541B-000-PM- <b>XXY</b> DA	6551B-000-PM- <b>XXY</b> DA
<b>sub-base</b>	Internal	6511B-411-PM- <b>XXY</b> DA	6521B-411-PM- <b>XXY</b> DA	6531B-411-PM- <b>XXY</b> DA	6541B-411-PM- <b>XXY</b> DA	6551B-411-PM- <b>XXY</b> DA
<b>3/8" NPTF</b>	External	6511B-421-PM- <b>XXY</b> DA	6521B-421-PM- <b>XXY</b> DA	6531B-421-PM- <b>XXY</b> DA	6541B-421-PM- <b>XXY</b> DA	6551B-421-PM- <b>XXY</b> DA
<b>sub-base</b>	Internal	6511B-511-PM- <b>XXY</b> DA	6521B-511-PM- <b>XXY</b> DA	6531B-511-PM- <b>XXY</b> DA	6541B-511-PM- <b>XXY</b> DA	6551B-511-PM- <b>XXY</b> DA
<b>1/2" NPTF</b>	External	6511B-521-PM- <b>XXY</b> DA	6521B-521-PM- <b>XXY</b> DA	6531B-521-PM- <b>XXY</b> DA	6541B-521-PM- <b>XXY</b> DA	6551B-521-PM- <b>XXY</b> DA
<b>sub-base</b>	Internal	6511B-611-PM- <b>XXY</b> DA	6521B-611-PM- <b>XXY</b> DA	6531B-611-PM- <b>XXY</b> DA	6541B-611-PM- <b>XXY</b> DA	6551B-611-PM- <b>XXY</b> DA
<b>3/4" NPTF</b>	External	6511B-621-PM- <b>XXY</b> DA	6521B-621-PM- <b>XXY</b> DA	6531B-621-PM- <b>XXY</b> DA	6541B-621-PM- <b>XXY</b> DA	6551B-621-PM- <b>XXY</b> DA

Note : Above codes shown are for side cylinder ports without lights.

**SOLENOID OPERATOR** ➤

<b>XX Voltage</b>	<b>Y Manual operator</b>
<b>11</b> 120/60, 110/50	<b>1</b> Non-locking
<b>12</b> 240/60, 220/50	<b>2</b> Locking
<b>22</b> 24/60, 24/50	
<b>59</b> 24 VDC (2.5 W)	
<b>87</b> 24 VDC (17.1 W)	
<b>61</b> 24 VDC (8.5 W)	

\* Other options available, see page 357.

**OPTIONS**

6511B-XXX-PM- <b>XXY</b> DA	- For piped pilot exhaust replace M by P.	- For dual pressure valve replace by 4 (no light), by 5 (sgl. light), by 6 (dbl. light).
	- For lights on valve body, replace by 3.	- For lights on manifold, replace by 2 (sgl. light), by 3 (dbl. light).

<b>MODIFICATIONS</b>		
MOD. N°	DESCRIPTION	MODEL AVAILABILITY
<b>0112</b>	Side inlet & exhaust with bottom cyl. ports (No end cyl. ports)	Available on all manifold models
<b>0210</b>	Porting as ordered in model number plus an additional bottom inlet	Available on all manifold models
<b>0364</b>	Sgl. pressure — side inlet & exh. and additional bottom inlet with bottom cyl. ports (No end cyl. ports) DUAL PRESSURE — Same as sgl. pressure except with two bottom inlets.	Available on all manifold models

Note : 1. The valve less base is always the same for internal or external pilot. These options are effected in the manifold.  
 2. Bottom ports : Refer to modification table.  
 3. To order manifolds without the valve, choose the manifold from the above table, then add 6500B as a prefix. Example 6500B-411.

35  
100  
200  
55  
56  
57  
58  
59  
45  
700  
900  
82  
6300  
**6500**  
6600  
1300  
800  
ISO 1  
ISO 2  
ISO 3  
MAC 125A  
MAC 250A  
MAC 500A



**TECHNICAL DATA**

<b>Fluid :</b>	Compressed air, vacuum, inert gases		
<b>Pressure range :</b>	Internal pilot : single operator and 3 positions : 25-150 PSI	double operator : 10-150 PSI	
	External pilot : vacuum to 150 PSI		
<b>Pilot pressure :</b>	Single operator and 3 positions : 25-150 PSI Double operator : 10-150 PSI		
<b>Lubrication :</b>	Not required, if used select a medium aniline point lubricant (between 180°F to 210°F)		
<b>Filtration :</b>	40 µ		
<b>Temperature range :</b>	0°F to 120°F (-18°C to 50°C)		
<b>Flow (at 6 bar, ΔP=1bar) :</b>	3/8" : (4.5 C <sub>v</sub> ), 1/2" : (5.0 C <sub>v</sub> ), 3/4" : (5.1 C <sub>v</sub> )		
<b>Coil :</b>	Epoxy encapsulated - class A wires - Continuous duty		
<b>Voltage range :</b>	-15% to +10% of nominal voltage		
<b>Protection :</b>	Consult factory		
<b>Power :</b>	~ Inrush : 14.8 VA	Holding : 10.9 VA	
	= 1 to 17.1 W		
<b>Response times :</b>	24 VDC (8.5 W)	Energize : 12 ms	De-energize : 12 ms
	120/60	Energize : 9-14 ms	De-energize : 11-18 ms

Spare parts :

- Solenoid operator (power ≥ 4 W) : D1-XXBE, cover mounting screws 35206 and seal 16234.
- Pilot valve : PME-XXYDA-BE, including seal 16337. • Pressure seal between valve and base : 16246.
- Mounting screw valve to base (x4) : 32201. • Tie-rod (x2) : 19540. • Fastening kit : N-65002-01
- Inlet isolator : 28309. • Exhaust isolator : 28310. • Blank station cover plate : N-65009.

Options :

- BSPP threads.

**DIMENSIONS**

Dimensions shown are metric (mm)

