

Catalogue

# Fluid Control

Solutions for industrial  
and life science applications



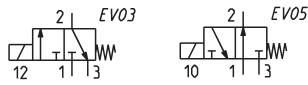
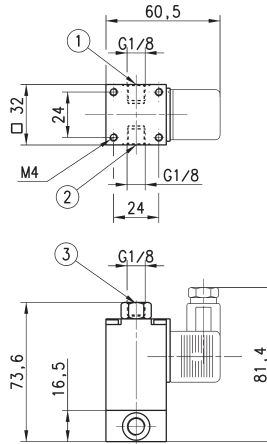
### 3/2-way NC and NO solenoid valve, G1/8 - Mod. 638 and Mod. 648



These valves are particularly suitable for operating single-acting cylinders or for use as signal valves.

In the mod. 648-150-A6\* (NO) connections 1 and 3 are inverted, while the max operating pressure is 6 bar in case a solenoid A6B, A6C, A6D, A6E is chosen.

\* = choose the solenoid voltage according to the CODING EXAMPLE



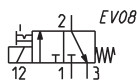
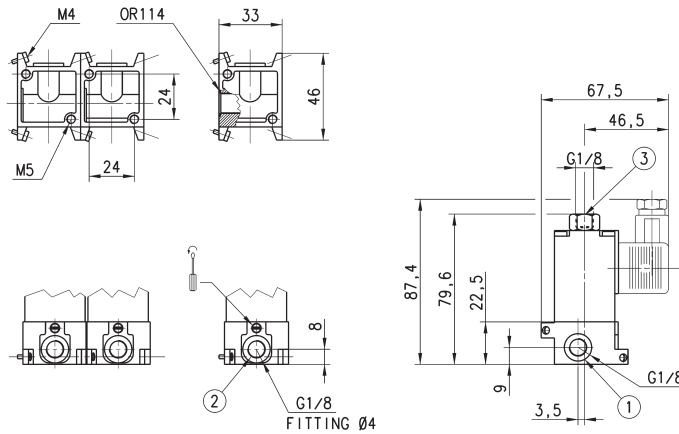
Mod.	Ports	Function	Orifice Ø (mm)	kv (l/min)	Qn (NL/min)	Pressure min-max (bar)	Symbol
638-150-A6*	G1/8	NC	2	2.0	130	0 ÷ 10 [ DC ]	EV03
648-150-A6*	G1/8	NO	2	1.2	80	0 ÷ 8 [ DC ] - 0 ÷ 6 [ AC ]	EV05

### 3/2-way NC solenoid valve - Mod. 638M and Mod. 63CM



These solenoid valves are equipped with a manual override and are available with G1/8 inlet ports and with G1/8 outlets or with a diameter 4 cartridge. The body is supplied complete with screws and O-ring.

\* = choose the solenoid voltage according to the CODING EXAMPLE



Mod.	Inlet	Outlet	Orifice Ø (mm)	kv (l/min)	Qn (NL/min)	Pressure min-max (bar)
638M-101-A6*	G1/8	G1/8	2	1.8	120	0 ÷ 10
63CM-101-A6*	G1/8	cartridge Ø 4	2	1.6	108	0 ÷ 10