



## Servo-assisted 2/2 way diaphragm valve

- Servo-assisted diaphragm with diameter of up to DN50
- Vibration-proof, central screwed coil system
- Damped design for quiet closing
- Service-friendly manual override
- Explosion-proof versions



Product variants described in the data sheet may differ from the product presentation and description.

### Can be combined with



**Type 2518**  
Cable Plug  
DIN EN 175301 - 803 -  
Form A

### Type description

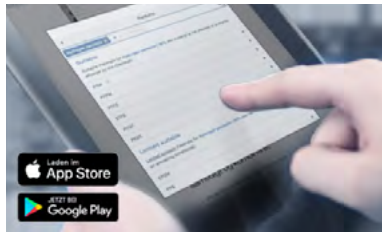
The 6281 valve is a servo-assisted solenoid valve of the S.EV series. A minimum differential pressure is always required for the function of the valve. Various diaphragm material combinations and methods of operation are available depending on the application. The standard brass housing satisfies all European drinking water requirements. Dezincification-resistant brass is available for other markets. The housing offering is rounded out by a stainless steel version. For reduced energy requirement, all coils can be delivered with electronic power reduction. The valve can be equipped with manual override for easy maintenance and commissioning. In combination with a plug in accordance with DIN EN 175301 - 803 Form A, the valves satisfy protection class IP65 – in combination with a stainless steel housing NEMA 4X.

### 3. Approvals

Explosion-proof approvals	
ATEX:EPS 18 ATEX 1232 X II 2G Ex mb IIC T4 Gb II 2D Ex mb IIIC T130 °C Db II 2G Ex eb mb IIC T4 Gb II 2D Ex mb tb IIIC T130 °C Db	IECEX: IECEx EPS 18.0110 X Ex mb IIC T4 Gb Ex mb IIIC T130 °C Db Ex eb mb IIC T4 Gb Ex mb tb IIIC T130 °C Db

### 4. Materials

#### 4.1. Chemical Resistance Chart – Bürkert resistApp

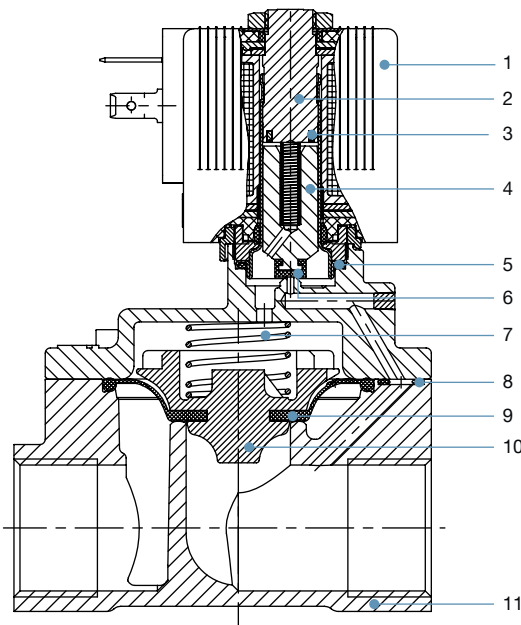


#### Bürkert resistApp – Chemical Resistance Chart

You want to ensure the reliability and durability of the materials in your individual application case? Verify your combination of media and materials on our website or in our resistApp.

[Start Chemical Resistance Check](#)

#### 4.2. Material specifications standard version



No.	Element	Material
1	Coil	Polyamide <sup>1.)</sup> or Epoxy <sup>2.)</sup>
2	Stopper	1.4113
3	Shading ring	Cu (brass version) Ag (stainless steel version)
4	Magnetic core	1.4113
5	O-rings	NBR, FKM, EPDM
6	Core seal	NBR, FKM, EPDM
7	Spring	1.4310
8	O-rings	NBR, FKM, EPDM
9	Diaphragm	NBR, FKM, EPDM
10	Diaphragmholder	PPSGF40, DN50: Brass and stainless steel
11	Valve body	Brass, conforming to DIN 50930-6 or stainless steel 1.4408 (CF8M)

1.) With NBR/EPDM seal

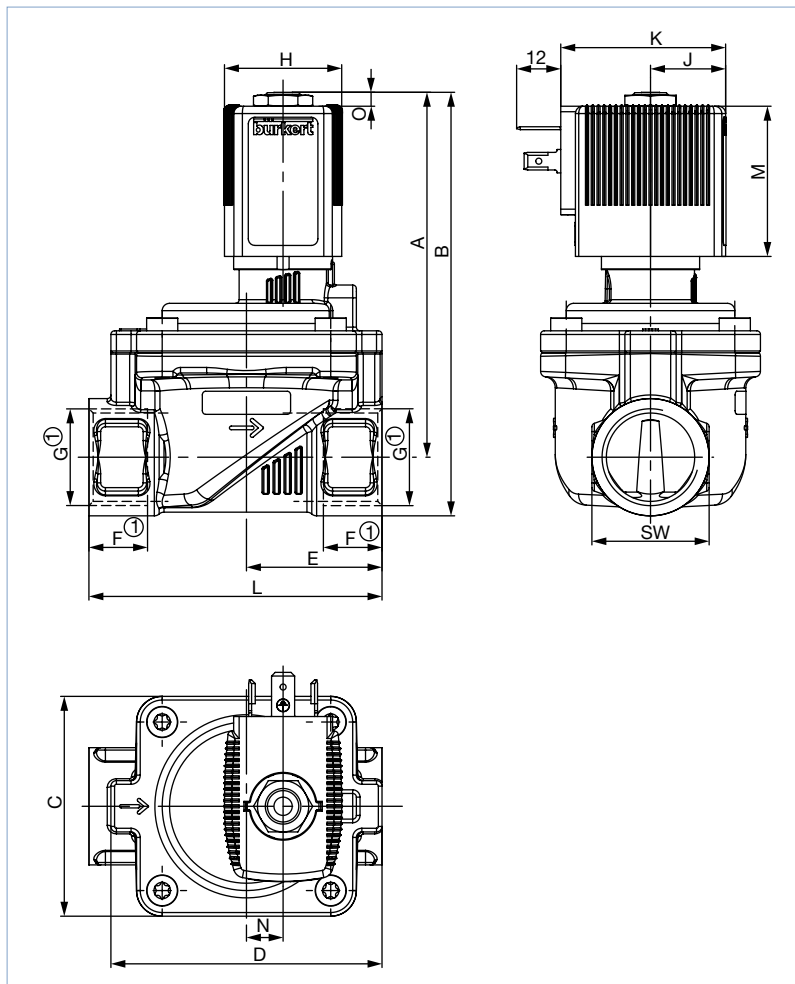
2.) With FKM seal

## 5. Dimensions

### 5.1. Standard version

**Note:**

- Dimensions in mm
- The dimensions F1 and G1 apply to G-threads
- The dimensions F2 and G2 apply to NPT-threads
- The dimensions F3 and G3 apply to RC-threads



Coil size	H	J	K	M	O
5	32	20.5	45	41	3.4
6	40	23.5	51	41.4	3.8

DN	A	B	C	D	E	G		NPT		Rc		L	SW	N
						F1	G1	F2	G2	F3	G3			
10 <sup>1)</sup>	83.1	94.1	32	44	22	12	G ¼	10	NPT ¼	-	-	50	22	-
	85.1	98.6			24.5	14	G ½	13.7	NPT ½	-	-			
10 <sup>2)</sup>	83.6	94.6	32	44	22	12	G ¼	10	NPT ¼	-	-	50	22	-
	85.6	99.1			24.5	14	G ½	13.7	NPT ½	-	-			
13 <sup>1)</sup>	91.1	104.6	42	54.5	27.25	12	G ¾	-	-	-	-	58	27	-
13	93.1	109.1			32.5	14	G ½	13.7	NPT ½	13.2	Rc ½	65	27	10
	99.6	115.6	60	74	37	16	G ¾	14	NPT ¾	-	-	65	32	
20	102.1	122.6	60	74	37.5	18	G 1	16.8	NPT 1	-	-	80	41	10
	106.6	127.1			46	18	G 1	16.8	NPT 1	16.8	Rc 1	95	41	
25	111.6	136.6	70	85	46	20	G 1¼	17.3	NPT 1¼	19.1	Rc 1¼	95	50	15

DTS 1000152082 EN Version: O Status: RL (released | freigegeben | valide) printed: 01.12.2021


DN	A	B	C	D	E	G		NPT		Rc		L	SW	N
						F1	G1	F2	G2	F3	G3			
40 <sup>1.)</sup>	120.1	145.1	99	114	61	20	G 1¼	17.3	NPT 1¼	19.1	Rc 1¼	126	50	23
40	125.6	155.6			22	G 1½	NPT 1½		Rc 1½		126		60	
	131.6	166.6			64	G 2	17.6	NPT 2	23.4	Rc 2	132	70		
50 <sup>1.)</sup>	119.9	154.9	115	132	82	24	G 2	17.6	NPT 2	23.4	Rc 2	164	70	37
	119.6	162.1			89.5	27	G 2½						23.6	

1.) Only brass threaded port version

2.) Only stainless steel threaded port version

## 8. Ordering information

### 8.1. Bürkert eShop – Easy ordering and quick delivery




**Bürkert eShop – Easy ordering and fast delivery**

You want to find your desired Bürkert product or spare part quickly and order directly? Our online shop is available for you 24/7. Sign up and enjoy all the benefits.

[Order online now](#)

### 8.2. Bürkert product filter



**Bürkert product filter – Get quickly to the right product**

You want to select products comfortably based on your technical requirements? Use the Bürkert product filter and find suitable articles for your application quickly and easily.

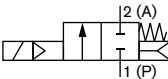
[Try out our product filter](#)

### 8.3. Ordering chart

#### Standard version with brass body

**Note:**

Please note that the cable plug has to be ordered separately, see [“8.4. Ordering chart accessories” on page 16](#) or separate datasheet [Type 2518](#) ▶.

Circuit function	Port connection	Orifice	K <sub>v</sub> value water	Pressure range	Weight	Article no. per voltage/frequency [V/Hz]		
		[mm]	[m <sup>3</sup> /h]	[bar]	[kg]	024/DC	024/50 - 60	230/50 - 60
<b>Seal material NBR, polyamide coil, medium temperature - 10 °C... + 80 °C</b>								
<b>A, solenoid valve</b> 2/2 way Servo-controlled Normally closed  	G ¼	10	1.5	0.2...16	0.43	322499	322500	322501
	G ¾	10	1.9	0.2...16	0.40	322502	322503	322504
	G ¾	13	3.8	0.2...16	0.58	221841	221842	221843
	G ½	13	3.8	0.2...16	0.54	221844	221845	221846
	G ¾	13	3.8	0.2...16	0.59	221847	221848	221849
	G ¾	20	8.5	0.2...16	0.89	221850	221851	221852
	G 1	20	8.5	0.2...16	1.0	221853	221854	221855
	G 1	25	12	0.2...16	1.3	221856	221857	221858
	G 1¼	25	12	0.2...16	1.5	221859	221860	221861
	G 1¼	40	23	0.2...16	2.7	270131	268550	270132
	G 1½	40	30	0.2...16	3.0	221862	221863	221864
	G 2	40	30	0.2...16	3.2	221865	221866	221867
	G 2	50	40	0.2...16	4.5	253156	253157	253158
G 2½	50	40	0.2...16	5.2	253159	253160	253161	

DTS 1000152082 EN Version: O Status: RL (released | freigegeben | valide) printed: 01.12.2021