

**rotork**<sup>®</sup>  
Instruments

## Air Preparation

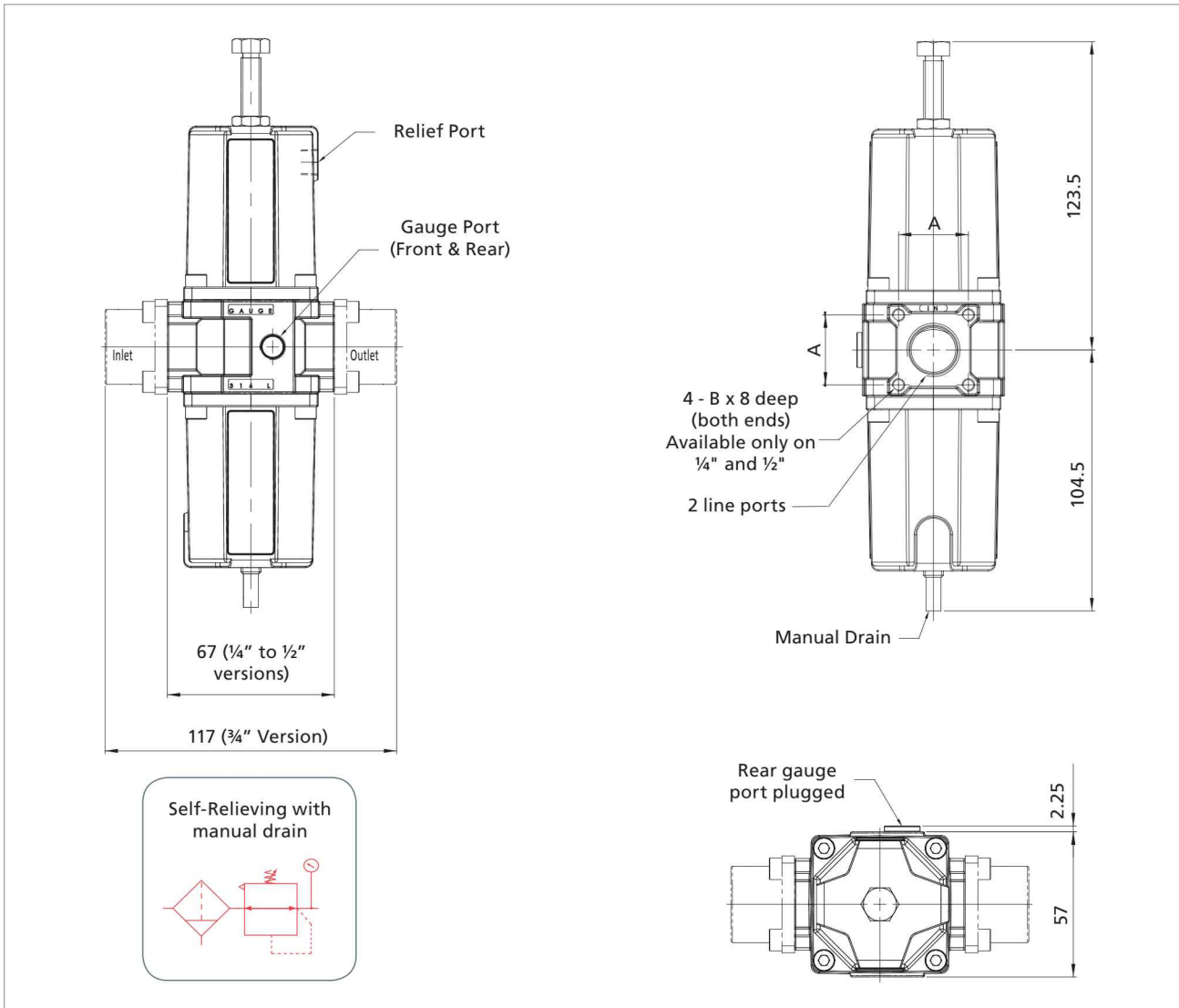
Regulators, Pressure Regulators, Lubricators and Accessories



**MIDLAND-ACS**  
A rotork<sup>®</sup> Brand

Keeping the World Flowing

# 3550 Series air service units – 1/4" to 3/4" Filter Regulators - Engineering drawings (manual drain)



Standard Product Code	Low Temperature Version	Size	Filter	Regulated Pressure bar (psi)	Max Inlet Pressure bar	A	B	Weight kg	Cv
2FRMSV022A	2FRMSF022A	1/4"	Manual Drain	0.50 to 2.0 (7.2 to 29)	20	24	M4	1.75	2.4
4FRMSV022A	4FRMSF022A	1/2"				28	M5	1.75	4.4
6FRMSV022A	6FRMSF022A	3/4"				-	-	1.95	5.0
2FRMSV042A	2FRMSF042A	1/4"	Manual Drain	0.50 to 4.0 (7.2 to 58)	20	24	M4	1.75	2.4
4FRMSV042A	4FRMSF042A	1/2"				28	M5	1.75	4.4
6FRMSV042A	6FRMSF042A	3/4"				-	-	1.95	5.0
2FRMSV082A	2FRMSF082A	1/4"	Manual Drain	0.50 to 8.0 (7.2 to 116)	20	24	M4	1.75	2.4
4FRMSV082A	4FRMSF082A	1/2"				28	M5	1.75	4.4
6FRMSV082A	6FRMSF082A	3/4"				-	-	1.95	5.0
2FRMSV122A	2FRMSF122A	1/4"	Manual Drain	0.50 to 12.0 (7.2 to 174)	20	24	M4	1.75	2.4
4FRMSV122A	4FRMSF122A	1/2"				28	M5	1.75	4.4
6FRMSV122A	6FRMSF122A	3/4"				-	-	1.95	5.0

5 micron option available - suffix product code with '05'. 1/4" NPT gauge port option available - suffix product code with 'X'  
 If ATEX certification is required suffix product code with 'ATEX'