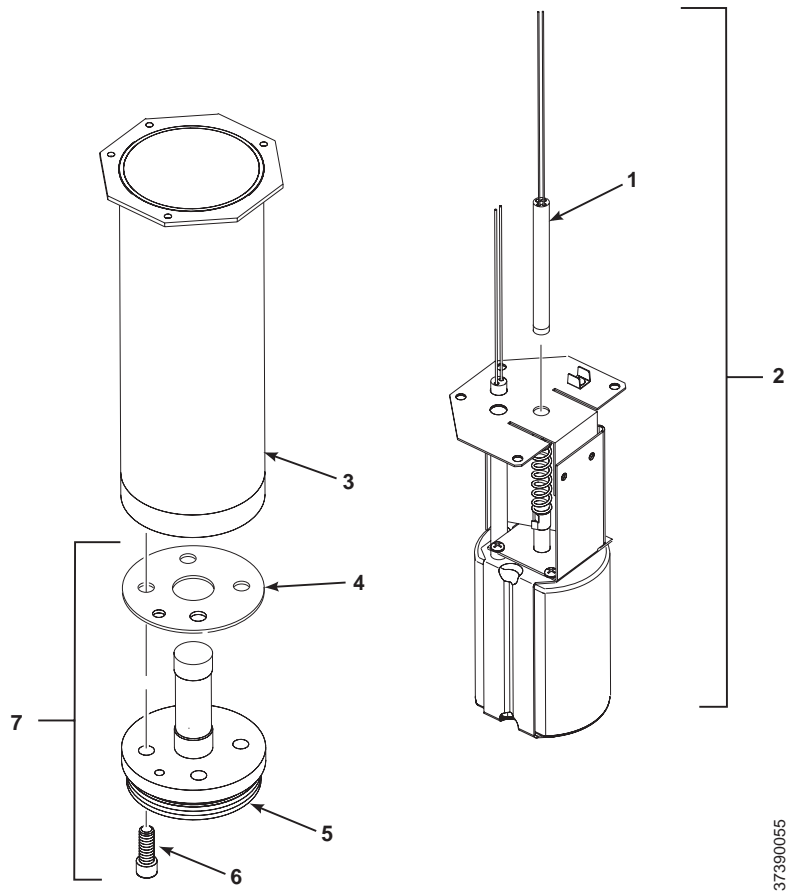


**O<sub>2</sub> CELL AND HEATER STRUT ASSEMBLY**

Figure 10-5. O<sub>2</sub> Cell and Heater Strut Assembly



Index No.	Part Number	Description
1	4851B44G01	Contact and Thermocouple Assembly
2	5R10211G02	Heater Strut Assembly
3	Ref	Heater Tube
4	Ref	Gasket (part of O <sub>2</sub> Cell Replacement Kit, item 7)
5	Ref	O <sub>2</sub> Cell (part of O <sub>2</sub> Cell Replacement Kit, item 7)
6	Ref	Screw (part of O <sub>2</sub> Cell Replacement Kit, item 7)
7	4851B45G01	O <sub>2</sub> Cell Replacement Kit, Standard Sensing Cell
	4851B45G03	O <sub>2</sub> Cell Replacement Kit, High Sulfur Cell